



Iris um Oifig Maoine Intleachtúla na hÉireann
Journal of the Intellectual Property Office of Ireland

Iml. 99

Cill Chainnigh 10 April 2024

Uimh. 2513

CLÁR INNSTE

Cuid I		Cuid II	
Paitinní	Leath	Trádmharcanna	Leath
Official Notice	2515	Official Notice	638
Applications for Patents	2516	Applications for Trade Marks	639
Applications Published	2520	Oppositions under Section 43	685
Patents Granted	2520	Application(s) Amended	685
European Patents Granted	2521	Application(s) Amended following	686
Applications Withdrawn, Deemed Withdrawn or Refused	2660	Opposition	
Request for Grant of Supplementary Protection Certificate	2661	Application(s) Withdrawn and Deemed Withdrawn	686
Supplementary Protection Certificate Granted	2662	Trade Marks Registered	686
Application for Extension of the Duration of a Supplementary Protection Certificate	2662	Trade Marks Renewed	687
Errata	2663	International Registrations under the Madrid Protocol seeking protection in the State	689
		Cancellations effected for the following goods/services under the Madrid protocol	700
Dearachtaí			
Designs Information under the 2001 Act			
Designs Registered	2664		

The Journal of the Intellectual Property Office of Ireland is published fortnightly.

Each issue is freely available to view or download from our website at
www.ipoi.gov.ie

© *Rialtas na hÉireann, 2024*

© *Government of Ireland, 2024*

Iris um Oifig Maoine Intleachtúla na hÉireann
Journal of the Intellectual Property Office of Ireland

Cuid I

Paitinní agus Dearachtaí

No. 2513

Wednesday, 10 April, 2024

NOTE: *The office does not guarantee the accuracy of its publications nor undertake any responsibility for errors or omissions or their consequences.*

In this Part of the Journal, a reference to a section is to a section of the Patents Act, 1992 unless otherwise stated.

Official Notice

Patent Rules 1992 – Rule 77, – Office Closure

The Intellectual Property office of Ireland (IPOI) will be closed for the transaction of business on the following dates:
Monday 06th May 2024.

Applications for Patents From 01/03/2024 to 21/03/2024

The names of applicants are in alphabetical order. In the case of joint applicants, each name is given independently. The title of the invention should not be regarded as an exhaustive indication of the subject-matter. The date immediately following the title is that on which the application was filed; in the case of a divisional application, the filing date of the earlier application is added within parentheses. Where an application has been filed pursuant to Section 127A, the filing date shall be either the date of the originating PCT filing, where applicable, or the date directed by the Controller. Where the application invokes the Paris Convention, the Convention country and priority date(s) claimed are given in square brackets. Where an application claimed the priority of an earlier application filed at this Office, this information is given within the square brackets. The number is that of the application and should be used for correspondence purposes up to the date of grant of a patent. The letter S preceding the number indicates that the application is for a short-term patent. A new number will be given when a patent is granted and this new number should be quoted in all correspondence subsequent to grant.

ACCORA LIMITED Chair 12 March 2024 [United Kingdom-16 March 2023]	20240124
ACCORA LIMITED Lateral Support Assembly for a Chair 12 March 2024 [United Kingdom-16 March 2023 United Kingdom-04 August 2023]	20240125
CHENGDU ENGINEERING CORPORATION LIMITED, POWER CONSTRUCTION CORPORATION OF CHINA; SHIJIAZHUANG TIEDAO UNIVERSITY Early Warning Method And System For Derailment Of Tunnel Construction Rail Car 19 March 2024	S20240137
CHENGDU ENGINEERING CORPORATION LIMITED, POWER CONSTRUCTION CORPORATION OF CHINA; SHIJIAZHUANG TIEDAO UNIVERSITY PORTABLE WEAR MEASURING APPARATUS FOR TBM DISC CUTTER 19 March 2024	S20240138
CHINA UNIVERSITY OF PETROLEUM(EAST CHINA); QINGDAO METRO OPERATION CO., LTD COMPREHENSIVE ENERGY-SAVING CONTROL METHOD AND DEVICE FOR TRAFFIC SCHEDULING OF URBAN RAIL MULTI-TRAIN UNDER COMPLEX WORKING CONDITIONS 18 March 2024	S20240143
CHONGQING JIAOTONG UNIVERSITY An anchoring device and method applicable for testing the tensile performance of Ultra-High Performance Concrete (UHPC) 08 March 2024 [China-23 February 2024]	S20240129
D'ARCY CATHAL Specialist Building Energy Rating Software 05 March 2024	S20240127
DOHERTY, NOEL Road Monitoring System 15 March 2024	S20240135

FLEMING-AGRI PRODUCTS Contour Flotation Linkage Mechanism 20 March 2024	S20240147
GUANGXI LAND AND RESOURCES PLANNING AND DESIGN GROUP CO., LTD A semi-aqueous-based pavement repair agent for repairing the structural depth of old asphalt pavements and its method of use 18 March 2024	S20240145
INNER MONGOLIA UNIVERSITY OF TECHNOLOGY ABRASIVE PARTICLE POLISHING APPARATUS 14 March 2024	S20240131
INNER MONGOLIA UNIVERSITY OF TECHNOLOGY ADDITIVE SOLIDIFICATION AND COMPACTION DEVICE 14 March 2024	S20240132
INNER MONGOLIA UNIVERSITY OF TECHNOLOGY CUTTING DEVICE FOR ADDITIVE MANUFACTURING 14 March 2024	S20240133
INSTITUTE OF OCEANOLOGY, CHINESE ACADEMY OF SCIENCE A data processing system for multi parameter ocean profile measurement using a moving vessel profiler 06 March 2024	S20240122
MORAN BENJAMIN Future disruption routing optimisation software 11 March 2024	S20240128
NASS MEDIA Wall mount for visual display unit 21 March 2024 [United Kingdom-28 March 2023]	20240148
PETER GUTMANN Cast-in Soffit Connection Rail 18 March 2024 [Australia-01 April 2023]	S20240142
QINGDAO METRO OPERATION CO., LTD; CHINA UNIVERSITY OF PETROLEUM(EAST CHINA) COMPREHENSIVE ENERGY-SAVING CONTROL METHOD AND DEVICE FOR TRAFFIC SCHEDULING OF URBAN RAIL MULTI-TRAIN UNDER COMPLEX WORKING CONDITIONS 18 March 2024	S20240143
SERHIENKO IEVGEN; SERHIENKO SERHII; SERHIENKO MAXSYM Screen for creating three-dimensional images visible over the entire range of viewing angles. 01 March 2024	20240126
SERHIENKO MAXSYM; SERGIENKO IEVGEN; SERHIENKO SERHII Screen for creating three-dimensional images visible over the entire range of viewing angles. 01 March 2024	20240126

SERHIENKO SERHII; SERGIENKO IEVGEN; SERHIENKO MAXSYM Screen for creating three-dimensional images visible over the entire range of viewing angles. 01 March 2024	20240126
SHAOGUAN UNIVERSITY DETECTOR AND DETECTION METHOD FOR THICKNESS OF MATERIAL LAYER OF SINTERING TROLLEY 15 March 2024 [China-05 February 2024]	S20240136
SCHOOL OF ELECTRICAL ENGINEERING XI'AN JIAOTONG UNIVERSITY; ZHEJIANG UNIVERSITY; STATE GRID JIANGXI ELECTRIC POWER COMPANY; STATE GRID SHANDONG ELECTRIC POWER RESEARCH INSTITUTE; STATE GRID XINJIANG ELECTRIC POWER COMPANY A multi-task monitoring method for power IoT terminals, power IoT terminals, and media 18 March 2024	S20240141
SHIJIAZHUANG TIEDAO UNIVERSITY; CHENGDU ENGINEERING CORPORATION LIMITED, POWER CONSTRUCTION CORPORATION OF CHINA Early Warning Method And System For Derailment Of Tunnel Construction Rail Car 19 March 2024	S20240137
SHIJIAZHUANG TIEDAO UNIVERSITY; CHENGDU ENGINEERING CORPORATION LIMITED, POWER CONSTRUCTION CORPORATION OF CHINA PORTABLE WEAR MEASURING APPARATUS FOR TBM DISC CUTTER 19 March 2024	S20240138
STATE GRID JIANGXI ELECTRIC POWER COMPANY; SCHOOL OF ELECTRICAL ENGINEERING XI'AN JIAOTONG UNIVERSITY; ZHEJIANG UNIVERSITY; STATE GRID SHANDONG ELECTRIC POWER RESEARCH INSTITUTE; STATE GRID XINJIANG ELECTRIC POWER COMPANY A multi-task monitoring method for power IoT terminals, power IoT terminals, and media 18 March 2024	S20240141
STATE GRID SHANDONG ELECTRIC POWER RESEARCH INSTITUTE; STATE GRID JIANGXI ELECTRIC POWER COMPANY; SCHOOL OF ELECTRICAL ENGINEERING XI'AN JIAOTONG UNIVERSITY; ZHEJIANG UNIVERSITY; STATE GRID XINJIANG ELECTRIC POWER COMPANY A multi-task monitoring method for power IoT terminals, power IoT terminals, and media 18 March 2024	S20240141

STATE GRID XINJIANG ELECTRIC POWER COMPANY; STATE GRID SHANDONG ELECTRIC POWER RESEARCH INSTITUTE; STATE GRID JIANGXI ELECTRIC POWER COMPANY; SCHOOL OF ELECTRICAL ENGINEERING XI'AN JIAOTONG UNIVERSITY ZHEJIANG UNIVERSITY; A multi-task monitoring method for power IoT terminals, power IoT terminals, and media 18 March 2024	S20240141
TAIZHOU UNIVERSITY A copper-coated carbon nanotube reinforced copper-based composite material and its preparation method 18 March 2024	S20240144
WANG JIARUI A method for synthesizing Pt single atoms loaded on molybdenum disulfide/reduced graphene oxide 20 March 2024 [China-14 August 2023]	S20240146
YANGTZE UNIVERSITY INTELLIGENT STERILE FUME HOOD 14 March 2024	S20240134
ZHEJIANG CHINESE MEDICAL UNIVERSITY Application Of Sarracenin In Preparing Medicine For Preventing And/Or Treating Liver Disease 19 March 2024	S20240139
ZHEJIANG CHINESE MEDICAL UNIVERSITY APPLICATION OF 8-O-DEBENZOYLPAEONIFLORIN IN PREPARATION OF MEDICINES FOR TREATING ASTHMA 19 March 2024	S20240140
ZHEJIANG UNIVERSITY FUNCTIONALLY-MODIFIED FLUORESCENT CARBON DOT AND PREPARATION METHOD AND APPLICATION THEREOF 14 March 2024	S20240130
ZHEJIANG UNIVERSITY; SCHOOL OF ELECTRICAL ENGINEERING XI'AN JIAOTONG UNIVERSITY; STATE GRID JIANGXI ELECTRIC POWER COMPANY; STATE GRID SHANDONG ELECTRIC POWER RESEARCH INSTITUTE; STATE GRID XINJIANG ELECTRIC POWER COMPANY A multi-task monitoring method for power IoT terminals, power IoT terminals, and media 18 March 2024	S20240141
ZHUJIANG HOSPITAL OF SOUTHERN MEDICAL UNIVERSITY A tension-free repair patch for laparoscopic extraperitoneal inguinal hernia repair 07 March 2024	S20240123

Applications Published Under Section 28

The following applications become open to public inspection as from the date of this issue of the journal. The date given is the date of filing of the application or the earliest priority claimed.

2023 **S20230060** CHINA UNIVERSITY OF MINING AND TECHNOLOGY, Method for Acquiring Spatial Distribution Map of Farmland Soil Organic Carbon. 20 March 2023. Int. Cl. (2024.01) **G01N 33/00; G06F 17/00; G06V 20/00**

Patents Granted Under Section 34

The number of a patent is given in heavy type; the letter S preceding the number indicates a short-term patent. The code numbers following the title of each invention are those of the International Patent Classification. The date of filing the application follows the proprietor's name. The patent application number, which follows the date of application in parenthesis, has been superseded by the patent number. In the case of an application claiming the priority of an earlier application, the name of the country where the earlier application was made and the date of the earlier application are shown in square brackets.

By virtue of Section 65(3), the application relating to any short-term patent appearing in the following list whose date of filing is later than the date which is 18 months prior to the date of this issue of the Journal becomes open to public inspection as and from the date of this issue of the Journal.

S87493 Method for Acquiring Spatial Distribution Map of Farmland Soil Organic Carbon. Int. Cl. (2024.01) **G01N 33/00; G06F 17/00; G06V 20/00**. CHINA UNIVERSITY OF MINING AND TECHNOLOGY 20 March 2023 (S20230060) [China-10 October 2022]

87494 A door installation kit. Int. Cl. (2024.01) **E06B 1/00; E05D 7/00**. GREYWOOD CARPENTRY LTD 20 July 2020 (20200303) [United Kingdom-19 July 2019]

Patents Granted Under European Patent Convention Designating Ireland

The Irish serial number appears first followed, respectively, by the proprietor's name, the date of filing of the application, the filing number and the European Patent Office publication number.

If the specification of the European patent was published in French or German the word 'French' or 'German', as appropriate, will appear as the last item of information.

Grants Published in EPO Bulletin No. 11/24, dated 13th March 2024

1927065	Intel Corporation	21/09/2006	1927065	06815263.6	
2203159	INSTITUT NATIONAL DE LA SANTE ET DE LA RECHERCHE MEDICALE (INSERM) UNIVERSITE D'ANGERS	01/10/2008	2203159	08804965.5	
2260788	Straumann Holding AG	03/06/2005	2260788	10183177.4	
2339182	Samson Aktiengesellschaft KSB SE & Co. KGaA	16/12/2010	2339182	10015729.6	German
2375584	Qualcomm Incorporated	16/11/2005	2375584	11162400.3	
2386845	Nordson Corporation	14/05/2010	2386845	10250925.4	
2414208	ALSTOM Holdings	30/03/2010	2414208	10742870.8	German
2462003	Adient US LLC	04/08/2010	2462003	10807103.6	
2482109	Diamond SA	02/01/2012	2482109	12150005.2	German
2542881	Robert Bosch GmbH	26/01/2011	2542881	11702594.0	German
2625449	Danfoss A/S	05/10/2011	2625449	11770328.0	
2638516	Google LLC	10/11/2011	2638516	11839126.7	
2650551	Aktiebolaget SKF	12/04/2013	2650551	13163472.7	German
2667749	CareFusion 303, Inc.	23/01/2012	2667749	12739343.7	
2669904	SVM Schultz Verwaltungs-GmbH & Co. KG	23/05/2013	2669904	13168937.4	German
2679986	The Boeing Company	17/04/2013	2679986	13164160.7	
2689628	Nokia Technologies Oy	21/03/2011	2689628	11861437.9	
2691455	DuPont Specialty Products USA, LLC	30/03/2012	2691455	12730072.1	
2694207	Dow Global Technologies LLC	01/04/2011	2694207	11713631.7	
2703798	Safran Landing Systems	09/08/2013	2703798	13179875.3	French
2730832	VAN HOOL, naamloze vennootschap	13/11/2013	2730832	13192751.9	
2757570	Canon Kabushiki Kaisha	07/01/2014	2757570	14150315.1	
2758766	MSA Technology, LLC	12/09/2012	2758766	12775873.8	
2766088	Cortigent, Inc.	03/10/2012	2766088	12783378.8	

*(10/04/2024)**Journal of the Intellectual Property Office of Ireland**(No. 2513)*

2773267	Seno Medical Instruments, Inc.	02/11/2012	2773267	12846496.3	
2785798	Oterra A/S	28/11/2012	2785798	12791770.6	
2798512	Microsoft Technology Licensing, LLC	19/12/2012	2798512	12861882.4	
2809695	Dow Global Technologies LLC	01/02/2013	2809695	13704691.8	
2836064	Vivi B.V.	09/04/2013	2836064	13720101.8	
2839433	NEW YORK UNIVERSITY	19/04/2013	2839433	13778708.1	
2896423	University of Utah Research Foundation	21/01/2015	2896423	15151981.6	
2896889	BSH Hausgeräte GmbH	14/01/2015	2896889	15151134.2	German
2897749	Nuovo Pignone Tecnologie - S.r.l.	19/09/2013	2897749	13763098.4	
2899652	dSPACE GmbH	22/01/2014	2899652	14152109.6	German
2901854	Schwendinger, Markus	23/01/2015	2901854	15000184.0	German
2904992	Zours, Peter	16/01/2015	2904992	15151495.7	German
2905724	Tata Consultancy Services Limited	05/02/2015	2905724	15154024.2	
2915224	Smiths Interconnect Americas, Inc.	01/11/2013	2915224	13850584.7	
2916392	WESTERN DIGITAL TECHNOLOGIES, INC.	04/03/2015	2916392	15157645.1	
2916973	Wilson Tool International Inc.	05/11/2013	2916973	13799144.4	
2926948	OFFICINA MECCANICA DOMASO S.p.A.	01/04/2014	2926948	14163070.7	German
2933160	Tata Consultancy Services Limited	12/02/2015	2933160	15154889.8	
2943506	Genmab B.V.	10/01/2013	2943506	13700218.4	
2947265	Schlumberger Technology B.V.	20/05/2014	2947265	14290149.5	
2948758	The General Hospital Corporation	28/01/2014	2948758	14743215.7	
2970507	Spogen Biotech Inc.	17/03/2014	2970507	14763028.9	
2983470	Versea Health, Inc.	10/04/2014	2983470	14782546.7	
2986971	NowDiagnostics, Inc.	24/06/2014	2986971	14755915.7	
3004138	Bausch Health Ireland Limited	05/06/2014	3004138	14735048.2	
3008204	Iogenetics, LLC.	09/06/2014	3008204	14810932.5	
3008238	Covestro (Netherlands) B.V.	10/06/2014	3008238	14728998.7	
3013210	The City University	26/06/2014	3013210	14761958.9	
3019240	Annexon, Inc.	09/07/2014	3019240	14822371.2	
3024551	L'OREAL	25/07/2014	3024551	14744317.0	
3024711	HITACHI RAIL STS USA, INC.	24/07/2014	3024711	14829720.3	
3033324	Sun Chemical Corporation	08/07/2014	3033324	14836326.0	
3035681	Sony Interactive Entertainment Inc.	08/12/2015	3035681	15198388.9	

*(10/04/2024)**Journal of the Intellectual Property Office of Ireland**(No. 2513)*

3036152	QUADROFOIL, PROIZVODNJA IN STORITVE, D.O.O.	14/08/2014	3036152	14795692.4	
3038824	Alpha Assembly Solutions Inc.	29/08/2014	3038824	14841100.2	
3041418	Samsung Electronics Co., Ltd.	04/09/2014	3041418	14842154.8	
3042873	ORONA S. COOP.	02/10/2015	3042873	15382480.0	
3046603	ICU Medical, Inc.	19/09/2014	3046603	14845691.6	
3047839	Shofu Inc.	19/01/2016	3047839	16151826.1	
3048406	Mitsubishi Electric Corporation	16/09/2014	3048406	14846663.4	
3052233	Hahn-Schickard-Gesellschaft für angewandte Forschung e.V.	19/09/2014	3052233	14772107.0	German
3053880	LG Chem, Ltd.	30/09/2014	3053880	14849633.4	
3055447	Sillectra GmbH	08/10/2014	3055447	14781229.1	German
3060284	3M Innovative Properties Company	20/10/2014	3060284	14792958.2	
3065184	Maxeon Solar Pte. Ltd.	29/04/2009	3065184	16165135.1	
3065721	Sublimity Therapeutics Limited	07/11/2014	3065721	14795634.6	
3068499	3M Innovative Properties Company	11/11/2014	3068499	14803024.0	
3069373	Micromass UK Limited	11/11/2014	3069373	14799849.6	
3071162	The Burton Corporation	21/11/2014	3071162	14819149.7	
3076871	IMEC VZW	03/12/2014	3076871	14809356.0	
3079110	Carrier Corporation	24/03/2016	3079110	16162228.7	
3079601	Innovative Trauma Care, Inc.	11/12/2014	3079601	14869950.7	
3096357	Intel Corporation	07/12/2010	3096357	16172290.5	
3096808	Fresenius Medical Care Deutschland GmbH	21/01/2015	3096808	15700731.1	German
3098756	Accenture Global Services Limited	30/05/2016	3098756	16171901.8	
3108903	Swingtec GmbH	21/06/2016	3108903	16001397.5	German
3118520	Cascade Designs, Inc.	07/08/2006	3118520	16181257.3	
3119281	Bundesdruckerei GmbH	19/03/2015	3119281	15712835.6	German
3120010	Scania CV AB	17/03/2015	3120010	15765094.6	
3121648	Funai Electric Co., Ltd.	15/04/2009	3121648	16187588.5	
3122209	Koninklijke Philips N.V.	24/03/2015	3122209	15715851.0	
3134201	Suzhou Skywell Healthcare Information Co., Ltd.	20/04/2015	3134201	15717171.1	German
3134213	Separation Technologies LLC	24/04/2014	3134213	14729521.6	
3134811	Oracle International Corporation	22/04/2015	3134811	15771741.4	
3136969	Samsung Electronics Co., Ltd.	22/04/2015	3136969	15786291.3	

(10/04/2024)

Journal of the Intellectual Property Office of Ireland

(No. 2513)

3138630	Hyundai Motor Company Kia Corporation Ajou University Industry-Academic Cooperation Foundation and Technology	10/05/2016	3138630	16168950.0	
3145943	SEDERMA	21/05/2015	3145943	15732391.6	
3147356	Tokyo Institute of Technology	19/05/2015	3147356	15795718.4	
3148416	University of Cincinnati	28/05/2015	3148416	15799514.3	
3150831	Hitachi Astemo, Ltd.	22/04/2015	3150831	15798822.1	
3152371	GRIDESIC HOLDINGS LIMITED	03/06/2015	3152371	15729558.5	
3152644	ATLAS ELEKTRONIK GmbH	20/04/2015	3152644	15742174.4	German
3153228	Mitsubishi Chemical Corporation	02/06/2015	3153228	15803673.1	
3154889	KONE Corporation	12/06/2014	3154889	14894246.9	
3156227	Nippon Sheet Glass Company, Limited	03/06/2015	3156227	15803607.9	
3157468	Edwards Lifesciences Corporation	19/06/2015	3157468	15801664.2	
3158424	Huawei Technologies Co. Ltd.	25/06/2015	3158424	15822666.2	
3158575	Synopsys, Inc.	23/06/2015	3158575	15810985.0	
3160964	Nogra Pharma Limited	26/06/2015	3160964	15732245.4	
3163742	Mitsubishi Electric Corporation	04/08/2015	3163742	15894509.7	
3164101	Isys Medizintechnik GmbH	03/07/2015	3164101	15745145.1	German
3167269	NANOTECH ANALYSIS S.R.L.	02/07/2015	3167269	15751080.1	
3167270	NANOTECH ANALYSIS S.R.L.	02/07/2015	3167270	15753766.3	
3168936	Lexmark International, Inc.	19/06/2013	3168936	16203943.2	
3170030	Shearwater Geoservices Software Inc.	15/07/2015	3170030	15822526.8	
3171794	Western Clinical Engineering, Ltd.	20/05/2015	3171794	15825397.1	
3172248	SABIC Global Technologies B.V.	23/07/2015	3172248	15741196.8	
3172375	Satisloh AG	20/07/2015	3172375	15753392.8	French
3174113	Samsung Electronics Co., Ltd.	27/10/2016	3174113	16195944.0	
3175766	Miele & Cie. KG	29/11/2016	3175766	16201147.2	German
3177033	Bose Corporation	27/06/2007	3177033	17152358.2	
3179310	Konica Minolta, Inc.	28/11/2016	3179310	16200877.5	
3180903	Husqvarna AB	10/08/2015	3180903	15754296.0	
3181088	Covidien LP	16/12/2016	3181088	16204707.0	
3182920	Koninklijke Philips N.V. Philips Image Guided Therapy Corporation	10/08/2015	3182920	15772012.9	
3189003	Bartec Benke GmbH	20/08/2015	3189003	15753900.8	German

(10/04/2024)

Journal of the Intellectual Property Office of Ireland

(No. 2513)

3189338	Panduit Corp.	03/09/2015	3189338	15766309.7	
3191005	Research Development Foundation	11/09/2015	3191005	15771355.3	
3191027	Mitral Valve Technologies Sàrl	11/09/2015	3191027	15840418.6	
3191302	MCT Holdings LTD	13/03/2015	3191302	15839759.6	
3192978	Rolls-Royce Engine Services-Oakland Inc.	13/01/2017	3192978	17151332.8	
3194410	Bauch, Christian	07/09/2015	3194410	15805099.7	German
3196855	Ecolab USA Inc.	25/05/2010	3196855	17159499.7	
3199197	BOE Technology Group Co., Ltd.	20/01/2015	3199197	15722431.2	
3200010	Hoya Lens Thailand Ltd.	24/09/2015	3200010	15845270.6	
3201061	Harsco Technologies LLC	02/10/2015	3201061	15845620.2	
3203140	Audi AG	31/01/2017	3203140	17154052.9	German
3203925	Devicor Medical Products, Inc.	08/10/2015	3203925	15787352.2	
3204149	Smartflow Technologies, Inc.	12/08/2015	3204149	15849430.2	
3204598	Tendeka AS	06/10/2015	3204598	15775446.6	
3206023	University of Florida Research Foundation, Inc.	12/12/2008	3206023	17164764.7	
3206314	ZTE Corporation	10/08/2015	3206314	15859061.2	
3207543	InterDigital Madison Patent Holdings, SAS	12/10/2015	3207543	15778666.6	
3212901	The Chemours Company FC, LLC	09/10/2015	3212901	15794364.8	
3212939	SKYX PLATFORMS CORP.	30/09/2015	3212939	15846948.6	
3215595	ZIEMANN HOLVRIEKA GmbH	02/11/2015	3215595	15791555.4	German
3215805	Trutag Technologies, Inc.	23/10/2015	3215805	15856966.5	
3215981	Qualcomm Incorporated	06/11/2015	3215981	15795312.6	
3217156	Oppl Lighting Co., Ltd.	14/06/2016	3217156	16817131.2	
3219795	BioMarin Pharmaceutical Inc.	16/01/2009	3219795	16203748.5	
3225195	Ethicon LLC	31/03/2017	3225195	17164317.4	
3225490	TOYOTA JIDOSHA KABUSHIKI KAISHA	20/03/2017	3225490	17161747.5	
3227892	General Electric Company Medi-Physics, Inc.	04/12/2015	3227892	15804813.2	
3228986	Hexagon Technology Center GmbH	05/05/2014	3228986	16202710.6	
3229553	Huawei Technologies Co. Ltd.	31/12/2014	3229553	14909504.4	
3229918	Henkel AG & Co. KGaA	13/11/2015	3229918	15794191.5	German
3229919	Henkel AG & Co. KGaA	13/11/2015	3229919	15794192.3	German
3230806	LVMH Swiss Manufactures SA	09/12/2015	3230806	15805539.2	

*(10/04/2024)**Journal of the Intellectual Property Office of Ireland**(No. 2513)*

3233891	Cytiva BioProcess R&D AB	11/12/2015	3233891	15822919.5	
3233892	Cytiva BioProcess R&D AB	11/12/2015	3233892	15822920.3	
3236249	Joint Stock Company "Akme-Engineering"	16/11/2015	3236249	15870437.9	
3236757	Marel Iceland EHF	22/12/2015	3236757	15813084.9	
3242621	Koninklijke Philips N.V.	04/01/2016	3242621	16700034.8	
3245496	Advion, Inc.	12/01/2016	3245496	16737718.3	
3248144	Microsoft Technology Licensing, LLC	15/01/2016	3248144	16702471.0	
3248462	Ablexis, LLC	31/03/2011	3248462	17178088.5	
3248597	Keio University	13/01/2016	3248597	16740038.1	
3252091	Sika Technology AG	30/05/2016	3252091	16172038.8	German
3258455	Aptiv Technologies Limited	31/05/2017	3258455	17173731.5	
3259611	Teradyne, Inc.	19/02/2016	3259611	16753130.0	
3260841	Uponor Oyj	22/06/2016	3260841	16175687.9	
3262075	Mogam Institute For Biomedical Research	29/12/2015	3262075	15883495.2	
3263626	Shin-Etsu Chemical Co., Ltd.	05/04/2017	3263626	17000567.2	
3269241	Amazonen-Werke H. Dreyer SE & Co. KG	05/07/2017	3269241	17401073.6	German
3271715	Waters Technologies Corporation	16/03/2016	3271715	16765620.6	
3273286	Valeo Comfort and Driving Assistance	20/07/2017	3273286	17182374.3	French
3274881	Intel Corporation	09/02/2016	3274881	16769209.4	
3275182	Huawei Technologies Co., Ltd.	09/09/2016	3275182	16843678.0	
3275548	Asahi Kasei Kabushiki Kaisha	24/03/2016	3275548	16768867.0	
3276089	Sumitomo (S.H.I.) Construction Machinery Co., Ltd.	18/03/2016	3276089	16772421.0	
3278168	Imagine Optic	23/03/2016	3278168	16716491.2	French
3278841	Zodiac Aerotechnics	05/07/2017	3278841	17179885.3	French
3280137	AISIN CORPORATION	29/03/2016	3280137	16772865.8	
3281579	Biosense Webster (Israel) Ltd.	09/08/2017	3281579	17185489.6	
3282246	Hugo Vogelsang Maschinenbau GmbH	11/08/2017	3282246	17185896.2	German
3282284	Aptiv Technologies Limited	31/07/2017	3282284	17184001.0	
3282919	Ecolab USA Inc.	15/04/2016	3282919	16780854.2	
3283891	CNRS Centre National de la Recherche Scientifique Université Paris-Saclay École Supérieure d'Électricité	07/04/2016	3283891	16721874.2	French

(10/04/2024)

Journal of the Intellectual Property Office of Ireland

(No. 2513)

3286429	The Noco Company	10/02/2017	3286429	17750799.3	
3288023	BlackBerry Limited	08/08/2017	3288023	17185412.8	
3288335	Huawei Technologies Co., Ltd.	31/08/2015	3288335	15902552.7	
3290384	Van Halteren Technologies Bostel B.V.	19/04/2017	3290384	17167050.8	German
3291028	Lenze Drives GmbH	08/08/2017	3291028	17185414.4	German
3291974	Fibroline Howa Tramico	02/05/2016	3291974	16727748.2	French
3293856	INTEL Corporation	30/06/2008	3293856	17196396.0	
3295146	6 Over 6 Vision Ltd	10/05/2016	3295146	16792278.0	
3295291	Siemens Industry Software Inc.	06/05/2016	3295291	16723897.1	
3297689	Zobebe Holding SpA	13/05/2016	3297689	16724348.4	
3304097	Siemens Energy Global GmbH & Co. KG	24/06/2016	3304097	16733913.4	German
3304517	Karma Automotive LLC	17/05/2016	3304517	16730547.3	
3304704	Robert Bosch GmbH	29/04/2016	3304704	16720399.1	German
3305534	Mimaki Engineering Co., Ltd.	27/09/2017	3305534	17193437.5	
3306096	Hitachi Industrial Equipment Systems Co., Ltd.	03/06/2015	3306096	15894189.8	
3306360	Osaka University	01/06/2016	3306360	16803395.9	
3308606	Beghelli S.p.A.	13/06/2016	3308606	16753994.9	
3308659	Republic Technologies (NA) LLC	17/10/2017	3308659	17196909.0	French
3310404	Hollister Incorporated	15/06/2016	3310404	16734097.5	
3311077	Fraunhofer-Gesellschaft zur Förderung der angewandten Forschung e.V.	21/06/2016	3311077	16730411.2	German
3313418	Cerus Corporation	24/06/2016	3313418	16738300.9	
3313420	The Children's Medical Center Corporation President and Fellows of Harvard College	24/06/2016	3313420	16815398.9	
3314488	Gambro Lundia AB	22/06/2016	3314488	16731586.0	
3317669	The University of Massachusetts	01/07/2016	3317669	16741744.3	
3318269	Chugh, Sumant S.	06/06/2011	3318269	17206254.9	
3318871	Zhejiang Geely Holding Group Co., Ltd. Zhejiang Geely Automobile Research Institute Co., Ltd.	20/09/2016	3318871	16848092.9	
3321686	Metabolon, Inc.	16/01/2014	3321686	17209399.9	

(10/04/2024)

Journal of the Intellectual Property Office of Ireland

(No. 2513)

3322050	Niterra Co., Ltd.	07/11/2017	3322050	17200369.1	
3323166	ZYMtronix, Inc.	08/07/2016	3323166	16824931.6	
3323404	YUYAMA MFG. CO., LTD.	22/03/2017	3323404	17770238.8	
3326889	JOSH IP III B.V.	29/11/2017	3326889	17204298.8	
3328416	BioMarin Pharmaceutical Inc.	01/08/2016	3328416	16750584.1	
3329402	Siemens Industry Software Inc.	19/07/2016	3329402	16744649.1	
3329562	Optipulse Inc.	29/07/2016	3329562	16831439.1	
3332425	SanDisk Technologies LLC	13/09/2016	3332425	16767505.7	
3334909	Cummins, Inc.	11/08/2016	3334909	16835931.3	
3337098	Seiko Epson Corporation	01/12/2017	3337098	17204991.8	
3337515	Aposense Ltd.	17/08/2016	3337515	16836749.8	
3338065	Ecolab USA Inc.	18/08/2016	3338065	16837814.9	
3338500	Samsung Electronics Co., Ltd.	26/09/2016	3338500	16849068.8	
3339646	MITSUBISHI HEAVY INDUSTRIES THERMAL SYSTEMS, LTD.	21/12/2017	3339646	17209864.2	
3339807	HERE Global B.V.	20/12/2016	3339807	16205344.1	
3340971	Zogenix International Limited	24/08/2016	3340971	16840062.0	
3341098	Sony Interactive Entertainment America LLC	16/09/2016	3341098	16778529.4	
3341931	Robert Bosch GmbH	27/06/2016	3341931	16732296.5	German
3342332	Samsung Electronics Co., Ltd.	28/12/2017	3342332	17210907.6	
3342541	Kawasaki Jukogyo Kabushiki Kaisha	27/05/2016	3342541	16838703.3	
3343172	iOnRoad Technologies Ltd.	03/01/2017	3343172	17150155.4	
3345289	Pierburg Pump Technology GmbH	04/09/2015	3345289	15759448.2	
3347247	Robert Bosch GmbH	15/07/2016	3347247	16741287.3	German
3347770	Canon Kabushiki Kaisha	12/08/2016	3347770	16843893.5	
3350188	Auckland Uniservices Limited	25/08/2016	3350188	16839685.1	
3352496	NTT DoCoMo, Inc.	23/09/2016	3352496	16848690.0	
3353606	Siemens Healthineers AG	22/09/2016	3353606	16777938.8	
3354234	Globus Medical, Inc.	23/01/2018	3354234	18153089.0	
3354688	Asahi Kasei Kabushiki Kaisha	20/09/2016	3354688	16848599.3	
3355731	Nicoventures Trading Limited	14/09/2016	3355731	16770301.6	
3356971	Koninklijke Philips N.V.	03/10/2016	3356971	16787567.3	
3356998	Fingerprint Cards Anacatum IP AB	26/09/2016	3356998	16852180.5	
3360320	MTT Innovation Incorporated Barco N.V.	06/10/2016	3360320	16852940.2	
3363930	Nemaska Lithium Inc.	30/05/2013	3363930	18160013.1	

*(10/04/2024)**Journal of the Intellectual Property Office of Ireland**(No. 2513)*

3364905	Covidien LP	20/10/2016	3364905	16858172.6	
3365032	Cleanco Bioscience Group, LLC	20/10/2016	3365032	16858222.9	
3365350	Quateris LLC	20/10/2016	3365350	16858194.0	
3367738	Nokia Solutions and Networks Oy	28/02/2017	3367738	17158358.6	
3367769	Krohne Messtechnik GmbH	08/02/2018	3367769	18155720.8	German
3368270	Gardner-Gibson, Inc.	26/10/2016	3368270	16860709.1	
3369816	Takeuchi, Hirofumi Toray Industries, Inc.	28/10/2016	3369816	16859995.9	
3370188	Tencent Technology (Shenzhen) Company Limited	17/04/2017	3370188	17785408.0	
3370776	Nutrition DNA Pty Ltd	05/11/2016	3370776	16861128.3	
3373713	Richview Electronics Co., Ltd.	23/11/2016	3373713	16861181.2	
3374918	Johnson Controls Tyco IP Holdings LLP	10/11/2016	3374918	16798928.4	
3375510	Bai, Hongmei	10/11/2016	3375510	16863669.4	
3376018	Kwang Yang Motor Co., Ltd.	30/01/2018	3376018	18154097.2	
3378287	Pierburg Pump Technology GmbH	18/11/2015	3378287	15797647.3	
3380882	Valeo Comfort and Driving Assistance	23/11/2016	3380882	16800970.2	French
3380934	Oracle International Corporation	18/11/2016	3380934	16806414.5	
3383704	Gentex Corporation	01/12/2016	3383704	16871490.5	
3385571	Kawasaki Jukogyo Kabushiki Kaisha	05/12/2016	3385571	16870856.8	
3386478	UAB "Probiosanus"	31/12/2015	3386478	15848140.8	
3386654	Taylor Commercial Foodservice, LLC	09/12/2016	3386654	16873991.0	
3390468	TotalEnergies OneTech Belgium	15/12/2016	3390468	16809443.1	
3390508	3M Innovative Properties Company	12/12/2016	3390508	16831545.5	
3392559	CRRC Qingdao Sifang Co., Ltd.	05/12/2016	3392559	16874752.5	
3392636	Mueller International, LLC	11/04/2018	3392636	18166849.2	
3393506	Valneva SE	23/12/2016	3393506	16826739.1	
3394942	Teledyne Instruments, Inc.	21/12/2016	3394942	16831600.8	
3395277	Biosense Webster (Israel) Ltd.	26/04/2018	3395277	18169440.7	
3395751	Dai Nippon Printing Co., Ltd.	21/12/2016	3395751	16878786.9	
3396517	Samsung Electronics Co., Ltd.	05/01/2017	3396517	17753357.7	
3397498	The Procter & Gamble Company	12/12/2016	3397498	16871760.1	
3397793	Tessengerlo Kerley, Inc.	16/12/2016	3397793	16882343.3	

3400025	The Trustees of Columbia University in the City of New York Hadasit Medical Research Services and Development Ltd. Ramot at Tel-Aviv University Ltd.	06/01/2017	3400025	17736394.2	
3400214	Theron Pharmaceuticals, Inc.	07/01/2017	3400214	17736492.4	
3401693	ABB Schweiz AG	08/05/2017	3401693	17169903.6	
3402358	Seirus Innovative Accessories, Inc.	13/01/2017	3402358	17739094.5	
3402465	Genmab A/S	13/01/2017	3402465	17702300.9	
3403115	Raytheon Company	22/08/2016	3403115	16766696.5	
3403218	Commissariat à l'Énergie Atomique et aux Énergies Alternatives	12/01/2017	3403218	17700292.0	French
3407385	NXP USA, Inc.	23/05/2017	3407385	17305609.4	
3407817	3Dmorphic PTY Ltd	25/01/2017	3407817	17743489.1	
3410084	Mitsubishi Materials Corporation	27/01/2017	3410084	17744396.7	
3411137	University of Washington	02/02/2017	3411137	17776081.6	
3412613	Otis Elevator Company	07/06/2017	3412613	17305671.4	
3412921	Hamilton Sundstrand Corporation	05/06/2017	3412921	17461546.8	
3413726	Société des Produits Nestlé S.A.	25/01/2017	3413726	17702046.8	
3417780	PST Corporation Inc. Mitsuyoshi, Shunji	27/01/2017	3417780	17750101.2	
3418221	Daifuku Co., Ltd.	15/02/2017	3418221	17753207.4	
3418236	Otis Elevator Company	22/06/2018	3418236	18179330.8	
3418376	Keio University Osaka University	17/02/2017	3418376	17753324.7	
3418944	CANON KABUSHIKI KAISHA	26/04/2018	3418944	18169612.1	
3419731	Hydrocon GmbH	25/01/2016	3419731	16705812.2	
3420514	nChain Licensing AG	14/02/2017	3420514	17706896.2	
3421502	Vomm Impianti e Processi S.P.A.	26/06/2018	3421502	18179818.2	
3422869	International Flavors & Fragrances Inc.	28/02/2017	3422869	17760593.8	
3424452	Stryker European Operations Holdings LLC	15/06/2018	3424452	18178063.6	
3428260	The Procter & Gamble Company	10/02/2011	3428260	18190335.2	
3428312	Samsung Display Co., Ltd.	13/06/2018	3428312	18177532.1	
3428591	Honeywell International Inc.	12/07/2018	3428591	18183185.0	
3428686	Veoneer Sweden AB Beamagine S.L.	14/07/2017	3428686	17181436.1	

*(10/04/2024)**Journal of the Intellectual Property Office of Ireland**(No. 2513)*

3429395	Nike Innovate C.V.	15/03/2017	3429395	17713566.2	
3430389	Waters Technologies Corporation	17/03/2017	3430389	17767589.9	
3430450	Leviton Manufacturing Co., Inc.	07/10/2016	3430450	16898857.4	
3430988	Omron Healthcare Co., Ltd.	11/04/2017	3430988	17782374.7	
3433061	Tyco Electronics (Shanghai) Co., Ltd. TE Connectivity Corporation	21/03/2017	3433061	17719918.9	
3437080	HEART SENTINEL S.R.L.	26/07/2016	3437080	16766604.9	
3437678	GC Corporation	25/01/2017	3437678	17773588.3	
3438076	Xi'an Crysten Materials Technology Corporation Limited	11/08/2017	3438076	17838815.3	
3440389	Huovila, Janne Johansson, Jörgen Rinamo, Kim	07/04/2016	3440389	16897798.1	
3441428	Mitsubishi Gas Chemical Company, Inc.	31/03/2017	3441428	17779058.1	
3441734	Commissariat à l'énergie atomique et aux énergies alternatives	02/08/2018	3441734	18187051.0	French
3441754	Mitsubishi Electric Corporation	23/01/2017	3441754	17778825.4	
3442436	University Of Maryland, Baltimore Harpoon Medical, Inc.	01/11/2016	3442436	16862793.3	
3442550	International N&H Denmark ApS	06/04/2017	3442550	17716507.3	
3442600	Research Institute at Nationwide Children's Hospital	14/04/2017	3442600	17783207.8	
3443353	Fundació Institut de recerca de l'Hospital de la Santa Creu i Sant Pau Consejo Superior De Investigaciones Científicas	12/04/2017	3443353	17717159.2	
3445230	Medidata Solutions, Inc.	19/04/2017	3445230	17786536.7	
3445989	BREMBO S.p.A.	19/04/2017	3445989	17726692.1	
3448559	IFP Energies nouvelles	20/03/2017	3448559	17710771.1	French
3449236	The Solubility Company Oy	28/04/2017	3449236	17725649.2	
3449844	Medos International Sarl	30/08/2018	3449844	18191773.3	
3450546	Takeda Pharmaceutical Company Limited	26/04/2017	3450546	17789739.4	
3450941	AViTA Corporation	31/08/2018	3450941	18191961.4	
3451191	Repsol, S.A. Petrabytes Corporation	29/08/2017	3451191	17382586.0	

(10/04/2024)

Journal of the Intellectual Property Office of Ireland

(No. 2513)

3452997	Soto, Manuel, A. Padula, Guillermo, H. Sensormatic Electronics, LLC	03/05/2017	3452997	17723851.6	
3454366	MediaTek Inc.	28/08/2018	3454366	18191242.9	
3454577	Harman International Industries, Incorporated	21/08/2018	3454577	18189891.7	
3455177	M. Swarovski Gesellschaft m.b.H.	08/05/2017	3455177	17726844.8	German
3455375	F. Hoffmann-La Roche AG	11/05/2017	3455375	17726561.8	
3456009	Macom Connectivity Solutions, LLC	03/06/2016	3456009	16901889.2	
3456178	Gradilis Recherche SARL	18/09/2017	3456178	17290119.1	
3457435	NXP B.V.	09/08/2018	3457435	18188251.5	
3458107	ModernaTX, Inc.	18/05/2017	3458107	17800205.1	
3458116	Spiber Technologies AB	16/05/2017	3458116	17725919.9	
3458943	BOE Technology Group Co., Ltd.	13/03/2017	3458943	17745118.4	
3459475	Ethicon LLC	21/07/2010	3459475	18190051.5	
3460063	Regeneron Pharmaceuticals, Inc.	15/10/2014	3460063	18188401.6	
3460170	OneSubsea IP UK Limited	25/09/2018	3460170	18196468.5	
3460518	Leica Geosystems AG	22/09/2017	3460518	17192755.1	
3461105	Huawei Technologies Co., Ltd.	01/04/2017	3461105	17818880.1	
3461490	Uniderm Farmaceutici S.r.l.	28/09/2018	3461490	18197760.4	
3463704	Wimao Oy	29/05/2017	3463704	17805933.3	
3465304	Huawei Technologies Co., Ltd.	13/07/2017	3465304	17827011.2	
3465456	Biamp Systems, LLC	01/06/2017	3465456	17807513.1	
3466800	SIKA TECHNOLOGY AG	06/10/2017	3466800	17195294.8	German
3467557	KYOCERA Corporation	11/05/2017	3467557	17810043.4	
3467707	Tata Consultancy Services Limited	25/06/2018	3467707	18179440.5	
3468777	Bayerische Motoren Werke Aktiengesellschaft	10/05/2017	3468777	17723064.6	German
3470136	Sumitomo Metal Mining Co., Ltd.	12/06/2017	3470136	17813267.6	
3471507	EDD Innovations GmbH	26/03/2015	3471507	18191212.2	German
3471565	RAI Strategic Holdings, Inc.	09/06/2017	3471565	17733034.7	
3471629	Smith & Nephew, Inc	26/05/2017	3471629	17729633.2	
3473169	Hill-Rom Services PTE. LTD.	11/10/2018	3473169	18199971.5	
3475107	Foss, Christian, M.	26/06/2017	3475107	17816382.0	
3479565	Zhejiang Dahua Technology Co., Ltd	04/08/2017	3479565	17836430.3	
3480981	Huawei Technologies Co., Ltd.	18/07/2016	3480981	16909092.5	
3481264	Versuni Holding B.V.	04/07/2017	3481264	17739521.7	

*(10/04/2024)**Journal of the Intellectual Property Office of Ireland**(No. 2513)*

3481492	Cala Health, Inc.	06/07/2017	3481492	17824899.3	
3482143	Praxair Technology, Inc.	11/07/2017	3482143	17745221.6	
3483514	Samsung Electronics Co., Ltd.	04/05/2016	3483514	18210273.1	
3484084	LG Electronics Inc.	07/07/2017	3484084	17824601.3	
3484410	DJO Global, Inc.	12/07/2017	3484410	17828401.4	
3485247	Mettler-Toledo GmbH	13/07/2017	3485247	17739571.2	German
3485326	LG Electronics Inc.	10/07/2017	3485326	17827897.4	
3485881	President and Fellows of Harvard College The General Hospital Corporation Children's Medical Center Corporation	09/07/2010	3485881	18211462.9	
3487059	Solaredge Technologies Ltd.	19/11/2018	3487059	18207048.2	
3487075	ams AG	15/11/2017	3487075	17201931.7	
3487591	Tonal Systems, Inc.	21/07/2017	3487591	17835030.2	
3488360	INTEL Corporation	20/06/2017	3488360	17831495.1	
3488827	Boston Scientific Medical Device Limited	31/01/2008	3488827	18207489.8	
3488952	Seco Tools AB	24/11/2017	3488952	17203431.6	
3489143	Hamilton Sundstrand Corporation	28/11/2018	3489143	18208795.7	
3489728	Toppan Printing Co., Ltd.	20/07/2017	3489728	17831089.2	
3490010	Samsung Electronics Co., Ltd.	09/05/2018	3490010	18171541.8	
3490390	Philip Morris Products S.A.	11/07/2017	3490390	17736965.9	
3490539	Greenspoon, Allen	28/07/2017	3490539	17833153.4	
3490837	Honda Motor Co., Ltd.	28/07/2017	3490837	17751858.6	
3491317	Valeo Systemes Thermiques	25/07/2017	3491317	17758226.9	French
3492223	Koki Holdings Co., Ltd.	30/06/2017	3492223	17833964.4	
3492851	SMS Group GmbH	27/11/2018	3492851	18208652.0	German
3493701	Kolibree SAS	17/08/2017	3493701	17768517.9	
3494745	NEC Corporation	02/08/2017	3494745	17826322.4	
3494969	University of Florida Research Foundation, Inc.	26/09/2011	3494969	18213818.0	
3496244	Suzhou DSM Green Power Ltd.	23/06/2017	3496244	17913718.7	
3496447	Huawei Technologies Co., Ltd.	15/08/2017	3496447	17841046.0	
3496713	The Hospital for Sick Children Osaka University	12/08/2017	3496713	17778331.3	
3496844	Summit Innovation Labs, LLC	24/07/2017	3496844	17841823.2	
3497189	Binding Solutions Limited	14/08/2017	3497189	17754776.7	

(10/04/2024)

Journal of the Intellectual Property Office of Ireland

(No. 2513)

3497526	Tomologic AB	04/07/2017	3497526	17839921.8	
3497785	Cohere Technologies, Inc.	11/08/2017	3497785	17840372.1	
3498188	Ethicon LLC	14/12/2018	3498188	18212712.6	
3499400	Asterisk, Inc.	03/07/2017	3499400	17839102.5	
3499711	Sumitomo Electric Industries, Ltd.	10/07/2017	3499711	17839128.0	
3502460	Vitesco Technologies GmbH	19/12/2017	3502460	17208342.0	
3503064	Valeo Comfort and Driving Assistance	17/12/2018	3503064	18213207.6	French
3503389	IHP GmbH - Innovations for High Performance Microelectronics / Leibniz-Institut für innovative Mikroelektronik	21/12/2017	3503389	17209770.1	
3503907	Mapi Pharma Ltd.	28/08/2017	3503907	17845665.3	
3504190	Sulzer Management AG	27/09/2017	3504190	17780059.6	
3504381	Rotech Group Limited	23/08/2017	3504381	17758919.9	
3504655	Alcon Inc.	23/08/2017	3504655	17771581.0	
3504869	Greeneden U.S. Holdings II, LLC	25/08/2017	3504869	17847272.6	
3506813	Nikon Corporation	31/08/2017	3506813	17846661.1	
3507167	Zuca, Inc.	29/08/2017	3507167	17847335.1	
3507511	Stiesdal Offshore A/S	30/08/2017	3507511	17845581.2	
3507842	CPS Technology Holdings LLC	19/07/2017	3507842	17745616.7	
3507925	Finisar Corporation	30/08/2017	3507925	17765000.9	
3508170	Biosense Webster (Israel) Ltd.	02/01/2019	3508170	19150087.5	
3509288	Xleap, Inc.	30/08/2017	3509288	17846619.9	
3509652	Assistance Publique-Hôpitaux de Paris (AP-HP) Institut National de la Santé et de la Recherche Médicale (INSERM) Université Paris Cité	08/09/2017	3509652	17771502.6	French
3511047	Boston Scientific Scimed, Inc.	07/12/2005	3511047	19155400.5	
3511777	CANON KABUSHIKI KAISHA	09/11/2018	3511777	18205336.3	
3512097	OMRON CORPORATION	10/10/2018	3512097	18199738.8	
3512309	Signify Holding B.V.	11/01/2013	3512309	19155278.5	
3512965	ArcherDX, LLC	15/09/2017	3512965	17851672.0	
3513253	Volkswagen Aktiengesellschaft	08/08/2017	3513253	17754658.7	German
3514886	NXP B.V.	08/01/2019	3514886	19150669.0	
3514916	TOYOTA JIDOSHA KABUSHIKI KAISHA	21/01/2019	3514916	19152807.4	

*(10/04/2024)**Journal of the Intellectual Property Office of Ireland**(No. 2513)*

3514951	ams AG	18/01/2018	3514951	18152314.3	
3515122	Canon Kabushiki Kaisha	29/08/2017	3515122	17850684.6	
3516539	Visa International Service Association	22/09/2016	3516539	16916959.6	
3516561	HeartFlow, Inc.	19/09/2017	3516561	17784718.3	
3517282	General Electric Company	17/01/2019	3517282	19152401.6	
3517538	Chugai Seiyaku Kabushiki Kaisha	26/09/2017	3517538	17853220.6	
3519507	Jotun A/S	29/09/2017	3519507	17777265.4	
3519586	Life Technologies Corporation	28/09/2017	3519586	17781331.8	
3519864	INOVA Ltd.	27/09/2017	3519864	17781309.4	
3520335	Microsoft Technology Licensing, LLC	20/09/2017	3520335	17780574.4	
3521308	Vivoryon Therapeutics N.V.	31/01/2018	3521308	18154427.1	
3521568	RTX Corporation	29/01/2019	3521568	19154314.9	
3521826	Terumo Kabushiki Kaisha	04/08/2017	3521826	17855442.4	
3522000	CANON KABUSHIKI KAISHA	21/12/2018	3522000	18215099.5	
3523100	Broetje-Automation GmbH	27/07/2017	3523100	17751045.0	German
3523975	InterDigital Madison Patent Holdings, SAS	28/09/2017	3523975	17772442.4	
3525513	SK Telecom Co., Ltd.	04/04/2018	3525513	18839180.9	
3526009	Laitram, LLC	19/09/2017	3526009	17860310.6	
3526664	PayPal, Inc.	28/09/2017	3526664	17861093.7	
3528885	Boston Scientific Scimed Inc.	18/10/2017	3528885	17791895.0	
3529907	QUALCOMM Incorporated	05/09/2017	3529907	17769151.6	
3532293	Kimberly-Clark Worldwide, Inc.	31/10/2016	3532293	16920336.1	
3532415	Innovative Logistics, LLC	30/10/2017	3532415	17798054.7	
3532540	Borealis AG	24/10/2017	3532540	17786946.8	
3532791	Valeo Systemes Thermiques	27/10/2017	3532791	17801078.1	French
3532927	Nokia Technologies Oy	26/10/2017	3532927	17863830.0	
3535049	Trustees of Tufts College	20/10/2017	3535049	17867365.3	
3536906	Mitsubishi Heavy Industries, Ltd.	13/12/2017	3536906	17881791.2	
3538183	Ypsomed AG	18/10/2017	3538183	17791921.4	German
3538470	Konecranes Global Corporation	08/11/2017	3538470	17794957.5	German
3538575	Bridgestone Corporation	09/11/2017	3538575	17869534.2	
3538674	F. Hoffmann-La Roche AG	20/10/2017	3538674	17797246.0	
3539378	Exel Industries	14/03/2019	3539378	19162910.4	
3539680	Sinfonia Technology Co., Ltd.	14/07/2017	3539680	17869630.8	
3540389	OMRON Corporation	11/02/2019	3540389	19156408.7	
3542823	StaGen Co., Ltd.	21/11/2017	3542823	17871969.6	

3545058	TotalEnergies OneTech Centre National de la Recherche Scientifique Ecole Supérieure de Physique et de Chimie Industrielles de la Ville de Paris	21/11/2017	3545058	17812011.9	French
3545148	Knauf Gips KG	25/11/2016	3545148	16825322.7	
3545811	Whirlpool Corporation	13/03/2019	3545811	19162568.0	
3545863	Ethicon LLC	28/03/2019	3545863	19165974.7	
3545864	Ethicon LLC	28/03/2019	3545864	19165975.4	
3546572	Cellectis	12/05/2014	3546572	19161861.0	
3547039	Dai Nippon Printing Co., Ltd.	24/11/2017	3547039	17874562.6	
3547361	AT&S Austria Technologie & Systemtechnik Aktiengesellschaft	28/03/2019	3547361	19165740.2	
3548924	Thales Alenia Space Italia S.p.A. Con Unico Socio	01/12/2017	3548924	17832332.5	
3549641	Hamilton Sundstrand Corporation	04/04/2019	3549641	19167279.9	
3550812	Samsung Electronics Co., Ltd.	21/12/2017	3550812	17887937.5	
3551214	St Vincent's Hospital Sydney Limited	06/12/2017	3551214	17878004.5	
3551828	TRACTO-TECHNIK GmbH & Co. KG	06/12/2017	3551828	17811548.1	German
3551830	Baker Hughes Energy Technology UK Limited	27/11/2017	3551830	17805250.2	
3552804	Concept Laser GmbH	18/08/2015	3552804	19177090.8	German
3552900	Hymer GmbH & Co. KG	26/03/2019	3552900	19165261.9	German
3553214	Toray Industries, Inc.	04/12/2017	3553214	17879116.6	
3554321	Medela Holding AG	11/12/2017	3554321	17816691.4	German
3554425	Zimmer, Inc.	01/11/2017	3554425	17804724.7	
3554581	Teva Pharmaceutical Industries Ltd.	13/12/2017	3554581	17816751.6	
3554763	Hilti Aktiengesellschaft	05/12/2017	3554763	17807889.5	German
3556036	QUALCOMM Incorporated	14/12/2017	3556036	17826054.3	
3557126	Insolight SA	20/04/2018	3557126	18168557.9	
3557844	Centripetal Limited	07/04/2016	3557844	19179539.2	
3558167	Edwards Lifesciences Corporation	18/12/2017	3558167	17883142.6	
3558651	Transitions Optical, Ltd.	23/12/2016	3558651	16826058.6	
3559524	Vitesco Technologies GmbH	13/12/2017	3559524	17816763.1	German
3559533	Brinox, D.O.O.	08/12/2017	3559533	17842344.8	
3559853	Hewlett-Packard Development Company, L.P.	06/07/2017	3559853	17916712.7	

*(10/04/2024)**Journal of the Intellectual Property Office of Ireland**(No. 2513)*

3560655	DMG Mori Co., Ltd.	21/12/2017	3560655	17888876.4	
3561594	Coretronic Corporation	26/04/2019	3561594	19171345.2	
3561734	Accenture Global Solutions Limited	04/03/2019	3561734	19160456.0	
3562208	Sharp Kabushiki Kaisha	19/12/2017	3562208	17884303.3	
	FG INNOVATION COMPANY LIMITED				
3562384	Finkelstein, Elliot Steven	27/12/2017	3562384	17885519.3	
3562396	Medtrum Technologies Inc.	30/12/2016	3562396	16925493.5	
3562444	Academisch Ziekenhuis Maastricht Universiteit Maastricht	20/12/2017	3562444	17826600.3	
3562486	Bioxcel Therapeutics, Inc.	29/12/2017	3562486	17885750.4	
3563309	Google LLC	08/12/2017	3563309	17826022.0	
3563697	Japan Tobacco Inc.	24/04/2017	3563697	17907564.3	
3563892	Becton Dickinson France	02/05/2018	3563892	18305547.4	
3564319	Lotte Advanced Materials Co., Ltd.	15/12/2017	3564319	17889402.8	
3564863	Shanghai Cambricon Information Technology Co., Ltd	30/12/2016	3564863	16925613.8	
3565446	Essity Hygiene and Health Aktiebolag	09/01/2017	3565446	17700210.2	
3565465	Koninklijke Philips N.V.	02/01/2018	3565465	18700634.1	
3565547	Les Laboratoires Servier Novartis AG	05/01/2018	3565547	18700861.0	
3565815	Shanghai Fosun Pharmaceutical Industrial Development Co., Ltd. Fochon Pharmaceuticals, Ltd.	05/01/2018	3565815	18736304.9	
3566661	Covidien LP	31/05/2013	3566661	19178144.2	
3566800	Kaijo Corporation	12/09/2017	3566800	17925144.2	
3567430	Powdertech Co., Ltd.	25/12/2017	3567430	17890273.0	
3567929	NTT DoCoMo, Inc.	05/01/2018	3567929	18736714.9	
3568000	Groupe Anderson Inc.	10/01/2018	3568000	18739095.0	
3568065	Braindex S.A.S	09/01/2018	3568065	18702747.9	French
3568794	Maim, Enrico	16/01/2018	3568794	18705491.1	French
3569171	Erbe Elektromedizin GmbH	14/05/2018	3569171	18172105.1	German
3569340	Daihen Corporation	07/12/2017	3569340	17890890.1	
3569731	Proterial, Ltd.	05/12/2017	3569731	17890888.5	
3570737	Physio-Control, Inc.	18/01/2018	3570737	18703419.4	
3570854	Ynsect	17/01/2018	3570854	18702769.3	French
3571926	Stichting Wageningen Research	24/09/2014	3571926	19186241.6	

(10/04/2024)

Journal of the Intellectual Property Office of Ireland

(No. 2513)

3572119	Changzhou Hualian Health Dressing Ltd. Changzhou Huajia Medical Device Ltd.	17/01/2018	3572119	18742095.5	
3572667	Edwards Japan Limited	12/01/2018	3572667	18741548.4	
3573645	VALLAURIX MC S.A.R.L.	01/02/2018	3573645	18748798.8	
3574302	Nihon Kohden Corporation	25/01/2018	3574302	18704318.7	
3574528	Saule Spolka Akcyjna	24/01/2018	3574528	18711714.8	
3575175	Zenuity AB Volvo Car Corporation	01/06/2018	3575175	18175469.8	
3576807	Quanta Dialysis Technologies Limited	02/02/2018	3576807	18703841.9	
3579005	Proventia Oy	05/06/2018	3579005	18175951.5	
3579108	Thales	04/06/2019	3579108	19178119.4	French
3580098	ZF Automotive Safety Germany GmbH	19/01/2018	3580098	18703694.2	German
3580403	Soletanche Freyssinet	13/02/2018	3580403	18706816.8	French
3581408	FERRARI S.p.A.	11/06/2019	3581408	19179429.6	
3581952	Melexis Bulgaria Ltd.	12/06/2019	3581952	19179617.6	
3582022	Powdertech Co., Ltd.	15/01/2018	3582022	18751417.9	
3582942	Billio Pty Ltd	16/02/2018	3582942	18753829.3	
3586746	Tata Consultancy Services Limited	14/11/2018	3586746	18206225.7	
3590137	BOE Technology Group Co., Ltd. Chengdu BOE Optoelectronics Technology Co., Ltd.	15/11/2017	3590137	17859371.1	
3591502	Huawei Technologies Co., Ltd.	07/07/2017	3591502	17901675.3	
3592011	Huawei Technologies Co., Ltd.	05/12/2008	3592011	19188521.9	
3595848	Birch Tools Ltd	14/03/2018	3595848	18714020.7	
3597131	Biosense Webster (Israel) Ltd.	16/07/2019	3597131	19186545.0	
3598132	Denka Company Limited	14/03/2018	3598132	18768581.3	
3598225	NIKON CORPORATION	15/07/2019	3598225	19186271.3	
3598759	Comcast Cable Communications LLC	17/07/2019	3598759	19186775.3	
3599948	Aerofoil Energy Limited	27/03/2018	3599948	18715898.5	
3600785	Husqvarna AB	02/02/2018	3600785	18703550.6	
3600914	Siemens Mobility Austria GmbH	27/06/2018	3600914	18739760.9	German
3601042	Aurora Flight Sciences Corporation	22/03/2018	3601042	18771479.5	
3601492	Innospec Limited	28/03/2018	3601492	18715918.1	
3601711	Yanfeng Plastic Omnium Automotive Exterior Systems Co., Ltd. Compagnie Plastic Omnium	30/03/2018	3601711	18775220.9	

(10/04/2024)

Journal of the Intellectual Property Office of Ireland

(No. 2513)

3602831	Apple Inc.	02/04/2018	3602831	18719018.6	
3603422	HLSCIENCE CO., LTD	22/03/2018	3603422	18771148.6	
3604193	KONE Corporation	03/08/2018	3604193	18187275.5	
3605740	Hosiden Corporation	11/07/2019	3605740	19185841.4	
3605992	Nokia Solutions and Networks Oy	03/08/2018	3605992	18187251.6	
3606812	Technological Resources Pty Limited	19/03/2018	3606812	18780808.4	
3607233	Global Life Sciences Solutions USA LLC	04/04/2018	3607233	18716221.9	
3607689	QUALCOMM Incorporated	30/03/2018	3607689	18777082.1	
3608243	Tetra Laval Holdings & Finance S.A.	26/07/2019	3608243	19188568.0	
3608375	FUJIFILM Corporation	26/03/2018	3608375	18781427.2	
3608653	Institut von Karman de Dynamique des Fluides, AISBL	06/08/2018	3608653	18187526.1	
3608907	Visa International Service Association	09/08/2019	3608907	19190937.3	
3608979	Commissariat à l'Energie Atomique et aux Energies Alternatives STMicroelectronics S.r.l.	25/07/2019	3608979	19188332.1	French
3609081	Acacia Communications, Inc.	10/01/2019	3609081	19151231.8	
3609151	Realtek Semiconductor Corp.	05/12/2018	3609151	18210325.9	
3609649	Maschinenfabrik Alfing Kessler GmbH	24/05/2018	3609649	18727278.6	German
3609864	The General Hospital Corporation	11/04/2018	3609864	18784302.4	
3610651	Samsung Electronics Co., Ltd.	31/07/2018	3610651	18840965.0	
3610737	Changzhou Patent Electronic Technology Co., Ltd	30/11/2017	3610737	17905340.0	
3612234	ADC Therapeutics SA Medimmune Limited	20/04/2018	3612234	18719162.2	
3612291	Loci Controls, Inc.	21/04/2017	3612291	17906368.0	
3613040	Telecom Italia S.p.A.	18/04/2018	3613040	18724466.0	
3613153	Google LLC	03/06/2018	3613153	18734688.7	
3613858	Seoul National University R&DB Foundation Advanced Protein Technologies Corp.	20/04/2018	3613858	18787693.3	
3614206	FUJIFILM Corporation	12/04/2018	3614206	18787556.2	
3614363	Fujitsu Limited	20/04/2017	3614363	17905998.5	
3615015	Vanderbilt University	27/04/2018	3615015	18724734.1	
3615674	The Regents of the University of ColoradoA Body Corporate	25/04/2018	3615674	18791113.6	

*(10/04/2024)**Journal of the Intellectual Property Office of Ireland**(No. 2513)*

3616222	Evatec AG	18/04/2018	3616222	18720551.3	
3616426	Malikie Innovations Limited	09/04/2018	3616426	18717326.5	
3616734	Becton, Dickinson and Company	19/08/2019	3616734	19192315.0	
3617229	Yamada, Ken-Ichi Fuso Pharmaceutical Industries, Ltd.	27/04/2018	3617229	18791391.8	
3617833	Apple Inc.	05/02/2019	3617833	19155570.5	
3619477	Johnson Controls Tyco IP Holdings LLP	01/05/2018	3619477	18730157.7	
3619743	SanDisk Technologies LLC	17/05/2018	3619743	18729269.3	
3619887	International Business Machines Corporation	18/12/2017	3619887	17826472.7	
3623231	Huf Hülsbeck & Fürst GmbH & Co. KG	03/09/2019	3623231	19195045.0	German
3623795	DiaMonTech AG	16/06/2015	3623795	19205368.4	German
3625121	Smar-Azure Limited	15/05/2018	3625121	18732852.1	
3625171	BASF Corporation	15/05/2018	3625171	18724551.9	
3625995	ARRIS Enterprises LLC	17/05/2018	3625995	18732522.0	
3627062	Gree Electric Appliances, Inc. of Zhuhai	09/06/2017	3627062	17909878.5	
3627537	Samsung Electronics Co., Ltd.	30/04/2019	3627537	19171989.7	
3628712	National Institute for Materials Science	21/08/2018	3628712	18847453.0	
3629705	Fraunhofer-Gesellschaft zur Förderung der angewandten Forschung e.V.	30/05/2018	3629705	18726182.1	German
3629795	Nike Innovate C.V.	23/05/2018	3629795	18730594.1	
3629907	Human Research Institut für Gesundheitstechnologie und Präventionsforschung GmbH Joysys GmbH ams AG	22/05/2018	3629907	18728550.7	German
3630871	SHPP Global Technologies B.V.	16/05/2018	3630871	18730532.1	
3631069	Nike Innovate C.V.	31/05/2018	3631069	18733093.1	
3631477	Fraunhofer-Gesellschaft zur Förderung der angewandten Forschung e.V.	16/05/2018	3631477	18725204.4	
3632194	R. Stahl Schaltgeräte GmbH	22/03/2018	3632194	18713624.7	German
3632406	The Nisshin OilliO Group, Ltd.	29/05/2018	3632406	18810022.6	
3632437	Eisai R&D Management Co., Ltd.	30/05/2018	3632437	18808870.2	
3633177	Volkswagen AG	23/09/2019	3633177	19198949.0	German

*(10/04/2024)**Journal of the Intellectual Property Office of Ireland**(No. 2513)*

3633505	GE Aviation Systems LLC	03/10/2019	3633505	19201315.9	
3634090	KOITO MANUFACTURING CO., LTD.	01/07/2016	3634090	19211541.8	
3634375	Sami-Sabinsa Group Limited	04/06/2018	3634375	18814429.9	
3634716	West Pharmaceutical Services, Inc.	06/06/2018	3634716	18734390.0	
3634874	Berry Global, Inc.	04/05/2018	3634874	18794388.1	
3635665	Visa International Service Association	06/06/2018	3635665	18813501.6	
3636028	QUALCOMM Incorporated	07/06/2018	3636028	18735461.8	
3636166	Ethicon LLC	10/10/2019	3636166	19202542.7	
3636179	Ethicon LLC	24/08/2017	3636179	19211437.9	
3637277	Xerox Corporation	08/10/2019	3637277	19202113.7	
3638044	DSM IP Assets B.V.	11/06/2018	3638044	18729978.9	
3638170	Smith & Nephew PLC	11/06/2018	3638170	18731063.6	
3638302	Janssen Vaccines & Prevention B.V. Bavarian Nordic A/S	14/06/2018	3638302	18749863.9	
3638444	C Enterprise HK Limited	14/06/2018	3638444	18817188.8	
3639582	QUALCOMM Incorporated	13/06/2018	3639582	18737465.7	
3640344	ARKRAY, Inc.	02/10/2019	3640344	19201172.4	
3640447	Deere & Company	24/09/2019	3640447	19199365.8	
3640511	Sangbong Corporation Co., Ltd.	12/06/2018	3640511	18817848.7	
3641987	BESSEY Tool GmbH & Co. KG	19/06/2018	3641987	18732754.9	German
3642153	Nikon Corporation Essilor International	21/06/2017	3642153	17764894.6	
3642837	Google LLC	23/08/2018	3642837	18765523.8	
3643597	YAMAHA HATSUDOKI KABUSHIKI KAISHA	21/10/2019	3643597	19204254.7	
3643646	Itoh Denki Co., Ltd.	22/06/2017	3643646	17914267.4	
3644236	Stradvision, Inc.	08/07/2019	3644236	19184885.2	
3644514	MediaTek Singapore Pte. Ltd.	23/08/2019	3644514	19212305.7	
3645239	Discma AG	29/06/2018	3645239	18765706.9	
3645499	Vitaworks IP, LLC	22/06/2018	3645499	18823977.6	
3645551	Regeneron Pharmaceuticals, Inc.	27/06/2018	3645551	18749635.1	
3646391	Aledia	19/06/2018	3646391	18737689.2	French
3646770	FUJIFILM Corporation	29/06/2018	3646770	18823845.5	
3647042	Alterval	30/10/2019	3647042	19206212.3	French
3648761	Boehringer Ingelheim Vetmedica GmbH	05/07/2018	3648761	18740153.4	

(10/04/2024)

Journal of the Intellectual Property Office of Ireland

(No. 2513)

3648930	Hilti Aktiengesellschaft	22/06/2018	3648930	18731154.3	German
3649222	Unilever Global IP Limited	04/07/2018	3649222	18734831.3	
3649558	Chromaway AB	06/07/2018	3649558	18743704.1	
3650834	Nokia Technologies Oy	06/11/2018	3650834	18204736.5	
3651216	LG Chem, Ltd.	20/08/2019	3651216	19842853.4	
3651389	NEC Corporation	25/01/2016	3651389	19210663.1	
3651588	Givaudan SA	10/07/2018	3651588	18753277.5	
3651864	Blueair AB	12/07/2018	3651864	18740807.5	
3652047	Sika Technology AG	09/07/2018	3652047	18735339.6	German
3654743	OVH	15/11/2018	3654743	18315044.0	
3654766	Koppert B.V.	16/07/2018	3654766	18766358.8	
3655088	B. Braun Melsungen AG	18/07/2018	3655088	18743468.3	German
3656423	Sanofi-Aventis Deutschland GmbH	09/06/2016	3656423	19209180.9	
3656558	General Electric Company	17/07/2017	3656558	19214836.9	
3656563	KYOCERA Document Solutions Inc.	31/10/2019	3656563	19206419.4	
3657025	Gree Electric Appliances (Wuhan) Co., Ltd. Gree Electric Appliances, Inc. of Zhuhai	20/08/2018	3657025	18869220.6	
3657111	SMS Group GmbH	25/11/2019	3657111	19211256.3	German
3657117	Hitachi-Johnson Controls Air Conditioning, Inc.	04/06/2018	3657117	18836086.1	
3658072	Neuraptive Therapeutics, Inc.	24/07/2018	3658072	18839034.8	
3658274	Firmenich SA	24/07/2018	3658274	18740879.4	
3659510	Brainlab AG	30/05/2017	3659510	19196327.1	
3659731	Mitsubishi Heavy Industries, Ltd.	21/11/2019	3659731	19210542.7	
3660543	Baker Hughes Holdings LLC	25/11/2019	3660543	19211364.5	
3660713	CyberArk Software Ltd.	31/05/2019	3660713	19177788.7	
3661446	Intuitive Surgical Operations, Inc.	30/07/2018	3661446	18842139.0	
3662252	Dow Global Technologies LLC Rohm and Haas Company	30/04/2018	3662252	18726610.1	
3662338	Wing Aviation LLC	24/07/2018	3662338	18842338.8	
3663371	Henkel AG & Co. KGaA	06/12/2018	3663371	18210646.8	
3663372	Henkel AG & Co. KGaA	06/12/2018	3663372	18210647.6	
3663435	Henkel AG & Co. KGaA	05/12/2018	3663435	18210367.1	
3663660	Samsung Electronics Co., Ltd.	10/09/2018	3663660	18860635.4	
3664210	LG Energy Solution, Ltd.	20/07/2018	3664210	18856085.8	

*(10/04/2024)**Journal of the Intellectual Property Office of Ireland**(No. 2513)*

3665380	Safran Nacelles Safran	07/08/2018	3665380	18762381.4	French
3666047	Siemens Aktiengesellschaft	02/11/2018	3666047	18800554.0	German
3666080	Inner Mongolia Yili Industrial Group Co., Ltd.	26/07/2018	3666080	18844474.9	
3666217	Biosense Webster (Israel) Ltd.	12/12/2019	3666217	19215467.2	
3666536	Seiko Instruments Inc.	11/12/2019	3666536	19215207.2	
3666670	AGCO International GmbH	29/10/2019	3666670	19205831.1	
3667130	SVM Schultz Verwaltungs-GmbH & Co. KG	13/12/2019	3667130	19216286.5	German
3667449	Simmonds Precision Products, Inc.	11/12/2019	3667449	19215350.0	
3667810	CommScope Italy S.r.l.	11/12/2019	3667810	19215262.7	
3668589	Medtronic Inc.	09/08/2018	3668589	18760114.1	
3669295	Hewlett-Packard Development Company, L.P.	16/08/2017	3669295	17921523.1	
3669619	Signify Holding B.V.	10/08/2018	3669619	18750217.4	
3669810	Daegu Gyeongbuk Institute of Science and Technology	17/12/2019	3669810	19216994.4	
3670899	Nordex Energy Spain, S.A.U.	21/12/2018	3670899	18382969.6	
3671313	Tobii AB	30/10/2019	3671313	19206234.7	
3673685	Qualcomm Incorporated	23/08/2018	3673685	18763010.8	
3674436	Dai Nippon Printing Co., Ltd.	25/12/2019	3674436	19219714.3	
3675653	MIXSCIENCE	31/10/2018	3675653	18804417.6	French
3675756	CONMED Corporation	29/08/2018	3675756	18783163.1	
3676593	DYNISCO INSTRUMENTS LLC	02/08/2018	3676593	18762664.3	
3676913	Robert Bosch GmbH	03/08/2018	3676913	18750201.8	German
3677049	Harman International Industries, Incorporated	31/08/2017	3677049	17923623.7	
3677220	Lifetech Scientific (Shenzhen) Co., Ltd	22/08/2018	3677220	18850981.4	
3678125	BOE Technology Group Co., Ltd. Beijing BOE Optoelectronics Technology Co., Ltd.	31/05/2018	3678125	18826909.6	
3678739	The Children's Hospital of Philadelphia	07/09/2018	3678739	18855099.0	
3679493	Cohere Technologies, Inc.	06/09/2018	3679493	18854687.3	
3680000	GlaxoSmithKline Intellectual Property Development Limited	13/03/2014	3680000	19198005.1	
3680827	CANON KABUSHIKI KAISHA	03/01/2020	3680827	20150157.4	

(10/04/2024)

Journal of the Intellectual Property Office of Ireland

(No. 2513)

3681319	Philip Morris Products S.A.	04/09/2018	3681319	18769810.5	
3682086	Innovative Drilling Systems Limited	14/09/2018	3682086	18786015.0	
3682332	Alibaba Group Holding Limited	11/09/2018	3682332	18853869.8	
3682481	General Electric Company	20/07/2018	3682481	18853074.5	
3682860	CIAR S.p.A.	14/01/2020	3682860	20151614.3	
3682934	Biosense Webster (Israel) Ltd.	24/12/2019	3682934	19219594.9	
3683339	Jiangsu Hengli Chemical Fibre Co., Ltd.	27/07/2018	3683339	18889561.9	
3684285	Mansell, John	20/09/2018	3684285	18859558.1	
3684641	Siemens Aktiengesellschaft	12/10/2018	3684641	18793586.1	German
3685491	BTU Research LLC	21/09/2018	3685491	18857585.6	
3685501	Cirrus Logic International Semiconductor, Ltd.	17/09/2018	3685501	18780005.7	
3686683	Canon Kabushiki Kaisha	21/09/2018	3686683	18859213.3	
3686878	Sony Interactive Entertainment Inc.	04/12/2019	3686878	19213464.1	
3687013	BTICINO S.P.A.	22/01/2020	3687013	20153047.4	
3687043	Panasonic Intellectual Property Management Co., Ltd.	25/05/2018	3687043	18859265.3	
3687286	Saulx Offshore	26/09/2018	3687286	18772829.0	
3687377	Deb IP Limited	14/09/2018	3687377	18773575.8	
3687802	HEWLETT-PACKARD DEVELOPMENT COMPANY, L.P.	13/07/2018	3687802	18746555.4	
3688175	Dow Global Technologies LLC	25/09/2018	3688175	18789532.1	
3688262	Titus d.o.o. Dekani	28/09/2018	3688262	18863732.6	
3688556	Spinner GmbH	14/09/2018	3688556	18773732.5	German
3688750	Google LLC	26/10/2018	3688750	18808149.1	
3689008	Qualcomm Incorporated	27/09/2018	3689008	18860573.7	
3689024	ZTE Corporation	28/09/2017	3689024	17927228.1	
3690125	LG Electronics Inc.	16/01/2020	3690125	20152172.1	
3690745	StradVision, Inc.	24/01/2020	3690745	20153665.3	
3691765	Beijing Elex Technology Co. Ltd.	31/07/2019	3691765	19861027.1	
3692167	Life Technologies Corporation	04/10/2018	3692167	18792781.9	
3692232	ASSA ABLOY Entrance Systems AB	05/10/2018	3692232	18786250.3	German
3692878	The Boeing Company	12/09/2017	3692878	20167017.1	
3693453	NOK Corporation The University Of Tokyo	02/10/2018	3693453	18863997.5	
3693525	Brady Worldwide, Inc.	17/01/2020	3693525	20152447.7	

*(10/04/2024)**Journal of the Intellectual Property Office of Ireland**(No. 2513)*

3694906	Wacker Chemie AG	13/10/2017	3694906	17791992.5	German
3695869	ResMed Pty Ltd	06/06/2006	3695869	19219280.5	
3695890	LG CHEM, LTD.	07/08/2019	3695890	19851428.3	
3696292	JFE Steel Corporation	23/10/2008	3696292	20168476.8	
3696306	BSH Hausgeräte GmbH	22/01/2020	3696306	20153199.3	German
3696623	BSH Hausgeräte GmbH	22/01/2020	3696623	20153175.3	German
3697521	Barco, Giovanni	18/10/2017	3697521	17811374.2	
3697658	BlackBerry Limited	17/10/2017	3697658	17791321.7	
3698630	Mallinckrodt Pharmaceuticals Ireland Limited	01/12/2014	3698630	20169811.5	
3698928	Martor KG	20/02/2020	3698928	20158515.5	German
3699438	Robert Bosch GmbH	27/01/2020	3699438	20153777.6	German
3700209	Huawei Technologies Co., Ltd.	25/12/2018	3700209	18898993.3	
3701093	Miller Industries Towing Equipment Inc.	12/09/2018	3701093	18870439.9	
3701781	Boehlerit GmbH & Co. KG.	27/01/2020	3701781	20153794.1	German
3701997	Labnpeople Co.,Ltd.	28/11/2018	3701997	18888048.8	
3702124	Sanoh Industrial Co., Ltd.	10/10/2018	3702124	18906909.9	
3702925	Suncorporation	26/10/2017	3702925	17929688.4	
3703547	Electrolux Appliances Aktiebolag	31/10/2017	3703547	17798148.7	
3704374	Röhm, Klaus	02/11/2018	3704374	18807560.0	German
3704408	Oetiker NY, Inc.	14/06/2018	3704408	18737479.8	
3704447	Micro Motion, Inc.	02/11/2017	3704447	17842405.7	
3705934	Funai Electric Co., Ltd.	19/02/2020	3705934	20158161.8	
3706439	FUJIFILM Corporation	31/10/2018	3706439	18872414.0	
3706692	The Procter & Gamble Company	06/11/2018	3706692	18807506.3	
3706749	Angex Pharmaceutical, Inc.	11/10/2018	3706749	18876761.0	
3707226	TotalEnergies OneTech	08/11/2018	3707226	18875007.9	French
3707942	MediaTek Singapore Pte. Ltd.	24/07/2018	3707942	18880565.9	
3708272	Siemens Aktiengesellschaft Mikro Systems, Inc.	23/10/2013	3708272	20167269.8	
3709429	LG Energy Solution, Ltd.	31/05/2019	3709429	19810358.2	
3710518	Arkema France	16/11/2018	3710518	18827164.7	French
3711104	Pymco Technologies	09/11/2018	3711104	18827153.0	French
3712050	Yamaha Hatsudoki Kabushiki Kaisha	15/11/2018	3712050	18879722.9	
3712395	RTX Corporation	17/03/2020	3712395	20163752.7	
3712873	Pioneer Corporation	09/11/2018	3712873	18877492.1	

(10/04/2024)

Journal of the Intellectual Property Office of Ireland

(No. 2513)

3712966	Tovis Co., Ltd.	05/11/2018	3712966	18875507.8	
3712967	Shangrao Xinyuan YueDong Technology Development Co. Ltd	04/10/2018	3712967	18877580.3	
3713268	Giesecke+Devrient Mobile Security Germany GmbH	23/03/2020	3713268	20020130.9	German
3713569	University of Pittsburgh- Of the Commonwealth System of Higher Education	20/11/2018	3713569	18881514.6	
3713760	Hexcel Composites Limited	21/11/2018	3713760	18807076.7	
3713766	Koninklijke Philips N.V.	15/11/2018	3713766	18803957.2	
3714558	Commscope Technologies LLC	20/11/2018	3714558	18879182.6	
3715028	Sugino Machine Limited	18/03/2020	3715028	20164054.7	
3715161	LG Electronics Inc.	24/10/2018	3715161	18880429.8	
3715449	Navipharm Co., Ltd. University - Industry Cooperation Group of Kyung Hee University	20/11/2018	3715449	18878662.8	
3716540	AO Kaspersky Lab	09/12/2019	3716540	19214514.2	
3716554	NXP B.V.	29/03/2019	3716554	19166177.6	
3716955	Healthy Option Consulting Inc.	26/11/2018	3716955	18883349.5	
3717656	F. Hoffmann-La Roche AG	29/11/2018	3717656	18811260.1	
3717748	MAN Energy Solutions SE	30/10/2018	3717748	18803334.4	German
3717900	AD Systems S.A.S.	29/11/2018	3717900	18839703.8	
3718392	Kubota Corporation	16/11/2018	3718392	18882969.1	
3718782	ASSA ABLOY AB	02/04/2020	3718782	20167703.6	
3719370	Crompton Technology Group Limited	02/04/2019	3719370	19275042.0	
3719966	LG Innotek Co., Ltd.	21/11/2018	3719966	18882345.4	
3720099	Gambro Lundia AB	17/10/2014	3720099	20175002.3	
3720750	Waymo LLC	28/11/2018	3720750	18886717.0	
3720865	Janssen Pharmaceutica NV	06/12/2018	3720865	18816013.9	
3721273	BOE Technology Group Co., Ltd.	07/12/2017	3721273	17910497.1	
3721433	Silicon Storage Technology, Inc.	09/11/2018	3721433	18886179.3	
3722141	MITSUBISHI JIDOSHA KOGYO KABUSHIKI KAISHA	29/08/2018	3722141	18887040.6	
3722378	Xerox Corporation	30/03/2020	3722378	20166902.5	
3723343	BOE Technology Group Co., Ltd.	04/12/2018	3723343	18885631.4	
3723790	Kamada Ltd	10/12/2018	3723790	18889387.9	
3724019	Lisa Dräxlmaier GmbH	15/12/2017	3724019	17828695.1	German

(10/04/2024)

Journal of the Intellectual Property Office of Ireland

(No. 2513)

3724774	Advanced Micro Devices, Inc.	24/09/2018	3724774	18888210.4	
3724938	Erbslöh Aluminium GmbH	12/12/2018	3724938	18830171.7	German
3725419	Exel Industries	17/04/2020	3725419	20170084.6	French
3725425	Terex GB Limited	15/04/2020	3725425	20169679.6	
3725449	DENGENSHA TOA CO., LTD.	26/02/2019	3725449	19786899.5	
3725623	NISSAN MOTOR CO., LTD.	15/12/2017	3725623	17934615.0	
3726170	Samsung Electronics Co., Ltd.	08/04/2020	3726170	20168830.6	
3726905	QUALCOMM Incorporated	20/01/2017	3726905	20174115.4	
3727164	Boston Scientific Scimed, Inc.	18/12/2018	3727164	18833579.8	
3727520	SANOFI	18/12/2018	3727520	18825980.8	
3727637	Agilent Technologies, Inc.	22/10/2018	3727637	18890369.4	
3727993	Keter Home and Garden Products Ltd. Milwaukee Electric Tool Corporation	20/12/2018	3727993	18892505.1	
3728006	Piaggio & C. S.P.A.	13/12/2018	3728006	18833323.1	
3728105	PepsiCo, Inc.	18/12/2018	3728105	18892802.2	
3728147	Heraeus Quartz North America LLC	20/12/2018	3728147	18834209.1	
3728203	ChemoCentryx, Inc.	20/12/2018	3728203	18890906.3	
3728350	Dow Global Technologies LLC	13/12/2018	3728350	18836745.2	
3729441	Grail, LLC	29/12/2018	3729441	18840007.1	
3729557	Exens Solutions Université de Bordeaux Institut Polytechnique de Bordeaux CENTRE NATIONAL DE LA RECHERCHE SCIENTIFIQUE	28/12/2018	3729557	18845308.8	French
3729898	Nokia Technologies Oy	17/12/2018	3729898	18892806.3	
3729957	HUSQVARNA AB	10/04/2015	3729957	20150107.9	
3731464	Huawei Technologies Co. Ltd.	23/04/2020	3731464	20171020.9	
3731878	TOMI Environmental Solutions, Inc.	29/12/2017	3731878	17935876.7	
3732331	GIS Gas Infusion Systems, Inc.	27/12/2018	3732331	18893386.5	
3733275	Institute of Coal Chemistry, Chinese Academy of Sciences Shanxi Lu'an Mining (Group) Co., Ltd.	25/03/2020	3733275	20165628.7	
3734355	Samsung Display Co., Ltd.	30/04/2020	3734355	20172363.2	
3734430	Vivo Mobile Communication Co., Ltd.	18/12/2018	3734430	18890322.3	
3734882	GUANGDONG OPPO MOBILE TELECOMMUNICATIONS CORP., LTD.	27/12/2017	3734882	17936210.8	

(10/04/2024)

Journal of the Intellectual Property Office of Ireland

(No. 2513)

3735211	Solventum Intellectual Properties Company	03/01/2019	3735211	19701417.8	
3735898	Fiagon GmbH	19/08/2019	3735898	19192372.1	
3736493	Bosch Corporation Robert Bosch GmbH	26/09/2018	3736493	18880219.3	
3737583	VOLKSWAGEN AKTIENGESELLSCHAFT	08/01/2019	3737583	19700770.1	German
3737724	ARLANXEO Deutschland GmbH	11/01/2018	3737724	18899297.8	
3738044	WAGO Verwaltungsgesellschaft mit beschränkter Haftung	17/12/2018	3738044	18840053.5	German
3738207	Texas Instruments Incorporated	10/01/2019	3738207	19738707.9	
3738253	QUALCOMM Incorporated	20/12/2018	3738253	18834235.6	
3738705	JFE Steel Corporation	20/03/2019	3738705	19772150.9	
3738738	Toray Industries, Inc.	25/12/2018	3738738	18899395.0	
3738785	Hueck Folien Gesellschaft m.b.H.	14/05/2019	3738785	19174396.2	German
3739247	Xiamen Solex High-tech Industries Co., Ltd.	07/01/2019	3739247	19738437.3	
3739347	HITACHI INDUSTRIAL EQUIPMENT SYSTEMS CO., LTD.	12/01/2018	3739347	18900170.4	
3739652	Contemporary Amperex Technology Co., Limited	05/09/2019	3739652	19195565.7	
3739757	Huf Hülsbeck & Fürst GmbH & Co. KG	12/05/2020	3739757	20174041.2	German
3740129	Koninklijke Philips N.V.	07/01/2019	3740129	19700140.7	
3740442	RXSAFE LLC	17/01/2019	3740442	19740739.8	
3740831	QUALCOMM INCORPORATED	17/12/2018	3740831	18836429.3	
3740836	Robert Bosch GmbH	23/11/2018	3740836	18808316.6	German
3740847	Magic Leap, Inc.	17/01/2019	3740847	19741593.8	
3740978	Stöcklin Logistik AG	04/01/2019	3740978	19702807.9	German
3741865	Genomatica, Inc.	18/09/2015	3741865	20159174.0	
3742000	Hitachi Construction Machinery Co., Ltd.	16/01/2018	3742000	18901447.5	
3742225	LG Innotek Co., Ltd.	16/01/2019	3742225	19741255.4	
3742981	Koninklijke Philips N.V.	15/01/2019	3742981	19700888.1	
3743422	Idorsia Pharmaceuticals Ltd	25/01/2019	3743422	19701240.4	
3743563	Volvo Construction Equipment AB	26/01/2018	3743563	18902597.6	
3743574	Schwing GmbH	23/01/2019	3743574	19705094.1	German

(10/04/2024)

Journal of the Intellectual Property Office of Ireland

(No. 2513)

3744071	Intuit Inc.	20/09/2018	3744071	18900673.7	
3744147	Telefonaktiebolaget LM Ericsson (publ)	03/01/2019	3744147	19700080.5	
3744275	Synaptic Medical (Beijing) Co. Ltd.	22/01/2019	3744275	19740717.4	
3744332	Matsutani Chemical Industry Co., Ltd.	26/01/2018	3744332	18902328.6	
3745138	Hitachi High-Tech Corporation	19/11/2018	3745138	18902928.3	
3745746	HUAWEI TECHNOLOGIES CO., LTD.	30/01/2019	3745746	19754590.8	
3745941	Royal Melbourne Institute of Technology	25/01/2019	3745941	19743938.3	
3746798	Laboratory Corporation of America Holdings	31/01/2019	3746798	19705078.4	
3747090	Robert Bosch GmbH	16/01/2019	3747090	19701174.5	German
3749146	fischerwerke GmbH & Co. KG	01/02/2019	3749146	19702895.4	German
3749247	Ormco Corporation	08/02/2019	3749247	19707545.0	
3749270	Yeditepe Üniversitesi	05/02/2018	3749270	18804431.7	
3749835	Welltec Oilfield Solutions AG	07/02/2019	3749835	19704306.0	
3749873	Sew-Eurodrive GmbH & Co. KG	23/01/2019	3749873	19701764.3	German
3750644	Victaulic Company	12/12/2018	3750644	20188804.7	
3750689	Toray Engineering Co., Ltd.	24/01/2019	3750689	19751751.9	
3753064	Vitesco Technologies Germany GmbH	28/01/2019	3753064	19703259.2	German
3753499	Smith & Nephew, Inc.	29/01/2012	3753499	20185550.9	
3753657	Unilock Di Umberto Crosti E C. S.A.S.	19/06/2020	3753657	20181223.7	
3754788	Kitagawa Industries Co., Ltd.	25/03/2019	3754788	19777160.3	
3754794	Self Electronics Co., Ltd. SELF ELECTRONICS Germany GmbH Lin, Wanjjiong	18/06/2020	3754794	20180695.7	
3755102	Huawei Technologies Co., Ltd.	07/11/2016	3755102	20175747.3	
3755940	CRYO - SCIENCE SP. Z O.O.	18/01/2019	3755940	19741483.2	
3756102	Hewlett-Packard Development Company, L.P.	07/06/2018	3756102	18921857.1	
3756110	Chevron U.S.A. Inc.	27/12/2018	3756110	18907214.3	
3757179	FUJIFILM Corporation	21/02/2019	3757179	19757490.8	
3757428	CNH Industrial Italia S.p.A.	26/06/2020	3757428	20182454.7	
3757526	Hitachi Energy Ltd	28/06/2019	3757526	19183250.0	
3758250	Telefonaktiebolaget LM Ericsson (publ)	11/05/2016	3758250	20186899.9	
3758257	Alcatel Submarine Networks	27/06/2019	3758257	19305867.4	

*(10/04/2024)**Journal of the Intellectual Property Office of Ireland**(No. 2513)*

3758328	BlackBerry Limited	21/05/2020	3758328	20175879.4	
3759173	Clariant International Ltd	31/01/2019	3759173	19701541.5	
3759742	Vishay Intertechnology Inc.	29/03/2019	3759742	19775519.2	
3760497	Mitsuba Corporation	20/02/2019	3760497	19760940.7	
	Mazda Motor Corporation				
3761411	KABUSHIKI KAISHA TOSHIBA	22/02/2019	3761411	19757860.2	
	Toshiba Materials Co., Ltd.				
3761431	LG Energy Solution, Ltd.	29/04/2019	3761431	19793474.8	
3762157	NORDISCHER MASCHINENBAU	05/03/2019	3762157	19709032.7	German
	RUD. BAADER GMBH + CO KG				
3763505	Otrajet Inc.	08/05/2020	3763505	20173779.8	
3763509	Dai Nippon Printing Co., Ltd.	04/12/2015	3763509	20192902.3	
3763927	IHI CORPORATION	07/03/2019	3763927	19764807.4	
3764075	ALSTOM Holdings	09/07/2020	3764075	20184848.8	German
3764301	Huawei Technologies Co. Ltd.	27/11/2015	3764301	20181719.4	
3765416	SAINT-GOBAIN ISOVER	13/03/2019	3765416	19715178.0	French
3766908	Shin-Etsu Chemical Co., Ltd.	15/07/2020	3766908	20185993.1	
3767084	AISIN CORPORATION	16/07/2020	3767084	20186145.7	
3767377	Huawei Technologies Co., Ltd.	11/06/2018	3767377	18912486.0	
3768350	Fresenius Medical Care Deutschland	22/03/2019	3768350	19713017.2	German
	GmbH				
3768376	Medtronic, Inc.	21/03/2019	3768376	19715697.9	
3768946	Element Six (UK) Limited	21/03/2019	3768946	19714569.1	
3769855	Musashi Engineering, Inc.	15/03/2019	3769855	19771922.2	
3770334	Sumitomo Heavy Industries, Ltd.	18/03/2019	3770334	19771571.7	
3770726	Samsung Display Co., Ltd.	21/07/2020	3770726	20186972.4	
3771550	The Boeing Company	27/07/2020	3771550	20187844.4	
3771881	SPG GmbH & Co. KG	29/07/2019	3771881	19188861.9	German
	FOG GmbH				
3772562	WFE Technology Corp.	06/08/2019	3772562	19190377.2	
3772880	Precision Planting LLC	01/04/2019	3772880	19716578.0	
3773064	Gemü GmbH	10/10/2018	3773064	18782088.1	German
3773830	L'OREAL	20/03/2019	3773830	19715349.7	
3774215	The Gillette Company LLC	25/03/2019	3774215	19715792.8	
3774364	Hewlett-Packard Development	29/03/2018	3774364	18912480.3	
	Company, L.P.				
3774781	Technische Universität Berlin	28/03/2019	3774781	19718257.9	

(10/04/2024)

Journal of the Intellectual Property Office of Ireland

(No. 2513)

3774859	Salubris Biotherapeutics, Inc. Salubris (Chengdu) Biotech Co., Ltd.	11/04/2019	3774859	19723548.4	
3775109	Dow Global Technologies, LLC Rohm and Haas Company	25/03/2019	3775109	19715796.9	
3775326	UNIWERSYTET JAGIELLONSKI	13/03/2019	3775326	19715000.6	
3775727	BSH Hausgeräte GmbH	09/01/2019	3775727	19700361.9	German
3776132	Purmo Group Sweden AB	08/04/2019	3776132	19784879.9	
3776152	Ricoh Company, Ltd.	27/03/2019	3776152	19717375.0	
3776863	Texas Instruments Incorporated	28/03/2019	3776863	19774325.5	
3777566	Nutritional Growth Solutions LTD	21/09/2015	3777566	20153056.5	
3777715	Ethicon LLC	21/12/2017	3777715	20201009.6	
3777848	Neurobiogen Co., Ltd.	01/04/2019	3777848	19781046.8	
3777915	Asahi Kasei Medical Co., Ltd.	29/03/2019	3777915	19774274.5	
3778252	FUJIFILM Corporation	25/03/2019	3778252	19777527.3	
3780799	NTT DOCOMO, INC.	05/04/2018	3780799	18913610.4	
3781561	Constellation Pharmaceuticals, Inc.	17/04/2019	3781561	19722363.9	
3781661	Dow Global Technologies, LLC The Board Of Trustees Of The University Of Illinois	15/04/2019	3781661	19721460.4	
3782587	Zimmer, Inc.	07/07/2016	3782587	20151841.2	
3782695	Thoratec Corporation	29/04/2014	3782695	20197300.5	
3782759	ROSEMOUNT AEROSPACE INC.	28/11/2019	3782759	19212063.2	
3782832	Motherson Innovations Company Limited	22/08/2019	3782832	19193080.9	
3783065	Polyplastics Co., Ltd.	09/04/2019	3783065	19788722.7	
3783096	Cj Cheiljedang Corporation	22/06/2015	3783096	20192891.8	
3783712	TBS Engineering Limited	05/08/2020	3783712	20189696.6	
3783956	Sharp Kabushiki Kaisha	14/01/2015	3783956	20201609.3	
3784165	Lightforce Orthodontics, Inc.	24/04/2019	3784165	19792830.2	
3784210	Ferring B.V.	25/04/2019	3784210	19719880.7	
3784510	Webasto SE	18/04/2019	3784510	19720506.5	German
3784513	Derissaint, Roger Nwaze, Audrey	24/04/2019	3784513	19793672.7	
3784593	Ranpak Corp.	11/07/2018	3784593	18746813.7	
3784730	Dow Global Technologies LLC	12/04/2019	3784730	19720279.9	
3784886	Scania CV AB	18/04/2019	3784886	19792557.1	
3785514	Kubota Corporation	26/04/2019	3785514	19792078.8	

(10/04/2024)

Journal of the Intellectual Property Office of Ireland

(No. 2513)

3785664	Beijing Keeyoo Technologies Co., Ltd.	12/04/2019	3785664	19792243.8	
3785729	The Cleveland Clinic Foundation	02/09/2016	3785729	20182156.8	
3786202	China Petroleum & Chemical Corporation Beijing Research Institute of Chemical Industry China Petroleum & Chemical Corporation	26/04/2019	3786202	19792130.7	
3786283	Kanto Kagaku Kabushiki Kaisha	15/12/2016	3786283	20202304.0	
3786437	MAN Energy Solutions SE	07/08/2020	3786437	20189979.6	German
3786550	LEISURE-TEC INTERNATIONAL LIMITED	25/04/2019	3786550	19792510.0	
3786659	KABUSHIKI KAISHA TOSHIBA Toshiba Electronic Devices & Storage Corporation	20/05/2020	3786659	20175696.2	
3788125	BASF SE	29/04/2019	3788125	19720574.3	
3788992	Libertysolution Co., Ltd.	13/09/2019	3788992	19836449.9	
3789697	Mitsubishi Electric Corporation	01/05/2018	3789697	18917178.8	
3790736	Canatu Oy	03/05/2019	3790736	19723464.4	
3790850	3M Innovative Properties Company	10/05/2019	3790850	19727787.4	
3791629	FG Innovation Company Limited Sharp Kabushiki Kaisha	10/05/2019	3791629	19800727.0	
3791802	Ethicon LLC	16/09/2020	3791802	20196516.7	
3792589	SUMITOMO ELECTRIC INDUSTRIES, LTD.	22/04/2019	3792589	19800023.4	
3792774	Sony Interactive Entertainment Inc.	09/07/2012	3792774	20201549.1	
3793504	Becton Dickinson France	30/04/2019	3793504	19722051.0	
3793804	Krones AG	25/09/2019	3793804	19782506.0	German
3793997	Forma Therapeutics, Inc.	16/05/2019	3793997	19728257.7	
3794053	Hexcel Composites Limited Hexcel Holding GmbH	17/05/2019	3794053	19723830.6	
3794283	Air Products and Chemicals, Inc.	15/05/2019	3794283	19732772.9	
3794555	Niantic, Inc.	16/05/2019	3794555	19802580.1	
3794650	Raynergy Tek Incorporation	16/04/2019	3794650	19804572.6	
3794718	ebm-papst Mulfingen GmbH & Co. KG	23/07/2019	3794718	19745100.8	German
3795278	The Boeing Company	12/08/2020	3795278	20190729.2	
3795385	Bridgestone Corporation	17/06/2019	3795385	19825493.0	
3795918	LG Electronics Inc.	29/11/2016	3795918	20202092.1	

(10/04/2024)

Journal of the Intellectual Property Office of Ireland

(No. 2513)

3796554	Mitsubishi Electric Corporation	18/05/2018	3796554	18918912.9	
3796766	LG CHEM, LTD.	30/09/2019	3796766	19864873.5	
3798668	Leuze electronic GmbH + Co. KG	03/06/2020	3798668	20177946.9	German
3798771	CLAAS Selbstfahrende Erntemaschinen GmbH	20/07/2020	3798771	20186624.1	German
3799732	Liu, Tuanfang	18/12/2019	3799732	19217359.9	
3799925	Medtronic Inc.	15/06/2017	3799925	20208396.0	
3800058	Videojet Technologies Inc.	27/06/2018	3800058	20207920.8	
3800869	Nokia Technologies Oy	11/10/2018	3800869	20209526.1	
3801283	Université Grenoble Alpes	03/06/2019	3801283	19742435.1	French
3802231	Autoliv ASP, Inc. HONDA MOTOR CO., LTD	01/05/2019	3802231	19810861.5	
3802959	Pearson Engineering Limited	20/05/2019	3802959	19730427.2	
3803016	Pfaltz, Dieter Möllers, Christoph	05/06/2019	3803016	19772820.7	German
3804658	Water Pik, Inc.	08/07/2016	3804658	20201149.0	
3804932	Peikko Group Oy	21/08/2020	3804932	20192045.1	
3805051	Autoliv Development AB	14/05/2019	3805051	19815932.9	
3805437	SGL Carbon SE	02/09/2020	3805437	20194126.7	German
3806111	Senju Metal Industry Co., Ltd.	20/03/2019	3806111	19830980.9	
3806386	ZTE Corporation	08/04/2019	3806386	19806917.1	
3806567	HUAWEI TECHNOLOGIES CO., LTD.	03/06/2019	3806567	19825695.0	
3806580	Shanghai Autoflight Co., Ltd.	12/10/2020	3806580	20201275.3	
3806821	LABOMED PHARMACEUTICAL COMPANY S.A.	18/06/2019	3806821	19732946.9	
3807244	CARBOCODE S.A.	14/06/2019	3807244	19735495.4	
3807448	Applied Materials, Inc.	12/06/2019	3807448	19820231.9	
3807745	Microsoft Technology Licensing, LLC	07/06/2019	3807745	19733324.8	
3807773	FLC Technology Group Inc.	18/06/2019	3807773	19821552.7	
3809088	João de Deus & Filhos, S.A.	18/10/2019	3809088	19398013.3	
3809471	SolAero Technologies, Corp.	19/11/2019	3809471	19210196.2	
3809508	Contemporary Amperex Technology Co., Limited	13/12/2019	3809508	19897089.9	
3810372	Southwest Research Institute	13/06/2019	3810372	19735006.9	
3810373	Southwest Research Institute	13/06/2019	3810373	19740661.4	
3810743	Ecolab USA Inc.	14/06/2019	3810743	19734635.6	

*(10/04/2024)**Journal of the Intellectual Property Office of Ireland**(No. 2513)*

3810996	Samsung Electronics Co., Ltd.	16/08/2019	3810996	19861437.2	
3811093	Safran Electronics & Defense	17/06/2019	3811093	19729800.3	French
3811434	GEDIA Gebrüder Dingerkus GmbH	13/06/2019	3811434	19739866.2	German
3811553	Samsung Electronics Co., Ltd.	14/06/2019	3811553	19823071.6	
3811569	Telefonaktiebolaget LM Ericsson (publ)	23/08/2018	3811569	18756446.3	
3811730	JT International SA	20/06/2019	3811730	19730856.2	
3811870	CEFLA SOCIETA' COOPERATIVA	01/09/2020	3811870	20193839.6	
3811914	Geuder AG	12/08/2020	3811914	20190760.7	German
3812228	Guangzhou Xiaopeng Motors Technology Co., Ltd. Guangzhou Chengxing Zhidong Motors Technology Co., Ltd.	28/06/2019	3812228	19886728.5	
3812629	Shanghai Hongyan Returnable Transit Packagings Co., Ltd.	18/06/2019	3812629	19823645.7	
3813412	Vivo Mobile Communication Co., Ltd.	12/06/2019	3813412	19821517.0	
3813425	ZTE Corporation	27/05/2019	3813425	19821651.7	
3813528	Smart Wave Technologies, Inc.	27/06/2019	3813528	19825562.2	
3813736	Ossur Iceland EHF	18/06/2019	3813736	19735091.1	
3814123	Shamir Optical Industry Ltd ESSILOR INTERNATIONAL	28/06/2019	3814123	19733061.6	
3814557	GlobalWafers Co., Ltd.	25/06/2019	3814557	19740140.9	
3814688	Viega Technology GmbH & Co. KG	26/06/2018	3814688	18739756.7	German
3814720	VOLKSWAGEN AKTIENGESELLSCHAFT	24/06/2019	3814720	19733476.6	German
3815144	Samsung Electronics Co., Ltd.	20/08/2019	3815144	19859349.3	
3815445	Apple Inc.	23/08/2019	3815445	19860605.5	
3815748	Honeywell International Inc.	15/10/2020	3815748	20202159.8	
3816188	National University Corporation Kyoto Institute of Technology Daicel Corporation	01/07/2019	3816188	19825188.6	
3816631	Hitachi High-Tech Corporation	13/05/2019	3816631	19825262.9	
3816660	Hexagon Technology Center GmbH	28/10/2020	3816660	20204389.9	
3817024	LS Electric Co., Ltd.	04/01/2019	3817024	19826289.1	
3817177	Northeastern University	30/07/2019	3817177	19915586.2	
3817379	Kyocera Corporation	21/06/2019	3817379	19827276.7	
3817893	Singer, Norman Y.	03/07/2019	3817893	19829811.9	
3818262	VESTAS WIND SYSTEMS A/S	03/07/2019	3818262	19736978.8	

*(10/04/2024)**Journal of the Intellectual Property Office of Ireland**(No. 2513)*

3819142	Thermo King LLC	08/11/2020	3819142	20206329.3	
3819204	YAMAHA HATSUDOKI KABUSHIKI KAISHA	02/11/2020	3819204	20205169.4	
3819422	Stewi AG	06/11/2019	3819422	19207469.8	German
3820188	Sony Group Corporation	06/06/2019	3820188	19831352.0	
3820625	APTAR France SAS	11/07/2019	3820625	19759640.6	French
3821056	Siemens Healthcare Diagnostics, Inc.	20/06/2019	3821056	19833097.9	
3821227	Van Den Engh, Gerrit Jan	09/07/2019	3821227	19834488.9	
3821591	Connaught Electronics Ltd.	04/07/2019	3821591	19737069.5	
3821656	QUALCOMM INCORPORATED	13/06/2019	3821656	19736870.7	
3821666	Nokia Technologies Oy	30/09/2019	3821666	19932234.8	
3822159	SKF Marine GmbH	11/11/2020	3822159	20206908.4	German
3822655	Airbus Defence and Space Limited	13/11/2019	3822655	19275122.0	
3822656	Leuze electronic GmbH + Co. KG	03/06/2020	3822656	20214071.1	German
3822666	Leuze electronic GmbH + Co. KG	17/07/2020	3822666	20186391.7	German
3822682	Swarovski-Optik AG & Co KG.	12/11/2020	3822682	20207275.7	German
3824222	BSH Hausgeräte GmbH	12/06/2019	3824222	19731211.9	German
3824462	Samsung Electronics Co., Ltd.	24/09/2019	3824462	19887714.4	
3824865	AktiVax, Inc.	20/11/2020	3824865	20209070.0	
3825273	TADANO LTD.	18/07/2019	3825273	19837203.9	
3825450	Whirlpool Corporation	17/11/2020	3825450	20208240.0	
3825761	LG Electronics, Inc.	13/04/2016	3825761	21151641.4	
3826165	General Electric Technology GmbH	20/11/2019	3826165	19275126.1	
3826973	Saint-Gobain Glass France	25/07/2019	3826973	19742385.8	French
3827241	Goldsborough, Andrew Simon Bates, Malcolm Robert	23/07/2019	3827241	19744682.6	
3827719	poresta systems GmbH	28/11/2019	3827719	19212345.3	German
3827893	mitsubishi heavy industries, LTD. The Kansai Electric Power Co., Inc.	23/09/2016	3827893	20213454.0	
3827915	BAOSHAN IRON & STEEL CO., LTD.	19/07/2019	3827915	19841788.3	
3828069	Yamaha Hatsudoki Kabushiki Kaisha	30/08/2019	3828069	19854344.9	
3828554	CHAUVIN ARNOUX	29/10/2020	3828554	20204772.6	French
3828664	Samsung Electronics Co., Ltd.	27/08/2019	3828664	19856014.6	
3829136	Garrett Transportation I Inc.	04/10/2017	3829136	21152079.6	

(10/04/2024)

Journal of the Intellectual Property Office of Ireland

(No. 2513)

3829237	Panasonic Intellectual Property Corporation of America	25/03/2019	3829237	19840694.4	
3829403	Koninklijke Douwe Egberts B.V.	19/07/2019	3829403	19742365.0	
3829908	Brose Fahrzeugteile SE & Co. Kommanditgesellschaft, Bamberg	29/07/2019	3829908	19749287.9	German
3829936	Robert Bosch GmbH	06/06/2019	3829936	19729516.5	German
3829937	Robert Bosch GmbH	06/06/2019	3829937	19729524.9	German
3830203	SIKA TECHNOLOGY AG	24/07/2019	3830203	19742071.4	German
3831844	Prindex S.r.l.	24/06/2016	3831844	20211676.0	
3832324	Bender GmbH & Co. KG	18/11/2020	3832324	20208363.0	German
3832411	OMRON Corporation	10/07/2019	3832411	19843879.8	
3832451	HUAWEI TECHNOLOGIES CO., LTD.	25/03/2019	3832451	19852706.1	
3833007	Sony Semiconductor Solutions Corporation	30/07/2019	3833007	19845060.3	
3833667	Merck Sharp & Dohme LLC	05/08/2019	3833667	19846456.2	
3833930	TAYLOR HOBSON LIMITED	09/08/2019	3833930	19752699.9	German
3834095	Oracle International Corporation	31/07/2019	3834095	19846041.2	
3834742	Intocare Medical Technology (Suzhou) Co., Ltd.	14/11/2019	3834742	19911959.5	
3834752	Covidien LP	20/10/2014	3834752	21154260.0	
3835103	MAN Truck & Bus SE	22/08/2019	3835103	21154361.6	German
3835169	ALSTOM Holdings	11/12/2020	3835169	20213314.6	
3835202	Insitu, Inc. (a Subsidiary Of The Boeing Company)	04/12/2020	3835202	20212007.7	
3835206	B/E Aerospace, Inc.	14/12/2020	3835206	20213947.3	
3835235	1 less GmbH	09/12/2019	3835235	19214513.4	German
3835303	Guangxi Jiufu Biotechnology Co., Ltd	16/10/2019	3835303	19892909.3	
3835529	dormakaba Deutschland GmbH	09/12/2019	3835529	19214427.7	German
3836539	Smits, Gerard Dirk	10/10/2008	3836539	20201393.4	
3837200	Scheffler, Jörg	08/08/2019	3837200	19753033.0	German
3837227	RTX Corporation	24/07/2019	3837227	19849844.6	
3837593	Google LLC	09/10/2019	3837593	19794822.7	
3838197	Biedermann Technologies GmbH & Co. KG	18/12/2019	3838197	19217722.8	
3838253	Toyo Aerosol Industry Co., Ltd.	27/09/2018	3838253	18935713.0	
3838773	Lantech.Com LLC	07/01/2009	3838773	21155178.3	

(10/04/2024)

Journal of the Intellectual Property Office of Ireland

(No. 2513)

3838894	Daewoong Pharmaceutical Co., Ltd.	09/08/2019	3838894	19850413.6	
3839187	ISO-Chemie GmbH	18/12/2019	3839187	19217385.4	German
3839446	Andreas Stihl AG & Co. KG	16/12/2019	3839446	19216523.1	German
3839485	Chemclin Diagnostics Co., Ltd. Chemclin Diagnostics (Shanghai) Co., Ltd.	13/08/2019	3839485	19850656.0	
3839553	Veoneer Sweden AB	20/12/2019	3839553	19218437.2	
3839636	Imec VZW	20/12/2019	3839636	19218700.3	
3839811	Tata Consultancy Services Limited	25/09/2020	3839811	20198487.9	
3840437	HUAWEI TECHNOLOGIES CO., LTD.	04/09/2019	3840437	19858317.1	
3840448	GUANGDONG OPPO MOBILE TELECOMMUNICATIONS CORP., LTD.	29/08/2018	3840448	18931712.6	
3840660	Koninklijke Philips N.V.	13/08/2019	3840660	19753345.8	
3840918	Pro-Dex, Inc.	19/08/2019	3840918	19851881.3	
3840941	agru Kunststofftechnik Gesellschaft m.b.H.	22/05/2019	3840941	19734229.8	German
3840986	SERIN, Murat	15/05/2018	3840986	18919272.7	
3841354	Airborne Motor Works Inc.	26/08/2019	3841354	19875012.7	
3841441	Wittmann Technology GmbH	09/08/2019	3841441	19762291.3	German
3841676	Telefonaktiebolaget LM Ericsson (publ)	21/08/2018	3841676	18758602.9	
3841859	Kubota Corporation	21/05/2019	3841859	19851637.9	
3842667	Wirtgen GmbH	21/12/2020	3842667	20216078.4	German
3842728	Mitsubishi Electric Corporation	22/08/2018	3842728	18930985.9	
3843224	Gigalane Co. Ltd	16/10/2019	3843224	19888023.9	
3843257	OMRON Corporation	07/08/2019	3843257	19852210.4	
3843639	Koninklijke Philips N.V.	28/08/2019	3843639	19783430.2	
3844797	DH Technologies Development Pte. Ltd.	15/08/2019	3844797	19855175.6	
3844931	Nagravision Sàrl	30/08/2019	3844931	19759002.9	
3844988	Dupre, Jean-Luc	31/08/2019	3844988	19759407.0	French
3845147	Ethicon LLC	29/12/2020	3845147	20217682.2	
3845179	Ethicon LLC	29/12/2020	3845179	20217582.4	
3845856	POSCO Co., Ltd	29/08/2019	3845856	19855050.1	
3845975	Omega SA	31/12/2019	3845975	19220189.5	French

(10/04/2024)

Journal of the Intellectual Property Office of Ireland

(No. 2513)

3846520	HUAWEI TECHNOLOGIES CO., LTD.	24/09/2019	3846520	19867326.1	
3846899	Mellem, Krzysztof	01/09/2019	3846899	19779212.0	
3847171	FMC Corporation	17/07/2019	3847171	19746393.8	
3847223	Laboratoire CIR Inc.	06/09/2018	3847223	18932592.1	
3847371	Stem Numerical Engineering S.r.l.	06/09/2019	3847371	19780401.6	
3847549	Microsoft Technology Licensing, LLC	24/09/2019	3847549	19783797.4	
3847910	Liu, Tuanfang	22/09/2020	3847910	20197431.8	
3847943	Guangdong Midea White Home Appliance Technology Innovation Center Co., Ltd. Midea Group Co., Ltd.	21/12/2018	3847943	18936967.1	
3848066	National Institute for Materials Science	27/08/2019	3848066	19858375.9	
3848140	Braun, Magdalena	19/11/2020	3848140	20208620.3	German
3848263	NISSAN MOTOR CO., LTD.	04/09/2018	3848263	18932919.6	
3848273	NIPPON STEEL CORPORATION	23/10/2019	3848273	19875161.2	
3848304	SCHOTT POONAWALLA PRIVATE LIMITED SCHOTT Pharma Schweiz AG	22/09/2020	3848304	20197411.0	
3848440	i-clean Technologies GmbH	05/01/2021	3848440	21150188.7	German
3849741	CHIRON Group SE	30/08/2019	3849741	19762364.8	German
3849879	AgJunction LLC	12/09/2019	3849879	19779258.3	
3850282	Carrier Corporation	04/09/2019	3850282	19769687.5	
3851144	Maquet Critical Care AB	12/09/2013	3851144	21161825.1	
3851150	Drägerwerk AG & Co. KGaA	05/01/2021	3851150	21150132.5	German
3851235	Leicht, Eva Maria	15/01/2020	3851235	20151944.4	German
3851650	CNH Industrial Italia S.p.A.	19/01/2021	3851650	21152262.8	
3851761	VECAMCO S.r.l.	14/01/2021	3851761	21151609.1	
3852007	Beijing Baidu Netcom Science and Technology Co., Ltd	01/06/2021	3852007	21177154.8	
3852095	BOE TECHNOLOGY GROUP CO., LTD.	05/06/2019	3852095	19831582.2	
3852102	BlackBerry Limited	14/01/2021	3852102	21151606.7	
3852314	NXP B.V.	17/01/2020	3852314	20152539.1	
3853046	Continental Automotive Technologies GmbH	09/09/2019	3853046	19766224.0	
3853192	SABIC Global Technologies B.V.	16/09/2019	3853192	19787444.9	

(10/04/2024)

Journal of the Intellectual Property Office of Ireland

(No. 2513)

3853490	Muhr und Bender KG	13/09/2019	3853490	19769136.3	German
3853497	Firestone Industrial Products Company, LLC	05/09/2019	3853497	19772926.2	
3854047	Microsoft Technology Licensing, LLC	28/06/2019	3854047	19740265.4	
3854301	Samsung Electronics Co., Ltd.	22/12/2020	3854301	20216581.7	
3854303	Shin-Etsu Chemical Co., Ltd.	22/01/2021	3854303	21153053.0	
3854391	SK Biopharmaceuticals Co., Ltd.	20/09/2019	3854391	19861698.9	
3854729	TRANSNORM SYSTEM GmbH	06/01/2021	3854729	21150433.7	
3855487	At&S (China) Co., Ltd.	30/12/2020	3855487	20217845.5	
3855644	HUAWEI TECHNOLOGIES CO., LTD.	24/03/2017	3855644	20207082.7	
3856038	Kardion GmbH	24/09/2019	3856038	19778938.1	German
3856123	Georgia-Pacific Mt. Holly LLC	31/01/2019	3856123	19705666.6	
3856638	Diehl Aviation Laupheim GmbH	24/09/2019	3856638	19779786.3	German
3856641	BRULIC LTD	26/09/2019	3856641	19780304.2	
3857317	Fraunhofer-Gesellschaft zur Förderung der angewandten Forschung e.V.	25/09/2019	3857317	19782510.2	German
3857648	Unify Patente GmbH & Co. KG	28/09/2018	3857648	18779674.3	
3857658	Siemens Energy Global GmbH & Co. KG	05/11/2019	3857658	19802105.7	German
3857899	Koninklijke Philips N.V.	16/09/2019	3857899	19769156.1	
3858213	Miele & Cie. KG	06/01/2021	3858213	21150356.0	German
3858627	CANON KABUSHIKI KAISHA	26/01/2021	3858627	21153487.0	
3859177	NTN Corporation	26/09/2019	3859177	19864191.2	
3859320	Rigaku Corporation	19/06/2019	3859320	19867600.9	
3859429	Varjo Technologies Oy	19/01/2021	3859429	21152223.0	
3859482	Simmonds Precision Products, Inc.	28/01/2021	3859482	21154121.4	
3860173	FUJITSU LIMITED	25/09/2018	3860173	18935560.5	
3860205	Beijing Xiaomi Mobile Software Co., Ltd.	12/10/2018	3860205	18936600.8	
3861168	OUTLIER SOLUTIONS, LLC	01/10/2019	3861168	19790376.8	
3861660	QUALCOMM INCORPORATED	20/09/2019	3861660	19782850.2	
3862015	Nibec Co., Ltd.	29/08/2019	3862015	19855142.6	
3862490	Kramer-Werke GmbH	28/01/2021	3862490	21154069.5	German
3862567	Curtiss-Wright Electro-Mechanical Corporation	03/02/2021	3862567	21154991.0	
3862803	Hand Held Products, Inc.	29/01/2021	3862803	21154455.6	

(10/04/2024)

Journal of the Intellectual Property Office of Ireland

(No. 2513)

3863184	Kollmorgen Corporation	23/09/2016	3863184	21166355.4	
3863534	Medtronic, Inc.	09/10/2019	3863534	19795390.4	
3864215	LG Electronics Inc.	11/10/2019	3864215	19870408.2	
3864895	QUALCOMM INCORPORATED	08/10/2019	3864895	19797416.5	
3865012	Wonderland Switzerland AG	18/04/2019	3865012	21167869.3	
3865212	The University of British Columbia	28/03/2014	3865212	21151023.5	
3865767	Magic Leap, Inc.	17/04/2017	3865767	21167309.0	
3865880	Rosemount Aerospace Inc.	10/12/2020	3865880	20213223.9	
3867118	Waymo LLC	18/11/2019	3867118	19896166.6	
3867172	Heuft Systemtechnik GmbH	18/10/2019	3867172	19794110.7	German
3869421	Google LLC	06/11/2015	3869421	21167735.6	
3869473	SCAN COIN AB	21/02/2020	3869473	20158757.3	
3869636	TOYOTA JIDOSHA KABUSHIKI KAISHA Toyota School Foundation	11/02/2021	3869636	21156518.9	
3869809	Google LLC	16/11/2016	3869809	21157530.3	
3869877	NTT DoCoMo, Inc.	24/02/2020	3869877	20159073.4	
3869946	Micro-Sensys GmbH	21/10/2019	3869946	19794464.8	German
3870788	Brose Fahrzeugteile SE & Co. Kommanditgesellschaft, Bamberg	29/11/2019	3870788	19816568.0	German
3870810	SAFRAN AIRCRAFT ENGINES	16/10/2019	3870810	19808630.8	French
3870978	Lisa Dräxlmaier GmbH	22/10/2018	3870978	18795364.1	German
3871147	Zhejiang Dahua Technology Co., Ltd.	27/12/2018	3871147	18944695.8	
3871380	Cisco Technology, Inc.	22/10/2019	3871380	19802392.1	
3871577	Phoenix Product Development Limited	01/03/2013	3871577	21169216.5	
3871692	Zhang, Jing	06/05/2020	3871692	20822972.4	
3871724	Intersurgical AG	26/02/2021	3871724	21159678.8	
3871832	DMG Mori Co., Ltd.	08/10/2019	3871832	19879077.6	
3871860	Kocel Intelligent Machinery Limited	24/07/2020	3871860	20793548.7	
3872632	MAZDA MOTOR CORPORATION	26/01/2021	3872632	21153558.8	
3872657	NIPPON TELEGRAPH AND TELEPHONE CORPORATION	23/10/2019	3872657	19875510.0	
3872660	NIPPON TELEGRAPH AND TELEPHONE CORPORATION	13/11/2019	3872660	19889264.8	
3872703	Beijing Baidu Netcom Science and Technology Co., Ltd.	07/07/2021	3872703	21184262.0	
3873113	NXP USA, Inc.	26/01/2021	3873113	21153534.9	

*(10/04/2024)**Journal of the Intellectual Property Office of Ireland**(No. 2513)*

3873168	HUAWEI TECHNOLOGIES CO., LTD.	01/11/2017	3873168	21154382.2	
3873690	BAE SYSTEMS plc	30/10/2019	3873690	19798349.7	
3873705	Apptronik, Inc.	30/10/2019	3873705	19878009.0	
3873790	KNORR-BREMSE Systeme für Nutzfahrzeuge GmbH	29/10/2019	3873790	19795552.9	German
3873963	3M Innovative Properties Company	24/10/2019	3873963	19794702.1	
3873983	Borealis AG	30/10/2019	3873983	19797251.6	
3874138	Aerojet Rocketdyne, Inc.	30/10/2018	3874138	18801235.5	
3874623	QUALCOMM Incorporated	01/11/2018	3874623	18938462.1	
3874654	Fraunhofer-Gesellschaft zur Förderung der angewandten Forschung e.V.	31/10/2019	3874654	19801767.5	
3875213	OMRON Corporation	25/09/2019	3875213	19880766.1	
3875447	Hanwha Solutions Corporation	16/09/2019	3875447	19899324.8	
3878191	Microsoft Technology Licensing, LLC	29/10/2019	3878191	19805471.0	
3878649	Metsäliitto Osuuskunta	24/03/2017	3878649	21166116.0	
3878666	BRIDGESTONE CORPORATION	18/12/2019	3878666	19903886.0	
3879678	Sumitomo Heavy Industries, Ltd.	25/02/2021	3879678	21159128.4	
3879793	Deutsche Telekom AG	13/03/2020	3879793	20162979.7	
3880006	Unilever IP Holdings B.V.	24/10/2019	3880006	19795515.6	
3880491	Bridgestone Americas Tire Operations, LLC	23/10/2019	3880491	19885611.4	
3880681	ImmunoGen, Inc.	11/11/2019	3880681	19817455.9	
3880904	Tolson, Tommy	13/11/2019	3880904	19823926.1	
3881082	Aixinno Limited	16/11/2018	3881082	18803989.5	
3881922	Donaldson Company, Inc.	19/03/2020	3881922	20164153.7	
3881984	NEC Corporation	08/11/2019	3881984	19884495.3	
3882198	Otis Elevator Company	11/12/2020	3882198	20213509.1	
3882379	Drylyte, S.L.	06/11/2019	3882379	19884027.4	
3882505	Leuze electronic GmbH + Co. KG	16/03/2020	3882505	20163269.2	German
3882601	SYSMEX CORPORATION	18/02/2021	3882601	21157851.3	
3882621	Japan Aviation Electronics Industry, Ltd. Tohoku University	02/11/2016	3882621	21173102.1	
3882695	Panasonic Intellectual Property Management Co., Ltd.	16/05/2019	3882695	19813711.9	
3882715	Omega SA	19/03/2020	3882715	20164304.6	French

(10/04/2024)

Journal of the Intellectual Property Office of Ireland

(No. 2513)

3883033	Contemporary Amperex Technology Co., Limited	22/02/2019	3883033	19903839.9	
3883034	LG Energy Solution, Ltd.	15/01/2020	3883034	20741812.0	
3883123	Panasonic Intellectual Property Management Co., Ltd.	16/10/2019	3883123	19883375.8	
3883190	NIPPON TELEGRAPH AND TELEPHONE CORPORATION	03/12/2019	3883190	19901078.6	
3883519	Stiplastics	19/11/2019	3883519	19831787.7	French
3883852	BAE SYSTEMS plc	30/10/2019	3883852	19797778.8	
3884373	Microsoft Technology Licensing, LLC	29/10/2019	3884373	19805842.2	
3884705	Samsung Electronics Co., Ltd.	04/05/2020	3884705	20801825.9	
3884853	Zevex, Inc.	17/05/2017	3884853	21173496.7	
3884942	Yunnan Haopy Pharmaceuticals Ltd	13/06/2019	3884942	19888102.1	
3885110	MSK - Verpackungs-Systeme GmbH	24/03/2020	3885110	20165392.0	German
3885130	LG Chem, Ltd.	19/11/2019	3885130	19887725.0	
3885221	AISIN CORPORATION	25/03/2021	3885221	21165076.7	
3885582	Robert Bosch GmbH	08/07/2009	3885582	21168497.2	German
3885635	Leuze electronic GmbH + Co. KG	04/11/2020	3885635	20205594.3	German
3885680	ELECTROLUX APPLIANCES AKTIEBOLAG	24/03/2020	3885680	20165291.4	
3885713	Honeywell International Inc.	22/03/2021	3885713	21164087.5	
3885825	Zhejiang Jingyi New Material Technology Co. Ltd	15/11/2019	3885825	19886414.2	
3885950	INTEL Corporation	04/12/2020	3885950	20211742.0	
3886131	Ford Global Technologies, LLC	27/03/2020	3886131	20166134.5	German
3886254	LG Electronics Inc.	18/11/2019	3886254	19886535.4	
3886742	Medacta International SA	21/11/2019	3886742	19805508.9	
3886894	Juno Therapeutics, Inc.	29/11/2019	3886894	19824223.2	
3886959	Neuwave Medical, Inc.	26/11/2019	3886959	19816899.9	
3887085	Kulicke and Soffa Industries, Inc.	25/11/2019	3887085	19890498.9	
3887265	Krones AG	27/09/2019	3887265	19780203.6	German
3887869	Istituto Nazionale di Fisica Nucleare	29/11/2019	3887869	19831899.0	
3887872	Chevron U.S.A. Inc.	25/11/2019	3887872	19809926.9	
3887982	Visa International Service Association	26/11/2019	3887982	19888761.4	
3888187	Samsung Electronics Co., Ltd.	23/04/2020	3888187	20796294.5	
3888948	Continental Reifen Deutschland GmbH	02/12/2020	3888948	20211173.8	German
3889306	POSCO Co., Ltd	26/11/2019	3889306	19890581.2	

*(10/04/2024)**Journal of the Intellectual Property Office of Ireland**(No. 2513)*

3890579	Kimberly-Clark Worldwide, Inc.	04/12/2019	3890579	19892320.3	
3890814	Chiesi Farmaceutici S.p.A.	29/11/2019	3890814	19812989.2	
3891049	Stellantis Auto SAS	19/11/2019	3891049	19832168.9	French
3891374	Safran Nacelles	03/12/2019	3891374	19839352.2	French
3891428	Sicher Protection Ltd	01/12/2019	3891428	19891709.8	
3891542	NORTHROP GRUMMAN SYSTEMS CORPORATION	21/10/2019	3891542	19883326.1	
3891658	Microsoft Technology Licensing, LLC	30/12/2019	3891658	19845878.8	
3891811	Yangtze Memory Technologies Co., Ltd.	23/08/2019	3891811	19943674.2	
3893295	LG Energy Solution, Ltd.	16/01/2020	3893295	20742002.7	
3893434	Huawei Technologies Co., Ltd.	28/12/2018	3893434	18944755.0	
3893504	Samsung Display Co., Ltd.	23/03/2021	3893504	21164402.6	
3894457	SWIMC LLC	26/11/2019	3894457	19849060.9	
3895166	MICRON TECHNOLOGY, INC.	25/11/2019	3895166	19895192.3	
3895451	Huawei Technologies Co., Ltd.	25/01/2019	3895451	19701661.1	
3895498	Huawei Technologies Co., Ltd.	09/01/2019	3895498	19700356.9	
3895931	GIP Campus Esprit Industries Adeos	16/04/2021	3895931	21168891.6	French
3896039	Corning Incorporated	12/10/2017	3896039	21178289.1	
3896344	STEELFORM Srl	08/04/2021	3896344	21167396.7	
3896349	Samsung Electronics Co., Ltd.	22/01/2020	3896349	20748242.3	
3896374	Xiamen Aquasu Electric Shower Co., Ltd.	17/04/2020	3896374	20170213.1	
3896455	Hitachi High-Tech Corporation	12/11/2019	3896455	19897391.9	
3896632	Bull SAS	17/04/2020	3896632	20170215.6	French
3896695	STMicroelectronics (Rousset) SAS STMicroelectronics S.r.l.	08/04/2021	3896695	21167345.4	French
3896714	Mitsubishi Electric Corporation	10/12/2018	3896714	18943317.0	
3897729	DDP Speciality Electronics Materials US, Inc.	17/12/2019	3897729	19836895.3	
3897903	Merck Patent GmbH	17/12/2019	3897903	19828680.9	
3898166	John Guest International Limited	13/12/2019	3898166	19823960.0	
3898772	DENTSPLY DETREY GmbH DENTSPLY SIRONA Inc.	17/12/2019	3898772	19832887.4	
3898886	Shoei Chemical Inc.	21/01/2020	3898886	20706910.5	

(10/04/2024)

Journal of the Intellectual Property Office of Ireland

(No. 2513)

3899127	ELECTROLUX APPLIANCES AKTIEBOLAG	21/12/2018	3899127	18827121.7	
3899128	ELECTROLUX APPLIANCES AKTIEBOLAG	21/12/2018	3899128	18827122.5	
3899245	LM Wind Power A/S	19/12/2018	3899245	18836756.9	
3900938	Shenzhen HosonSoft Co., Ltd	28/09/2019	3900938	19899605.0	
3901043	Premium AEROTEC GmbH	20/04/2021	3901043	21169382.5	German
3901503	The Yokohama Rubber Co., Ltd.	08/11/2019	3901503	19897730.8	
3901636	Rosemount Aerospace Inc.	22/04/2021	3901636	21169946.7	
3902441	SEB S.A.	26/12/2019	3902441	19828790.6	French
3903077	BASF Coatings GmbH	30/01/2020	3903077	20702027.2	German
3903185	Microsoft Technology Licensing, LLC	23/12/2019	3903185	19842988.8	
3903198	Telefonaktiebolaget LM Ericsson (publ)	24/12/2018	3903198	18945149.5	
3903470	Microsoft Technology Licensing, LLC	20/12/2019	3903470	19839606.1	
3903757	Syspal Holdings Limited	29/04/2021	3903757	21171370.6	
3904618	Spurgin Leonhart	28/04/2021	3904618	21170859.9	French
3904643	General Electric Technology GmbH	22/03/2021	3904643	21164114.7	
3904896	Bender GmbH & Co. KG	20/04/2021	3904896	21169290.0	German
3905037	VIVO MOBILE COMMUNICATION CO., LTD.	20/12/2019	3905037	19905951.0	
3905424	GS Yuasa International Ltd. NTT Communications Corporation	20/12/2019	3905424	19904057.7	
3905426	LG Energy Solution, Ltd.	27/05/2020	3905426	20827285.6	
3905437	VIVO MOBILE COMMUNICATION CO., LTD.	18/12/2019	3905437	19905942.9	
3905718	YAMAHA CORPORATION	24/03/2017	3905718	21180644.3	
3905887	van Cruchten, Guy	03/01/2020	3905887	20700037.3	French
3905909	Nicoventures Trading Limited	20/12/2019	3905909	19835403.7	
3905918	Tumi, Inc.	03/01/2019	3905918	19702141.3	
3905962	Mayo Foundation for Medical Education and Research	06/01/2020	3905962	20705542.7	
3906490	Microsoft Technology Licensing, LLC	17/12/2019	3906490	19839486.8	
3906508	Intel Corporation	23/04/2019	3906508	19907690.2	
3906663	GoPro, Inc.	02/01/2020	3906663	20703570.0	
3906741	QUALCOMM Incorporated	03/01/2020	3906741	20702544.6	
3907058	MAGNA Energy Storage Systems GesmbH	19/05/2020	3907058	20175384.5	German

(10/04/2024)

Journal of the Intellectual Property Office of Ireland

(No. 2513)

3907338	Bradley Fixtures, LLC	30/04/2021	3907338	21275050.9	
3907340	SCHÜCO International KG	08/03/2021	3907340	21161261.9	German
3907352	Green, Gary	04/05/2021	3907352	21172022.2	
3907526	Melexis Technologies NV	08/05/2020	3907526	20173636.0	
3907540	Corning Research & Development Corporation	30/04/2021	3907540	21171670.9	
3907857	ABB Schweiz AG	06/05/2020	3907857	20173122.1	
3907912	HUAWEI TECHNOLOGIES CO., LTD.	02/08/2017	3907912	21166095.6	
3908089	Powersoft SpA	04/05/2021	3908089	21172067.7	
3908154	Innotec Motion GmbH	10/01/2020	3908154	20700572.9	German
3908166	Miele & Cie. KG	06/01/2020	3908166	20700339.3	German
3908213	Legacy Ventures LLC	07/01/2020	3908213	20702560.2	
3908450	AM Design e.U.	07/01/2020	3908450	20701513.2	German
3908557	SAINT-GOBAIN ISOVER	08/01/2020	3908557	20705411.5	French
3908836	ETH Zürich	20/12/2019	3908836	19832687.8	
3908874	Carl Zeiss AG	09/01/2020	3908874	20702069.4	German
3909102	Panduit Corp.	03/01/2020	3909102	20702709.5	
3909351	QUALCOMM INCORPORATED	06/01/2020	3909351	20703585.8	
3909688	Saito, Fuminori Ikeda, Tokihiro	26/12/2019	3909688	19909246.1	
3910172	FPT Motorenforschung AG	12/05/2021	3910172	21173468.6	
3910175	General Electric Technology GmbH	29/04/2021	3910175	21171366.4	
3910865	LG Electronics Inc.	02/05/2018	3910865	21182541.9	
3910928	Parkling GmbH	15/05/2020	3910928	20174906.6	German
3911553	thyssenkrupp Presta AG thyssenkrupp AG	13/01/2020	3911553	20700694.1	German
3911719	Honeywell International Inc.	15/01/2020	3911719	20741348.5	
3912133	Arca Dynamics Societa' a Responsabilita' Limitata Semplificata	15/01/2020	3912133	20705105.3	
3912283	Leonardo UK Ltd	15/01/2020	3912283	20701007.5	
3912875	CNH Industrial Italia S.p.A.	20/05/2021	3912875	21174957.7	
3913186	TPH Bausysteme GmbH	20/05/2020	3913186	20175790.3	German
3913192	Rolls-Royce plc	14/11/2019	3913192	21184444.4	
3913621	NIPPON TELEGRAPH AND TELEPHONE CORPORATION	07/01/2020	3913621	20741127.3	

(10/04/2024)

Journal of the Intellectual Property Office of Ireland

(No. 2513)

3913623	NIPPON TELEGRAPH AND TELEPHONE CORPORATION	07/01/2020	3913623	20741365.9	
3913624	NIPPON TELEGRAPH AND TELEPHONE CORPORATION	07/01/2020	3913624	20741452.5	
3913854	Visa International Service Association	19/10/2016	3913854	21186266.9	
3913862	HUAWEI TECHNOLOGIES CO., LTD.	19/05/2021	3913862	21174689.6	
3914114	G.D SOCIETA' PER AZIONI	21/01/2020	3914114	20706580.6	
3914464	Brose Fahrzeugteile SE & Co. Kommanditgesellschaft, Bamberg	24/01/2020	3914464	20702593.3	German
3914572	Universidade de Aveiro	17/04/2020	3914572	20723532.6	
3914617	Alexion Pharmaceuticals, Inc.	24/01/2020	3914617	20708762.8	
3914734	President and Fellows of Harvard College	24/01/2020	3914734	20770552.6	
3914813	VOLKSWAGEN AKTIENGESELLSCHAFT	16/01/2020	3914813	20701022.4	German
3915145	Yangtze Memory Technologies Co., Ltd.	28/08/2019	3915145	19943801.1	
3915849	NISSAN MOTOR Co., Ltd. Renault s.a.s	22/01/2019	3915849	19910921.6	
3916182	Julius Blum GmbH	17/04/2018	3916182	21187242.9	German
3916209	VOLKSWAGEN AG	01/04/2021	3916209	21166581.5	German
3916239	ebm-papst Mulfingen GmbH & Co. KG	10/05/2021	3916239	21172988.4	German
3916745	ABB Schweiz AG	28/05/2020	3916745	20177074.0	
3917925	Incyte Corporation	28/01/2020	3917925	20709807.0	
3918088	MGI Tech Co., Ltd. BGI Shenzhen	29/01/2020	3918088	20749055.8	
3918163	Kason Industries, Inc.	29/01/2020	3918163	20748386.8	
3918179	Saltel Industries	23/01/2020	3918179	20701466.3	
3918350	Soraytec Scandinavia	16/01/2020	3918350	20701423.4	
3918965	Garcia Martin, Isidoro	28/01/2020	3918965	20710209.6	
3918991	Hill-Rom Services, Inc.	03/06/2021	3918991	21177596.0	
3919105	Löwenstein Medical Technology S.A.	17/05/2021	3919105	21000138.4	German
3919189	Guangdong Huarun Paints Co., Ltd.	14/01/2020	3919189	20749741.3	
3919408	LANXESS Deutschland GmbH	05/06/2020	3919408	20178455.0	German
3920325	Continental Automotive Technologies GmbH	05/06/2020	3920325	20465532.8	

3920671	BOE Technology Group Co., Ltd. Chengdu BOE Optoelectronics Technology Co., Ltd.	30/03/2020	3920671	20748629.1	
3921547	IFP Energies nouvelles	14/01/2020	3921547	20700299.9	French
3921936	Sew-Eurodrive GmbH & Co. KG	23/01/2020	3921936	20702199.9	German
3922379	Heraeus Amloy Technologies GmbH	09/06/2020	3922379	20179001.1	German
3922410	Grip Holdings LLC	12/07/2018	3922410	21189441.5	
3922565	H3 Dynamics Holdings Pte. Ltd.	17/08/2016	3922565	21189802.8	
3922897	LG Electronics Inc.	11/09/2020	3922897	20195653.9	
3922935	LG Electronics Inc.	20/12/2018	3922935	21183174.8	
3923128	Samsung Electronics Co., Ltd.	06/07/2020	3923128	20184288.7	
3923208	Disney Enterprises, Inc.	01/06/2021	3923208	21177007.8	
3923598	Huawei Technologies Co., Ltd.	29/06/2020	3923598	20834602.3	
3923601	Beijing Xiaomi Mobile Software Co., Ltd.	18/01/2021	3923601	21152017.6	
3924950	Audi AG	17/01/2020	3924950	20701930.8	German
3925435	Globe (Jiangsu) Co., Ltd.	14/06/2021	3925435	21179319.5	
3925780	CANON KABUSHIKI KAISHA	15/06/2021	3925780	21179528.1	
3926141	ANSALDO ENERGIA S.p.A.	15/06/2020	3926141	20425018.7	
3926150	Koehler Renewable Energy GmbH	18/06/2020	3926150	20180947.2	German
3926440	Samsung Display Co., Ltd.	17/06/2021	3926440	21180163.4	
3926451	INTEL Corporation	22/12/2020	3926451	20216290.5	
3926544	Tata Consultancy Services Limited	16/12/2020	3926544	20214398.8	
3926762	Schneider Electric Industries SAS	12/04/2021	3926762	21305476.0	German
3927901	Apulia Innovative Technologies S.r.l.	05/02/2020	3927901	20710627.9	
3928611	Andreas Stihl AG & Co. KG	24/06/2020	3928611	20181948.9	German
3928935	Dorco Co., Ltd.	31/05/2021	3928935	21176861.9	
3929139	Airbus Defence and Space GmbH	20/05/2021	3929139	21175127.6	German
3929395	View, Inc.	26/10/2016	3929395	21185911.1	
3929911	Casio Computer Co., Ltd.	11/06/2021	3929911	21179111.6	
3930020	Samsung Display Co., Ltd.	31/12/2019	3930020	19916109.2	
3930075	Contemporary Amperex Technology Co., Limited	25/09/2020	3930075	20904212.6	
3932237	NIKE Innovate C.V.	08/03/2017	3932237	21192738.9	
3932247	Tuuci Worldwide, LLC	29/06/2021	3932247	21182569.0	
3932340	Neuravi Limited	28/06/2021	3932340	21181928.9	
3932594	Seco Tools Tooling Systems	30/06/2020	3932594	20315331.7	

(10/04/2024)

Journal of the Intellectual Property Office of Ireland

(No. 2513)

3933250	Westnetz GmbH	28/06/2021	3933250	21182077.4	German
3933496	Beijing Xiaomi Mobile Software Co., Ltd.	26/03/2021	3933496	21165107.0	
3933641	Alipay Labs (Singapore) Pte. Ltd.	14/06/2021	3933641	21179261.9	
3934320	Huawei Technologies Co., Ltd.	03/06/2016	3934320	21177183.7	
3934624	Futura Medical Developments Limited	22/10/2020	3934624	20800255.0	
3935510	International Business Machines Corporation	06/03/2020	3935510	20710115.5	
3935902	Samsung Electronics Co., Ltd.	23/11/2020	3935902	20890657.8	
3936699	Cummins Ltd	30/07/2018	3936699	21193657.0	
3936893	Huawei Technologies Co., Ltd.	04/04/2019	3936893	19922528.5	
3937655	Versuni Holding B.V.	14/02/2020	3937655	20704878.6	
3938113	Trade Fixtures, LLC	13/03/2020	3938113	20769991.9	
3938735	Parpas S.p.A.	13/03/2020	3938735	20718367.4	
3939216	Microsoft Technology Licensing, LLC	23/03/2020	3939216	20721856.1	
3939531	Medtronic Ardian Luxembourg S.à.r.l.	05/10/2005	3939531	21195951.5	
3940134	Wuxi Little Swan Electric Co., Ltd.	25/12/2019	3940134	19945958.7	
3940200	Rolls-Royce Deutschland Ltd & Co KG Rolls-Royce plc	09/08/2019	3940200	21195914.3	German
3940216	Purem GmbH	10/06/2021	3940216	21178662.9	German
3940472	OMRON Corporation	27/02/2020	3940472	20770644.1	
3940547	SAP SE	25/09/2020	3940547	20198387.1	
3940854	Contemporary Amperex Technology Co., Limited	31/07/2020	3940854	20853485.9	
3940924	Xinjiang Goldwind Science & Technology Co., Ltd.	07/02/2020	3940924	20787468.6	
3940942	Nokia Technologies Oy	06/05/2008	3940942	21180333.3	
3941112	IPLA Holdings Inc.	29/06/2016	3941112	21188848.2	
3941685	Apex Brands, Inc.	03/04/2020	3941685	20783594.3	
3942462	L'OREAL	22/04/2020	3942462	20721519.5	
3943042	SONENDO, INC.	20/12/2013	3943042	21175783.6	
3943453	LG CHEM, LTD.	11/01/2021	3943453	21738572.3	
3943539	LG CHEM, LTD.	18/12/2020	3943539	20902298.7	
3943558	TIC Technology Innovation Competence GmbH	20/07/2020	3943558	20186726.4	German
3944201	SPP Technologies Co., Ltd.	22/03/2019	3944201	19920663.2	
3944870	TERUMO Kabushiki Kaisha	29/07/2021	3944870	21188481.2	

(10/04/2024)

Journal of the Intellectual Property Office of Ireland

(No. 2513)

3944981	ALSTOM Holdings	26/07/2021	3944981	21187591.9	French
3945126	BASF SE	31/07/2020	3945126	20188966.4	
3945410	GEOTAB Inc.	17/06/2021	3945410	21179930.9	
3945440	Alipay (Hangzhou) Information Technology Co., Ltd.	24/06/2021	3945440	21181318.3	
3945769	Yamabiko Europe	26/05/2021	3945769	21728900.8	French
3945831	Marmon Foodservice Technologies, Inc.	31/03/2020	3945831	20784050.5	
3946558	Memstim, LLC	03/04/2020	3946558	20784158.6	
3946575	JK-Holding GmbH	02/04/2020	3946575	20718808.7	German
3947085	VOLVO TRUCK CORPORATION	05/04/2019	3947085	19718089.6	
3947088	VOLVO TRUCK CORPORATION	05/04/2019	3947088	19718088.8	
3947090	Mitsubishi Electric Corporation	09/01/2020	3947090	20706022.9	
3947519	DDP Specialty Electronic Materials US, LLC	27/03/2020	3947519	20721906.4	
3948187	BASF Coatings GmbH	25/03/2020	3948187	20716720.6	
3948409	Centre national de la recherche scientifique Université Paris-Saclay	27/03/2020	3948409	20713320.8	French
3949172	Mitsubishi Electric Corporation	24/03/2020	3949172	20719774.0	
3949864	Samsung Medison Co., Ltd.	20/11/2019	3949864	19924583.8	
3950252	RubberSubstitute4.0 SA	05/08/2020	3950252	20189633.9	German
3951039	3con Anlagebau GmbH	03/08/2020	3951039	20189205.6	German
3951289	Qingdao Haier Refrigerator Co., Ltd Haier Smart Home Co., Ltd.	10/09/2019	3951289	19921143.4	
3951426	Samsung Electronics Co., Ltd.	20/03/2020	3951426	20783071.2	
3951533	Novity, Inc.	30/06/2021	3951533	21182988.2	
3951833	Hitachi High-Tech Corporation	22/01/2020	3951833	20778417.4	
3951978	Contemporary Amperex Technology Co., Limited	25/04/2021	3951978	21790350.9	
3952036	Fujikura Ltd.	27/03/2020	3952036	20782588.6	
3952224	OMRON Corporation	10/02/2020	3952224	20782535.7	
3952398	Huawei Technologies Co., Ltd.	30/03/2020	3952398	20776442.4	
3952406	HONDA MOTOR CO., LTD.	29/03/2019	3952406	19923025.1	
3952574	Huawei Technologies Co., Ltd.	08/06/2020	3952574	20818778.1	
3952689	Right Size Company OY	03/04/2020	3952689	20787553.5	
3952693	L'OREAL	07/04/2020	3952693	20716480.7	

(10/04/2024)

Journal of the Intellectual Property Office of Ireland

(No. 2513)

3952872	Richter Gedeon Nyrt.	09/04/2020	3952872	20719737.7	
3953159	Siemens Gamesa Renewable Energy A/S	15/05/2020	3953159	20728982.8	
3953184	Lsinc Corporation	30/07/2019	3953184	19924539.0	
3953640	ZKW Group GmbH	16/03/2020	3953640	20714494.0	German
3954663	AGC INC.	07/04/2020	3954663	20787888.5	
3955128	Schneider Electric Industries SAS	11/08/2020	3955128	20305923.3	
3956139	Saint-Gobain Glass France	24/03/2020	3956139	20712577.4	German
3956202	Terberg Benschop B.V.	16/04/2020	3956202	20720143.5	
3956667	Takeda Pharmaceutical Company Limited	15/04/2020	3956667	20724974.9	
3957341	Zhejiang University Hangzhou Zeo-Innov Life Technology Co., Ltd.	18/08/2021	3957341	21192010.3	
3957441	SFS Group Germany GmbH	18/08/2020	3957441	20191453.8	German
3957796	CM1 GmbH	21/08/2020	3957796	20192076.6	German
3957835	HUSCO Automotive Holdings LLC	13/08/2021	3957835	21191313.2	
3958002	TE Connectivity Germany GmbH	20/08/2020	3958002	20191880.2	
3958542	GEOTAB Inc.	22/07/2021	3958542	21187168.6	
3958627	GUANGDONG OPPO MOBILE TELECOMMUNICATIONS CORP., LTD.	05/07/2019	3958627	19936711.1	
3958812	Warsaw Orthopedic, Inc.	18/10/2019	3958812	19926143.9	
3958994	Cytiva Sweden AB	16/04/2020	3958994	20719999.3	
3958996	RT-Filtertechnik GmbH	05/06/2020	3958996	20731056.6	German
3959054	L'AIR LIQUIDE, SOCIETE ANONYME POUR L'ETUDE ET L'EXPLOITATION DES PROCEDES GEORGES CLAUDE	24/04/2020	3959054	20725625.6	
3959377	Re-Board Technology AB	23/04/2020	3959377	20723301.6	
3959424	Eaton Intelligent Power Limited	24/04/2020	3959424	20723990.6	
3959464	FERRARI S.p.A.	04/12/2020	3959464	20829654.1	
3959634	International Business Machines Corporation	01/04/2020	3959634	20717144.8	
3959647	Volkswagen AG	27/05/2020	3959647	20729042.0	German
3959652	Google LLC	22/05/2020	3959652	20733102.6	
3960004	Shenzhen Eigate Technology Co., Ltd.	22/12/2020	3960004	20216493.5	

(10/04/2024)

Journal of the Intellectual Property Office of Ireland

(No. 2513)

3960416	SUMITOMO CHEMICAL COMPANY, LIMITED	13/03/2020	3960416	20795533.7	
3960417	SUMITOMO CHEMICAL COMPANY, LIMITED	13/03/2020	3960417	20795689.7	
3960550	Autoliv Development AB	24/03/2020	3960550	20794420.8	
3960579	Mitsubishi Electric Corporation	31/08/2020	3960579	20193622.6	
3960779	NOF Corporation	17/04/2020	3960779	20794337.4	
3960805	MITSUBISHI GAS CHEMICAL COMPANY, INC.	21/04/2020	3960805	20794339.0	
3961332	Koh Young Technology Inc.	03/11/2017	3961332	21196822.7	
3961541	eBay, Inc.	29/04/2021	3961541	21171201.3	
3961653	Federal State Unitary Enterprise "Mining And Chemical Combine" FSUE"MCC"	16/10/2019	3961653	19921423.0	
3961794	Prime Planet Energy & Solutions, Inc.	11/08/2021	3961794	21190797.7	
3962216	GUANGDONG OPPO MOBILE TELECOMMUNICATIONS CORP., LTD.	29/05/2019	3962216	19930304.1	
3962233	CT-Coating AG	25/08/2020	3962233	20192583.1	German
3962543	Institut National de la Santé et de la Recherche Médicale (INSERM) Spartha Medical Université de Strasbourg	30/04/2020	3962543	20721632.6	
3962699	Hilti Aktiengesellschaft	17/12/2019	3962699	19818139.8	German
3962700	FM France SAS Université de Technologie de Compiègne Centre National de la Recherche Scientifique	30/04/2020	3962700	20721624.3	French
3963136	Pandrol (Vortok) Limited	28/04/2020	3963136	20723329.7	
3963174	Saudi Arabian Oil Company	28/04/2020	3963174	20729878.7	
3963505	Audi AG	30/04/2020	3963505	20725102.6	German
3963841	Huawei Technologies Co., Ltd.	27/05/2019	3963841	19728356.7	
3964213	The Children's Hospital Of Philadelphia	07/09/2016	3964213	21201653.9	
3964394	Ford Global Technologies, LLC	26/08/2021	3964394	21193266.0	German
3964645	Jing Si Pureland Co., Ltd.	20/08/2021	3964645	21192384.2	
3964698	Volkswagen Aktiengesellschaft	26/07/2021	3964698	21187730.3	German

(10/04/2024)

Journal of the Intellectual Property Office of Ireland

(No. 2513)

3964833	Piovan S.P.A.	30/08/2021	3964833	21193876.6	
3965104	Samsung Electronics Co., Ltd.	07/09/2021	3965104	21195402.9	
3965967	Soil Remediation G.P.T. Sagl	06/05/2020	3965967	20731204.2	
3966119	Westad, Kate	07/05/2020	3966119	20801612.1	
3966376	Nike Innovate C.V.	01/05/2020	3966376	20727768.2	
3966490	REGAS S.P.A.	30/04/2020	3966490	20727842.5	
3966497	Stellantis Auto SAS	16/04/2020	3966497	20728098.3	French
3966547	Micro Motion Inc.	09/05/2019	3966547	19725596.1	
3966681	Microsoft Technology Licensing, LLC	06/04/2020	3966681	20723640.7	
3966945	Fraunhofer-Gesellschaft zur Förderung der angewandten Forschung e.V.	07/05/2020	3966945	20724822.0	German
3967011	Microsoft Technology Licensing, LLC	28/04/2020	3967011	20727026.5	
3967129	Monchiero & C. s.n.c.	08/09/2021	3967129	21195446.6	
3967716	Borealis AG	11/09/2020	3967716	20195637.2	
3967991	Ecolab USA, Inc.	09/09/2020	3967991	20195337.9	
3968419	Maxell, Ltd.	05/06/2020	3968419	20823605.9	
3968729	NTT DOCOMO, INC.	10/05/2019	3968729	19928807.7	
3969498	Evonik Operations GmbH	16/05/2019	3969498	19928832.5	
3969733	Eaton Intelligent Power Limited	15/05/2020	3969733	20727152.9	
3969763	Boston Dynamics, Inc.	08/05/2020	3969763	20728622.0	
3971390	RTX Corporation	11/12/2019	3971390	21207525.3	
3971463	Huawei Technologies Co., Ltd.	15/07/2020	3971463	20839909.7	
3971502	Samsung Electronics Co., Ltd. Chung Ang University Industry Academic Cooperation Foundation	17/09/2021	3971502	21197434.0	
3971612	MITSUBISHI ELECTRIC CORPORATION	14/05/2019	3971612	19928899.4	
3971786	DeepMind Technologies Limited	22/05/2018	3971786	21207203.7	
3971996	Marvell Asia Pte, Ltd.	02/09/2021	3971996	21194533.2	
3972070	GE Grid Solutions LLC	31/08/2021	3972070	21194029.1	
3972145	Huawei Technologies Co., Ltd.	18/04/2018	3972145	21186859.1	
3972297	H.M. Electronics, Inc.	20/09/2021	3972297	21197639.4	
3973175	Grabner Instruments Messtechnik GmbH	22/04/2020	3973175	20726239.5	German
3973935	Ontex BV Ontex Group NV	22/01/2021	3973935	21152906.0	
3974258	MAZDA MOTOR CORPORATION	10/09/2021	3974258	21195973.9	

(10/04/2024)

Journal of the Intellectual Property Office of Ireland

(No. 2513)

3974586	Sumitomo Heavy Industries, Ltd.	07/03/2018	3974586	21206892.8	
3974642	Yamaha Hatsudoki Kabushiki Kaisha	26/08/2021	3974642	21193222.3	
3974798	NIPPON TELEGRAPH AND TELEPHONE CORPORATION	21/05/2019	3974798	19929309.3	
3975044	Rakuten Group, Inc.	25/06/2021	3975044	21181726.7	
3975279	Samsung Display Co., Ltd.	15/10/2018	3975279	21206643.5	
3975340	Arcadyan Technology Corporation	22/09/2021	3975340	21198340.8	
3975464	Telefonaktiebolaget LM Ericsson (publ)	20/09/2010	3975464	21206937.1	
3976467	Stellar Advanced Concepts Ltd.	28/05/2020	3976467	20731176.2	
3976479	JT International SA	26/05/2020	3976479	20727654.4	
3976900	Politecnico di Milano	27/05/2020	3976900	20742893.9	
3977253	Microsoft Technology Licensing, LLC	04/05/2020	3977253	20730156.5	
3977996	The Children's Hospital Of Philadelphia	07/09/2016	3977996	21201628.1	
3978007	Hanyi Biotechnology (Beijing) Co., Ltd.	14/05/2020	3978007	20815527.5	
3978671	Ricoh Company, Ltd.	29/09/2021	3978671	21199677.2	
3980230	Fiskars Brands, Inc.	18/05/2020	3980230	20727726.0	
3981064	EGGTRONIC ENGINEERING S.P.A.	25/05/2020	3981064	20727862.3	
3981300	Handigood ApS	04/10/2021	3981300	21200723.1	
3981718	Deutsche Post AG	22/09/2021	3981718	21198278.0	German
3981918	Joseph Vögele AG	08/10/2020	3981918	20200791.0	German
3982342	GLORY LTD.	07/10/2021	3982342	21201477.3	
3982511	ABB Schweiz AG	12/10/2020	3982511	20201327.2	
3982853	AESCULAP AG	15/06/2020	3982853	20733723.9	German
3983091	Tyco Fire Products LP	12/06/2020	3983091	20742924.2	
3983331	Technoplants S.R.L.	10/06/2020	3983331	20735241.0	
3983468	Sika Technology AG	12/06/2020	3983468	20731138.2	
3983827	PGS Geophysical AS	11/06/2020	3983827	20732579.6	
3983835	Nike Innovate C.V.	23/07/2020	3983835	20753646.7	
3984213	Microsoft Technology Licensing, LLC	28/04/2020	3984213	20725059.8	
3984285	TELEFONAKTIEBOLAGET LM ERICSSON (PUBL)	17/06/2019	3984285	19732577.2	
3984463	Siemens Healthineers AG	31/03/2021	3984463	21166392.7	German
3984862	Stellantis Europe S.p.A.	15/10/2020	3984862	20201990.7	
3985465	ABB Schweiz AG	14/10/2020	3985465	20201857.8	
3985472	Nikki Co., Ltd.	04/10/2021	3985472	21200660.5	
3985720	STMicroelectronics S.r.l.	01/10/2021	3985720	21200601.9	

*(10/04/2024)**Journal of the Intellectual Property Office of Ireland**(No. 2513)*

3986864	GH Research Ireland Limited	19/06/2020	3986864	20737093.3	
3987340	Lumus Ltd.	23/06/2020	3987340	20833146.2	
3987549	Siempelkamp NIS Ingenieurgesellschaft mbH	06/07/2021	3987549	21742095.9	German
3988285	The Boeing Company	20/10/2021	3988285	21203684.2	
3988444	Yamaha Hatsudoki Kabushiki Kaisha	13/10/2021	3988444	21202450.9	
3988796	PIUSI S.p.A.	14/10/2021	3988796	21202608.2	
3988916	Shilla Industrial Co., Ltd.	22/09/2020	3988916	20944837.2	
3989523	Apple Inc.	21/10/2021	3989523	21203932.5	
3989792	Samsung Electronics Co., Ltd.	08/09/2020	3989792	20862284.5	
3990819	Linamar Corporation	29/06/2020	3990819	20754127.7	
3991583	Shenzhen Eigate Technology Co., Ltd.	16/04/2021	3991583	21168742.1	
3991610	Bestway Inflatables & Material Corp.	15/10/2021	3991610	21203000.1	
3992029	P.H.M. Blom Holding B.V. Helmling Holding B.V.	28/10/2020	3992029	20204442.6	German
3992133	KONE Corporation	28/10/2020	3992133	20204336.0	
3992417	Globe (Jiangsu) Co., Ltd.	26/10/2021	3992417	21204883.9	
3992565	B/E Aerospace, Inc.	28/10/2020	3992565	20461576.9	
3992700	TOPPAN INC.	18/06/2020	3992700	20831575.4	
3992771	Samsung Electronics Co., Ltd.	02/08/2021	3992771	21189113.0	
3992942	Aptiv Technologies Limited	02/11/2020	3992942	20205090.2	
3993514	LG Electronics Inc.	14/08/2020	3993514	20855192.9	
3994238	The Lubrizol Corporation	01/07/2020	3994238	20745390.3	
3994409	IFP Energies nouvelles	25/06/2020	3994409	20734734.5	French
3995648	Cosnet	05/11/2021	3995648	21206635.1	French
3995745	P.O.S.A. - S.p.A.	28/10/2021	3995745	21205170.0	
3996116	Université Paris-Est Créteil Val de Marne Centre national de la recherche scientifique	04/11/2021	3996116	21206574.2	French
3996211	P-Two Industries Inc.	13/08/2021	3996211	21191245.6	
3997265	Omya International AG	09/07/2020	3997265	20739355.4	
3997337	Daniel, Erwin	01/07/2020	3997337	20736625.3	German
3998208	Lilium eAircraft GmbH	19/02/2021	3998208	21158226.7	
3998414	Eltorque AS	14/07/2011	3998414	21184633.2	
3998914	Luigi Lavazza S.p.A.	16/07/2020	3998914	20740734.7	
3999387	Robert Bosch GmbH	13/07/2020	3999387	20739987.4	German

(10/04/2024)

Journal of the Intellectual Property Office of Ireland

(No. 2513)

3999983	Microsoft Technology Licensing, LLC	17/05/2020	3999983	20731662.1	
4000383	Monrovia Nursery Company	09/12/2020	4000383	20212751.0	
4000871	General Electric Company	21/10/2021	4000871	21203921.8	
4001436	Clinical Genomics Pty. Ltd.	10/05/2013	4001436	21180695.5	
	Commonwealth Scientific & Industrial Research Organisation (C.S.I.R.O.)				
4001506	Tarkett Sports Canada Inc.	13/11/2020	4001506	20207347.4	German
4001799	Thermokey S.p.A.	18/11/2021	4001799	21209132.6	
4002108	Honor Device Co., Ltd.	17/09/2020	4002108	20864530.9	
4002317	Carrier Corporation	18/11/2020	4002317	20383005.4	
4002348	Pocketpiano, S.L.	05/12/2020	4002348	20898469.0	
4002574	LG ENERGY SOLUTION, LTD.	14/10/2020	4002574	20886274.8	
4002705	AVAGO TECHNOLOGIES INTERNATIONAL SALES PTE. LIMITED	11/10/2021	4002705	21201828.7	
4003472	Hamilton Medical AG	29/07/2020	4003472	20749855.1	German
4003533	Nymox Corporation	30/07/2020	4003533	20757443.5	
4003616	Alfred Kärcher SE & Co. KG	31/07/2019	4003616	19749691.2	German
4003817	Stellantis Auto SAS	16/07/2020	4003817	20753984.2	French
4003838	Safran Seats GB Limited	23/07/2020	4003838	20751222.9	
4004240	F. Hoffmann-La Roche AG	24/07/2020	4004240	20746610.3	
4004371	Altop Patents III B.V.	25/07/2019	4004371	19749278.8	
4004408	Vitesco Technologies Germany GmbH	22/07/2020	4004408	20750190.9	German
4004784	Google LLC	30/09/2020	4004784	20793512.3	
4005741	Fami S.R.L.	09/04/2021	4005741	22152187.5	
4006211	Daido Metal Company Ltd.	30/06/2020	4006211	20846008.9	
4006343	LG Electronics Inc.	15/09/2021	4006343	21196855.7	
4006855	Verisure Sàrl	23/11/2016	4006855	22151730.3	
4007677	Bystronic Laser AG	14/12/2020	4007677	20820451.1	
4008575	Carrier Corporation	24/11/2021	4008575	21210195.0	
4008627	AIRBUS HELICOPTERS DEUTSCHLAND GmbH AIRBUS HELICOPTERS	02/12/2020	4008627	20400023.6	
4008928	Jing-Jin Electric Technologies Co., Ltd.	29/10/2019	4008928	19944511.5	
4009130	Apple Inc.	30/11/2017	4009130	22152362.4	
4009210	NIPPON TELEGRAPH AND TELEPHONE CORPORATION	03/09/2019	4009210	19944145.2	

(10/04/2024)

Journal of the Intellectual Property Office of Ireland

(No. 2513)

4010648	Williams, Herbert L.	07/08/2020	4010648	20850076.9	
4011338	Salts Healthcare Limited	21/09/2018	4011338	22154106.3	
4011627	Toshiba TEC Kabushiki Kaisha	02/08/2021	4011627	21188985.2	
4011661	Guangdong Giwee Technology Co., Ltd.	07/12/2021	4011661	21212924.1	
4011698	Hyva Holding BV	09/12/2020	4011698	20212639.7	
4011759	Amsafe Bridport Limited	19/10/2021	4011759	21203524.0	
4011761	Airbus Operations Limited Airbus Operations SAS	08/10/2021	4011761	21201790.9	
4011762	Airbus Operations Limited AIRBUS OPERATIONS (S.A.S.)	08/10/2021	4011762	21201792.5	
4011963	Mitsui Chemicals, Inc.	18/07/2017	4011963	22155178.1	
4012086	Taiwan Textile Research Institute	08/12/2021	4012086	21213194.0	
4012093	LG Electronics Inc.	13/12/2021	4012093	21213976.0	
4012269	Whirlpool Corporation	29/11/2021	4012269	21211180.1	
4012382	KABUSHIKI KAISHA KOBE SEIKO SHO (KOBE STEEL, LTD.)	01/09/2020	4012382	20863388.3	
4012813	Enovix Corporation	09/12/2021	4012813	21213514.9	
4014404	Telefonaktiebolaget LM Ericsson (publ)	11/08/2020	4014404	20757692.7	
4015024	Chen, Tien-Sheng	08/12/2021	4015024	21213107.2	
4015321	The Boeing Company	01/09/2021	4015321	21194231.3	
4015993	Aurora Flight Sciences Corporation, a subsidiary of The Boeing Company	13/12/2021	4015993	21214123.8	
4016183	Daikin Industries, Ltd.	22/05/2020	4016183	20855403.0	
4016559	Fujian Golden Dragon Rare-Earth Co., Ltd.	07/07/2020	4016559	20889698.5	
4016614	STMicroelectronics S.r.l.	15/12/2021	4016614	21214666.6	
4016657	LG Display Co., Ltd.	14/12/2021	4016657	21214434.9	
4017105	Huawei Technologies Co., Ltd.	30/07/2020	4017105	20946714.1	
4017362	City, University of London	24/08/2020	4017362	20756739.7	
4017781	thyssenkrupp Presta AG thyssenkrupp AG	11/08/2020	4017781	20754726.6	German
4018174	ExxonMobil Technology and Engineering Company	13/08/2020	4018174	20762035.2	
4018304	Huawei Technologies Co., Ltd.	19/08/2020	4018304	20758208.1	
4018629	Citrix Systems, Inc.	30/07/2020	4018629	20757131.6	
4019258	Seiko Epson Corporation	21/12/2021	4019258	21216538.5	

*(10/04/2024)**Journal of the Intellectual Property Office of Ireland**(No. 2513)*

4019306	Inalfa Roof Systems Group B.V.	22/12/2020	4019306	20216345.7	
4019531	Caregen Co., Ltd.	10/10/2019	4019531	19942044.9	
4020846	NIPPON TELEGRAPH AND TELEPHONE CORPORATION	23/08/2019	4020846	19943236.0	
4021703	S.A.S 3DCeram-Sinto	25/08/2020	4021703	20761808.3	German
4021729	ASMPT SMT Singapore Pte. Ltd	12/08/2020	4021729	20768698.1	
4022185	Marine Power Systems Limited	28/08/2020	4022185	20765343.7	
4023188	Guangzhou OO Medical Scientific Limited	23/09/2020	4023188	20869173.3	
4023618	AGC INC.	19/08/2020	4023618	20857093.7	
4023949	Trane International Inc.	29/12/2021	4023949	21218112.7	
4024153	Sony Group Corporation	17/07/2020	4024153	20856189.4	
4025862	McLeod, Graham Richard	02/09/2020	4025862	20771345.4	
4029784	Dassault Aviation	12/01/2022	4029784	22151182.7	French
4029982	AL.PRE.TEC. Srl Allergy Prevention Technology Italia	14/01/2021	4029982	21020016.8	
4030337	Leuze electronic GmbH + Co. KG	18/01/2021	4030337	21151994.7	German
4031585	Trotta, Francesco Rubin Pedrazzo, Alberto	16/09/2020	4031585	20786466.1	
4032985	Université Paul Sabatier Toulouse III Centre National de la Recherche Scientifique	31/10/2014	4032985	21215711.9	French
4033145	Self Electronics Co., Ltd. SELF ELECTRONICS Germany GmbH Lin, Wanjiang	20/01/2022	4033145	22152414.3	
4033368	Samsung Electronics Co., Ltd.	22/11/2021	4033368	21209514.5	
4034181	Hollister Incorporated	22/09/2020	4034181	20786397.8	
4034207	Amiko S.r.l.	28/09/2020	4034207	20785605.5	
4034714	Topcon Positioning Systems, Inc.	24/08/2020	4034714	20768434.1	
4034857	Dow Global Technologies LLC	26/08/2020	4034857	20771384.3	
4034889	Advanced Micro Devices, Inc.	25/09/2020	4034889	20870066.6	
4035643	Aukey Technology Co.Ltd	12/05/2021	4035643	21173639.2	
4035994	AIRBUS OPERATIONS (S.A.S.)	27/01/2022	4035994	22153577.6	French
4036069	Zetadi S.r.l.	28/01/2022	4036069	22153845.7	
4036418	Valeo Japan Co., Ltd	27/01/2022	4036418	22153568.5	
4036967	Rohm Co., Ltd.	27/06/2012	4036967	22162233.5	

(10/04/2024)

Journal of the Intellectual Property Office of Ireland

(No. 2513)

4037424	Samsung Electronics Co., Ltd.	10/08/2018	4037424	22162883.7	
4037649	Pierre Fabre Dermo-Cosmétique	29/09/2020	4037649	20792472.1	French
4037970	Safran Seats USA LLC	30/09/2019	4037970	19790955.9	
4038842	Signify Holding B.V.	28/09/2020	4038842	20775667.7	
4039511	Aurilis Group Italia S.R.L.	15/11/2021	4039511	21000327.3	
4039519	KOITO MANUFACTURING CO., LTD.	23/09/2020	4039519	20871876.7	
4039529	Huawei Digital Power Technologies Co., Ltd.	28/01/2022	4039529	22154075.0	
4040629	Nanjing Chervon Industry Co., Ltd.	24/01/2022	4040629	22152842.5	
4041194	EVER Valinject GmbH	15/04/2021	4041194	21718127.0	
4041515	EREMA Engineering Recycling Maschinen und Anlagen Gesellschaft m.b.H.	09/10/2020	4041515	20793249.2	German
4041962	Wov, Besloten Vennootschap met Beperkte Aansprakelijkheid	07/10/2020	4041962	20792489.5	
4042994	Ontex BV Ontex Group NV	19/03/2020	4042994	22164487.5	
4043082	Hydac Filtertechnik GmbH	31/01/2022	4043082	22154270.7	German
4043114	JFE Steel Corporation	11/11/2020	4043114	20894228.4	
4043596	NIPPON STEEL CORPORATION	09/10/2020	4043596	20875457.2	
4044749	Huawei Technologies Co., Ltd.	29/10/2020	4044749	20883112.3	
4045542	ROQUETTE FRERES	16/10/2020	4045542	20803220.1	French
4046520	ASICS Corporation	15/02/2022	4046520	22156864.5	
4046811	Seiko Epson Corporation	21/02/2022	4046811	22157675.4	
4047143	Kaiser Aktiengesellschaft	04/01/2022	4047143	22150097.8	German
4047183	RTX Corporation	17/01/2022	4047183	22151773.3	
4047455	Apple Inc.	14/08/2017	4047455	22167427.8	
4047466	Research & Business Foundation Sungkyunkwan University Samsung Electronics Co., Ltd.	10/11/2021	4047466	21207632.7	
4047851	Huawei Technologies Co., Ltd.	28/10/2020	4047851	20885695.5	
4048544	Tecnomatic S.p.A. Eldor Corporation S.p.A.	23/10/2020	4048544	20792916.7	
4049133	Motorola Solutions, Inc.	19/10/2020	4049133	20808229.7	
4050023	CJ CHEILJEDANG CORPORATION	31/03/2021	4050023	21870497.1	
4051600	AptarGroup, Inc.	28/01/2020	4051600	20916269.2	

*(10/04/2024)**Journal of the Intellectual Property Office of Ireland**(No. 2513)*

4051755	Chevron Oronite Company LLC Chevron U.S.A. Inc.	30/10/2020	4051755	20812478.4	
4051901	ORR, Declan	31/10/2019	4051901	19808695.1	
4052100	PHOENIX CONTACT GMBH & CO. KG	27/10/2020	4052100	20793417.5	German
4052760	FUJIFILM Corporation	30/10/2020	4052760	20883361.6	
4053369	Legrand France Legrand SNC	23/02/2022	4053369	22158269.5	French
4054103	LG Electronics Inc.	20/11/2020	4054103	20889076.4	
4054233	Honor Device Co., Ltd.	16/11/2020	4054233	20900588.3	
4054447	Aesculap AG	06/11/2020	4054447	20803530.3	German
4054511	Bristol-Myers Squibb Company	02/11/2020	4054511	20819921.6	
4054513	Koninklijke Philips N.V.	28/10/2020	4054513	20793723.6	
4054845	AGP América S.A.	05/11/2020	4054845	20823924.4	
4054866	Continental Reifen Deutschland GmbH	12/10/2020	4054866	20792336.8	German
4054971	KHS GmbH	04/11/2020	4054971	20801256.7	German
4055526	PRIMO1D	03/11/2020	4055526	20817453.2	French
4056693	CJ CHEILJEDANG CORPORATION	09/04/2021	4056693	21870520.0	
4057597	Google LLC	27/09/2017	4057597	22167982.2	
4058148	Amgen Research (Munich) GmbH Amgen Inc.	08/05/2020	4058148	20729951.2	
4058692	VOLVO TRUCK CORPORATION	13/11/2019	4058692	19805609.5	
4059800	B/E Aerospace, Inc.	15/03/2022	4059800	22162102.2	
4060044	CJ Cheiljedang Corporation	19/04/2021	4060044	21844951.0	
4060640	NISSAN MOTOR Co., Ltd. Renault s.a.s	12/11/2019	4060640	19952812.6	
4060691	TOYOTA JIDOSHA KABUSHIKI KAISHA	25/01/2022	4060691	22153220.3	
4061454	Vectura Delivery Devices Limited	17/11/2020	4061454	20808109.1	
4062052	Miller, Bernhard	20/11/2020	4062052	20817227.0	German
4062201	INOVA Ltd.	23/11/2020	4062201	20824868.2	
4062251	Brach, Harald	19/11/2020	4062251	20810943.9	German
4063186	Goodrich Lighting Systems GmbH & Co. KG	25/03/2021	4063186	21164890.2	
4064292	Ethicon LLC	11/09/2018	4064292	22173569.9	
4064525	Guangdong Welling Motor Manufacturing Co., Ltd.	17/12/2020	4064525	20941289.9	

*(10/04/2024)**Journal of the Intellectual Property Office of Ireland**(No. 2513)*

4064635	Uniberg GmbH Deutsche Telekom AG	26/03/2021	4064635	21165324.1	
4065391	Sicam S.r.l.	26/10/2020	4065391	20807874.1	
4066613	B. Strautmann & Söhne GmbH u. Co. KG	25/03/2022	4066613	22164371.1	German
4066614	B. Strautmann & Söhne GmbH u. Co. KG	25/03/2022	4066614	22164361.2	German
4067167	Lisa Dräxlmaier GmbH	14/03/2022	4067167	22161880.4	
4067172	Stellantis Auto SAS	31/03/2022	4067172	22166035.0	
4067249	Henry, Raphael	30/03/2021	4067249	21165891.9	French
4067738	Mitsubishi Heavy Industries, Ltd.	26/11/2020	4067738	20891564.5	
4067927	Kings College London Université Paris XIII Paris-Nord Villetaneuse Université Paris Cité Siemens Healthineers AG Centre National de la Recherche Scientifique Institut National de la Santé Et de la Recherche Médicale	01/04/2021	4067927	21166641.7	
4068514	Honor Device Co., Ltd.	26/03/2021	4068514	21787596.2	
4068929	OVH	31/08/2021	4068929	21306186.4	
4068930	OVH	31/08/2021	4068930	21306187.2	
4069581	BA Technologies Limited	04/12/2020	4069581	20825214.8	
4069882	Aixtron SE	01/12/2020	4069882	20824896.3	German
4069945	SAFRAN AIRCRAFT ENGINES Safran Electrical & Power	24/11/2020	4069945	20820506.2	French
4070049	Vestjyllands Andel A.m.b.a.	01/12/2020	4070049	20812108.7	
4070086	SAFRAN Association pour la Recherche et le Développement des Méthodes et Processus Industriels	26/11/2020	4070086	20824307.1	French
4071463	BOE Technology Group Co., Ltd. Beijing Boe Health Technology Co., Ltd.	13/05/2021	4071463	21812605.0	

(10/04/2024)

Journal of the Intellectual Property Office of Ireland

(No. 2513)

4072217	GUANGDONG OPPO MOBILE TELECOMMUNICATIONS CORP., LTD.	19/01/2020	4072217	20914443.5	
4072639	Koninklijke Philips N.V.	01/12/2020	4072639	20819660.0	
4072790	C. & E. Fein GmbH	08/12/2020	4072790	20821181.3	German
4072839	Theunisse, Adrianus Martinus Gerardus	07/12/2020	4072839	20824701.5	
4073412	Freudenberg Oil & Gas, LLC	28/01/2021	4073412	21706139.9	
4073453	Paralloy Limited	23/11/2020	4073453	20815908.7	
4073852	Northrop Grumman Systems Corporation	05/10/2020	4073852	20804365.3	
4074094	Telit Cinterion Deutschland GmbH	08/12/2020	4074094	20819751.7	
4074394	China Petroleum & Chemical Corporation Sinopec Dalian Research Institute of Petroleum and Petrochemicals Co., Ltd.	10/12/2020	4074394	20900619.6	
4074890	Hydrofib	12/04/2022	4074890	22168042.4	French
4075200	Toshiba TEC Kabushiki Kaisha	16/03/2022	4075200	22162565.0	
4075656	Apple Inc.	13/04/2011	4075656	22167130.8	
4075739	ZTE Corporation	10/12/2020	4075739	20899705.6	
4076635	Medtronic, Inc.	18/12/2020	4076635	20842472.1	
4076924	Pirelli Tyre S.p.A.	18/12/2020	4076924	20853570.8	
4077107	PRINOTH S.p.A.	18/12/2020	4077107	20828143.6	
4077227	Microsoft Technology Licensing, LLC	09/12/2020	4077227	20828064.4	
4077244	BASF SE	15/12/2020	4077244	20821261.3	
4077997	Oetiker NY, Inc.	19/12/2019	4077997	19836918.3	
4078023	Stein, Gregory Potter, Brant VALEO VISION	15/12/2020	4078023	20853545.0	
4078689	Singulus Technologies AG	04/12/2020	4078689	20820133.5	
4078738	PHOENIX CONTACT GmbH & Co. KG	16/12/2020	4078738	20833790.7	German
4078783	VALEO EQUIPEMENTS ELECTRIQUES MOTEUR	15/12/2020	4078783	20821293.6	French
4079540	BRIDGESTONE CORPORATION	08/12/2020	4079540	20902686.3	
4080698	Nokia Solutions and Networks Oy	22/04/2021	4080698	21305532.0	
4080703	Hamilton Sundstrand Corporation	05/04/2022	4080703	22166812.2	
4081404	Meccanotecnica S.p.A.	24/12/2020	4081404	20841721.2	

(10/04/2024)

Journal of the Intellectual Property Office of Ireland

(No. 2513)

4082479	Edwards Lifesciences Corporation	18/01/2019	4082479	22153087.6	
4082751	Eugen Seitz AG	29/04/2021	4082751	21171205.4	German
4082864	SpeedInnov	22/04/2022	4082864	22169534.9	French
4083339	OLI - SISTEMAS SANITARIOS, S.A.	29/04/2022	4083339	22170933.0	
4084703	Prytime Medical Devices, Inc.	17/03/2022	4084703	22743436.2	
4085169	Neri, Gabriele	28/12/2020	4085169	20851298.8	
4085245	Qlife ApS	21/12/2020	4085245	20839018.7	
4085253	Regeneron Pharmaceuticals, Inc.	20/01/2021	4085253	21708786.5	
4085603	Samsung Electronics Co., Ltd.	10/05/2021	4085603	21818197.2	
4085984	ELECTROLUX APPLIANCES AKTIEBOLAG	07/05/2021	4085984	21172642.7	
4086174	Telair International GmbH	05/05/2022	4086174	22171922.2	German
4086372	Commissariat à l'énergie atomique et aux énergies alternatives	27/04/2022	4086372	22170338.2	French
4086466	Illinois Tool Works Inc.	08/04/2022	4086466	22315081.4	French
4087828	SAINT-GOBAIN ISOVER	05/01/2021	4087828	21705236.4	French
4087946	Astrazeneca AB	06/01/2021	4087946	21701045.3	
4087962	Trevira GmbH	06/01/2021	4087962	21700368.0	German
4087976	Versoflor Ltd	08/01/2021	4087976	21700395.3	
4088312	SOITEC	07/01/2021	4088312	21704847.9	French
4088856	Keystone Tower Systems, Inc.	11/07/2019	4088856	22182053.3	
4089188	NIPPON STEEL CORPORATION	21/12/2020	4089188	20911935.3	
4089233	Robel Bahnbaumaschinen GmbH	28/04/2022	4089233	22170457.0	German
4089307	Lincoln Industries, Inc.	13/05/2022	4089307	22173386.8	
4089757	Contemporary Amperex Technology Co., Limited	26/03/2021	4089757	21809893.7	
4089819	CALB Co., Ltd.	15/07/2021	4089819	21185708.1	
4090313	Amneal Complex Products Research LLC	16/12/2020	4090313	20841812.9	
4090655	BASF SE	05/01/2021	4090655	21700487.8	
4090702	Akzo Nobel Coatings International B.V.	15/01/2021	4090702	21701077.6	
4090768	DNAe Diagnostics Limited	15/01/2021	4090768	21701848.0	
4090869	GEMÜ Gebr. Müller Apparatebau GmbH & Co. Kommanditgesellschaft	01/12/2020	4090869	20817314.6	German
4091837	Sumitomo Rubber Industries, Ltd.	09/05/2022	4091837	22172298.6	
4092283	Carrier Corporation	19/05/2022	4092283	22174432.9	
4093149	ROSEMOUNT AEROSPACE INC.	29/04/2022	4093149	22171008.0	

*(10/04/2024)**Journal of the Intellectual Property Office of Ireland**(No. 2513)*

4093321	3Shape A/S	22/01/2021	4093321	21702607.9	
4093912	Brightplus Oy	21/01/2021	4093912	21702059.3	
4094331	First Light Fusion Limited	22/01/2021	4094331	21702079.1	
4095296	Staubli Faverges	25/05/2022	4095296	22175316.3	French
4095429	Cryolor Société Anonyme	04/04/2022	4095429	22166428.7	French
	L'Air Liquide, Société Anonyme pour l'Etude et l'Exploitation des Procédés Georges Claude				
4095674	Sonos Inc.	06/12/2019	4095674	22180226.7	
4095869	Thomas Magnete GmbH	30/03/2022	4095869	22165319.9	German
4096416	DSM IP Assets B.V.	28/01/2021	4096416	21703173.1	
4096565	Ferton Holding S.A.	28/01/2021	4096565	21702482.7	
4096570	Rampulla, Giuseppe	31/01/2021	4096570	21707013.5	
	Pighin, Luca				
4096935	COMPAGNIE GENERALE DES ETABLISSEMENTS MICHELIN	28/01/2021	4096935	21704032.8	
4097003	Latecoere	26/01/2021	4097003	21701327.5	French
4097072	Friedrich-Alexander-Universität	26/01/2021	4097072	21702008.0	German
	Erlangen-Nürnberg				
	OxFA GmbH				
4097326	TBK S.r.l.	21/01/2021	4097326	21709133.9	
4097453	Daylight Solutions Inc.	28/01/2021	4097453	21707522.5	
4098438	Teijin Limited	20/01/2021	4098438	21747062.4	
4098488	Lisa Dräxlmaier GmbH	20/05/2022	4098488	22174522.7	German
4098500	Siemens Mobility GmbH	10/05/2022	4098500	22172427.1	German
4099205	INTEL Corporation	09/03/2022	4099205	22161041.3	
4099402	Solarlab Aiko Europe GmbH	23/07/2021	4099402	21000196.2	
4099407	Solarlab Aiko Europe GmbH	23/07/2021	4099407	21000193.9	
4099408	Solarlab Aiko Europe GmbH	23/07/2021	4099408	21000194.7	
4100269	VOLKSWAGEN	26/01/2021	4100269	21702426.4	German
	AKTIENGESELLSCHAFT				
4100397	BASF SE	01/02/2021	4100397	21702987.5	
4100550	SMS Group GmbH	28/01/2021	4100550	21703626.8	German
4100682	BSH Hausgeräte GmbH	21/01/2021	4100682	21700956.2	
4100748	ORACLE INTERNATIONAL	15/01/2021	4100748	21705009.5	
	CORPORATION				
4100873	Robust Intelligence, Inc.	05/02/2021	4100873	21709248.5	

(10/04/2024)

Journal of the Intellectual Property Office of Ireland

(No. 2513)

4101067	Teknologian Tutkimuskeskus VTT OY	25/01/2021	4101067	21703969.2	
4101353	Fluid-O-Tech S.r.l.	07/06/2022	4101353	22177437.5	
4101554	NIPPON STEEL CORPORATION	05/02/2021	4101554	21750182.4	
4101591	Nanjing Chervon Industry Co., Ltd.	10/05/2022	4101591	22172419.8	
4101741	NIPPON STEEL CORPORATION	04/02/2021	4101741	21750817.5	
4102068	Ørsted Wind Power A/S	09/06/2021	4102068	21178627.2	
4102125	Funke Kunststoffe GmbH	08/06/2022	4102125	22177771.7	German
4102809	T-Mobile USA, Inc.	23/05/2022	4102809	22174915.3	
4103037	The University of Liverpool	12/02/2021	4103037	21706684.4	
4103443	Voith Patent GmbH	22/01/2021	4103443	21701754.0	German
4103625	BASF SE	12/02/2021	4103625	21703348.9	
	The Procter & Gamble Company				
4103946	Immundiagnostik AG	10/02/2021	4103946	21705147.3	
4104990	G.Tech S.R.L.	30/05/2022	4104990	22176124.0	
4105152	Tanzer Maschinenbau Srl	31/05/2022	4105152	22000144.0	German
4105502	Daikin Industries, Ltd.	26/02/2021	4105502	21781830.1	
4105827	Tata Consultancy Services Limited	11/10/2021	4105827	21201801.4	
4105860	Tetra Laval Holdings & Finance S.A.	27/04/2022	4105860	22170260.8	
4105906	Apollo Intelligent Connectivity (Beijing) Technology Co., Ltd.	30/03/2022	4105906	22165371.0	
4106360	GUANGDONG OPPO MOBILE TELECOMMUNICATIONS CORP., LTD.	03/04/2019	4106360	22187033.0	
4106676	Edwards Lifesciences Corporation	18/02/2021	4106676	21711130.1	
4106871	Università degli Studi del Piemonte Orientale "Amedeo Avogadro"	25/11/2020	4106871	20816317.0	
4107022	VOLVO TRUCK CORPORATION	17/02/2020	4107022	20706660.6	
4107046	Siemens Mobility Austria GmbH	21/04/2021	4107046	21725037.2	German
4107198	Covestro Deutschland AG	11/02/2021	4107198	21704281.1	German
4107408	BASF Polyurethanes GmbH	22/02/2021	4107408	21705577.1	
4107548	THALES	09/02/2021	4107548	21703464.4	French
4108138	Starflow GmbH	24/06/2021	4108138	21181369.6	German
4108433	PMA/TOOLS AG	21/06/2022	4108433	22000169.7	German
4108864	Minebea AccessSolutions France	24/06/2021	4108864	21315112.9	
4108994	Famar Muebles, S.L.	19/02/2021	4108994	21717946.4	
4110630	VOLVO TRUCK CORPORATION	18/02/2021	4110630	21706570.5	
4110650	Volvo Construction Equipment AB	26/02/2020	4110650	20710434.0	

(10/04/2024)

Journal of the Intellectual Property Office of Ireland

(No. 2513)

4110673	Siemens Mobility GmbH	13/04/2021	4110673	21721854.4	German
4111073	Schaeffler Technologies AG & Co. KG	29/01/2021	4111073	21705099.6	German
4111282	iRobot Corporation	02/02/2021	4111282	21708818.6	
4111337	ORACLE INTERNATIONAL CORPORATION	20/01/2021	4111337	21705351.1	
4111935	Whirlpool Corporation	27/06/2022	4111935	22181281.1	
4112092	Medela Holding AG	24/06/2021	4112092	21181505.5	
4112175	SD Biosensor Inc.	09/11/2021	4112175	21207162.5	
4112436	Nabtesco Corporation	28/06/2022	4112436	22181547.5	
4113138	CRRC Zhuzhou Electric Locomotive Research Institute Co., Ltd.	30/03/2021	4113138	21793367.0	
4113760	Nuferm	01/06/2022	4113760	22176866.6	
4114572	Voith Patent GmbH	19/01/2021	4114572	21701115.4	German
4114815	Firmenich SA	02/03/2021	4114815	21708028.2	
4115485	Hitachi Energy Ltd	17/04/2020	4115485	20720024.7	
4115965	BSH Hausgeräte GmbH	23/06/2022	4115965	22180675.5	German
4116058	SHPP Global Technologies B.V.	09/07/2021	4116058	21184715.7	
4116359	Borealis AG	07/07/2021	4116359	21184142.4	
4116546	PRATT & WHITNEY CANADA CORP.	05/07/2022	4116546	22183176.1	
4116581	Nidec SSB Wind Systems GmbH	09/07/2021	4116581	21184920.3	
4117257	Honor Device Co., Ltd.	13/01/2022	4117257	22731459.8	
4117460	Nonwovenn Ltd	18/11/2021	4117460	21810370.3	
4117938	Huf Baolong Electronics Bretten GmbH	23/12/2021	4117938	21844332.3	German
4119017	SharkNinja Operating LLC	02/06/2022	4119017	22177100.9	
4119989	Commissariat à l'énergie atomique et aux énergies alternatives	13/07/2022	4119989	22184628.0	French
4121707	SAMSTER AB	18/03/2021	4121707	21713927.8	
4122720	Sumitomo Rubber Industries, Ltd.	17/06/2022	4122720	22179548.7	
4122814	The Boeing Company	15/07/2022	4122814	22185158.7	
4123320	Siemens Aktiengesellschaft	23/07/2021	4123320	21187494.6	German
4124335	Bioiberica, S.A.U.	30/07/2021	4124335	21382717.3	
4124507	Impresa Edile Favaro Roberto	27/07/2022	4124507	22187172.6	
4125330	Würth Elektronik eiSos GmbH & Co. KG	31/01/2022	4125330	22702726.5	German
4125392	Lesaffre et Compagnie	16/03/2021	4125392	21711277.0	
4125659	Cilag GmbH International	28/03/2022	4125659	22714566.1	

*(10/04/2024)**Journal of the Intellectual Property Office of Ireland**(No. 2513)*

4125747	TEQCool AB (publ)	25/03/2021	4125747	21713427.9	
4126155	WILAmed GmbH	23/07/2020	4126155	20746162.5	German
4126692	Coradin SAS	25/03/2021	4126692	21732943.2	French
4126838	DSM IP Assets B.V.	22/03/2021	4126838	21712202.7	
4127257	Speira GmbH	26/03/2021	4127257	21713984.9	German
4127394	TotalEnergies OneTech	24/03/2020	4127394	20731545.8	
4127401	AspenTech Corporation	26/03/2021	4127401	21719498.4	
4127463	Innomotics GmbH	14/04/2021	4127463	21721860.1	German
4127569	Ideal Therm	30/03/2021	4127569	21720817.2	French
4127613	RISCHEWSKI, Marc	31/07/2020	4127613	20750648.6	German
4128279	Rolls-Royce SMR Limited	26/03/2021	4128279	21719541.1	
4128280	Framatome	24/03/2021	4128280	21713955.9	French
4128404	BASF SE	22/03/2021	4128404	21712543.4	
4128441	Phoenix Contact e-Mobility GmbH	25/03/2021	4128441	21716973.9	German
4129499	Derrick Corporation	16/10/2017	4129499	22185547.1	
4131659	Legrand France Legrand SNC	11/07/2022	4131659	22184068.9	French
4132830	Bayerische Motoren Werke Aktiengesellschaft	31/03/2021	4132830	21717366.5	German
4132861	Büsser, Manuel	07/04/2021	4132861	21718813.5	
4132989	Vito NV	06/04/2021	4132989	21715926.8	
4133258	Hochschule Düsseldorf	22/03/2021	4133258	21716275.9	German
4133343	Siemens Aktiengesellschaft	19/05/2021	4133343	21731050.7	German
4133511	Siemens Aktiengesellschaft	04/05/2021	4133511	21725429.1	German
4133909	Steinel GmbH	23/03/2021	4133909	21716077.9	German
4133975	SEB S.A.	01/07/2022	4133975	22182672.0	French
4134024	Covidien LP	09/08/2022	4134024	22189570.9	
4134177	Shinko Tecnos Co.,Ltd.	22/05/2020	4134177	20936228.4	
4134504	PLAKA GROUP FRANCE Société par actions simplifiée unipersonnelle	09/08/2022	4134504	22189457.9	French
4135531	Puratos	16/04/2021	4135531	21716955.6	
4136300	Kiekert Aktiengesellschaft	22/03/2021	4136300	21718000.9	German
4136581	Pepperl+Fuchs SE	09/06/2022	4136581	22754300.6	German
4136826	Siemens Aktiengesellschaft	03/05/2021	4136826	21725427.5	German
4136874	LG Electronics Inc.	20/10/2021	4136874	21883223.6	
4137052	CathVision ApS	20/08/2021	4137052	21192435.2	

(10/04/2024)

Journal of the Intellectual Property Office of Ireland

(No. 2513)

4137437	Schiller Automatisierungstechnik GmbH	11/11/2021	4137437	21207741.6	German
4138116	MITSUBISHI ELECTRIC CORPORATION	13/04/2020	4138116	20931548.0	
4138592	Philip Morris Products S.A.	23/04/2021	4138592	21722392.4	
4139502	Norsk Hydro ASA	24/04/2020	4139502	20725624.9	
4139948	Dublin City University	21/04/2021	4139948	21724574.5	
4140774	Continental Reifen Deutschland GmbH	23/08/2022	4140774	22191633.1	German
4140779	Toyo Tire Corporation	09/06/2022	4140779	22177996.0	
4140789	Huawei Digital Power Technologies Co., Ltd.	23/08/2022	4140789	22191619.0	
4140809	LCI Italy S.r.l.	22/08/2022	4140809	22191569.7	
4140840	ZF CV Systems Europe BV	31/08/2021	4140840	21194048.1	
4141232	Liebherr-Components Colmar SAS	10/08/2022	4141232	22189620.2	
4141280	C&U Company Limited.	16/09/2021	4141280	21899285.7	
4141429	Deutsches Elektronen-Synchrotron DESY	24/08/2021	4141429	21192887.4	German
4141646	Samsung Electronics Co., Ltd.	16/08/2022	4141646	22190514.4	
4141655	INTEL Corporation	08/07/2022	4141655	22183762.8	
4142068	Japan Aviation Electronics Industry, Limited	24/08/2022	4142068	22191839.4	
4142137	SAX Power GmbH	23/08/2021	4142137	21192613.4	German
4142986	J. Schmalz GmbH	25/03/2021	4142986	21716293.2	German
4143356	Novelis Koblenz GmbH	27/04/2021	4143356	21721637.3	
4143368	Norsk Hydro ASA	30/04/2020	4143368	20725638.9	
4144586	Tata Consultancy Services Limited	22/08/2022	4144586	22191427.8	
4145009	SKF MAGNETIC MECHATRONICS	03/09/2021	4145009	21194716.3	
4145140	Lisa Dräxlmaier GmbH	22/08/2022	4145140	22191362.7	German
4146414	SMS Group GmbH	25/03/2021	4146414	21716283.3	German
4146429	Bystronic Laser AG	15/10/2021	4146429	21794142.6	
4146438	Blueprint Holding B.V.	05/05/2021	4146438	21725842.5	
4146461	Alcon Inc.	06/05/2021	4146461	21725257.6	
4147318	RIOT INNOVATIONS OY	30/04/2021	4147318	21724348.4	
4147407	QUALCOMM INCORPORATED	30/04/2021	4147407	21727660.9	
4147423	Siemens Aktiengesellschaft	04/08/2021	4147423	21759261.7	German
4147912	Yazaki Corporation	14/09/2022	4147912	22195565.1	
4148110	TotalEnergies OneTech	13/09/2021	4148110	21306252.4	

(10/04/2024)

Journal of the Intellectual Property Office of Ireland

(No. 2513)

4148308	Wuhu Midea Smart Kitchen Appliance Manufacturing Co., Ltd.	25/01/2022	4148308	22719194.7	
4149255	Syngenta Crop Protection AG	12/05/2021	4149255	21726080.1	
4149329	Speranza, Vincenzo	11/05/2021	4149329	21730298.3	
4149861	Altachem N.V.	10/05/2021	4149861	21725139.6	
4150034	The Lubrizol Corporation University of Warwick	07/05/2021	4150034	21728763.0	
4150859	J&A Garrigues, S.L.P.	21/06/2021	4150859	21732930.9	
4150861	Telefonaktiebolaget LM Ericsson (publ)	22/07/2020	4150861	20744136.1	
4151457	Contemporary Amperex Technology Co., Limited	27/07/2021	4151457	21811229.0	
4152116	Motional AD LLC	19/07/2019	4152116	22206790.2	
4152613	Huawei Digital Power Technologies Co., Ltd.	31/03/2022	4152613	22166141.6	
4153003	Marlin Group ApS	19/05/2021	4153003	21728497.5	
4153434	École Nationale Supérieure de Techniques Avancées Bretagne Electricité de France	17/05/2021	4153434	21726883.8	French
4153473	Encomara Limited	21/05/2021	4153473	21729430.5	
4153490	Airbus Defence and Space SAS	19/05/2021	4153490	21727831.6	French
4153599	Boehringer Ingelheim International GmbH	18/05/2021	4153599	21726114.8	
4153831	Audirac, Lionel	20/05/2021	4153831	21728030.4	French
4154190	MITSUBISHI ELECTRIC CORPORATION	04/02/2022	4154190	22713084.6	
4154441	Sony Group Corporation	28/06/2021	4154441	21745420.6	
4154666	Telefonaktiebolaget LM Ericsson (publ)	17/05/2021	4154666	21727570.0	
4155516	Zhejiang Geely Holding Group Co., Ltd. Zhejiang Liankong Technologies Co., Ltd	14/07/2020	4155516	20945691.2	
4157711	BAE SYSTEMS plc	20/05/2021	4157711	21729602.9	
4158666	Koninklijke Philips N.V.	19/05/2021	4158666	21725783.1	
4158840	Fraunhofer-Gesellschaft zur Förderung der angewandten Forschung e.V. Universität Stuttgart	27/05/2021	4158840	21729491.7	German
4159602	DT Swiss AG	31/03/2022	4159602	22165968.3	German

*(10/04/2024)**Journal of the Intellectual Property Office of Ireland**(No. 2513)*

4159638	B. Braun Melsungen AG	28/09/2022	4159638	22198346.3	German
4159983	RENAULT s.a.s. NISSAN MOTOR CO., LTD.	28/05/2020	4159983	20937685.4	
4160076	NORDISCHER MASCHINENBAU RUD. BAADER GMBH + CO KG	01/10/2021	4160076	21200424.6	German
4160086	LG Display Co., Ltd.	20/12/2021	4160086	21215874.5	
4161327	Bravilor Bonamat BV	01/06/2021	4161327	21730690.1	
4161861	KHS GmbH	19/05/2021	4161861	21728485.0	German
4162380	Drfirst.com, Inc.	04/06/2021	4162380	21736936.2	
4162649	Telefonaktiebolaget LM Ericsson (publ)	05/06/2020	4162649	20732667.9	
4163198	SRAM, LLC	17/08/2022	4163198	22190671.2	
4163684	Commissariat à l'énergie atomique et aux énergies alternatives	14/09/2022	4163684	22195495.1	French
4164450	Fulterer AG & Co KG	05/05/2021	4164450	21725444.0	German
4164469	Surgease Innovations Limited	10/06/2021	4164469	21734913.3	
4164998	Deutsche Institute für Textil- und Faserforschung Denkendorf	10/08/2021	4164998	21763277.7	German
4165108	BASF SE	07/06/2021	4165108	21743057.8	
4165705	AUDI AG	25/10/2021	4165705	21801452.0	German
4166366	Witte Automotive GmbH	25/08/2022	4166366	22192150.5	German
4167213	Nippon Telegraph And Telephone Corporation	17/01/2018	4167213	22207157.3	
4167822	Origyn LLC	23/06/2021	4167822	21742270.8	
4169622	Exel Industries	17/04/2020	4169622	22213986.7	French
4169764	Contemporary Amperex Technology Co., Limited	31/08/2021	4169764	21844936.1	
4170095	Hamm AG	20/09/2022	4170095	22196446.3	German
4171582	Waterstone Pharmaceuticals (Wuhan) Co., Ltd.	13/09/2021	4171582	21847670.3	
4172228	Dow Silicones Corporation Dow Global Technologies LLC	24/06/2021	4172228	21742999.2	
4172547	VALEO SYSTEMES THERMIQUES	17/06/2021	4172547	21733970.4	French
4173238	Juniper Networks, Inc.	24/06/2021	4173238	21745532.8	
4173499	Schmidt Innovations GmbH	25/10/2022	4173499	22203591.7	German
4174331	Kwantex Research Inc.	21/01/2022	4174331	22152658.5	
4174800	Gogoro Inc.	02/11/2021	4174800	21205865.5	
4174801	Gogoro Inc.	02/11/2021	4174801	21205976.0	

*(10/04/2024)**Journal of the Intellectual Property Office of Ireland**(No. 2513)*

4175540	Med Storm Innovation AS	28/06/2021	4175540	21739592.0	
4175965	E-Therapeutics plc	28/01/2022	4175965	22704881.6	
4176025	Evonik Operations GmbH	01/07/2021	4176025	21734874.7	
4176036	Unilever Global IP Limited	17/06/2021	4176036	21733439.0	
4176037	Unilever Global IP Limited	22/06/2021	4176037	21733468.9	
4176131	Plasser & Theurer Export von Bahnbaumaschinen Gesellschaft m.b.H.	02/06/2021	4176131	21731088.7	German
4176163	NUOVO PIGNONE TECNOLOGIE - S.R.L.	30/06/2021	4176163	21739561.5	
4177185	Zöller-Kipper GmbH	02/11/2022	4177185	22205122.9	German
4179257	Borgiani, Marco	14/06/2021	4179257	21734928.1	
4179907	Mat Product & Technology, SL	15/06/2021	4179907	21740111.6	
4180608	Gretsch-Unitas GmbH Baubeschläge	03/11/2022	4180608	22205204.5	German
4180914	Samsung Electronics Co., Ltd.	23/12/2019	4180914	22210861.5	
4181252	VAF GmbH	10/11/2021	4181252	21207570.9	German
4184136	Universität Stuttgart	18/11/2021	4184136	21209086.4	
4184885	Pexip AS	15/11/2022	4184885	22207369.4	
4185770	Siemens Gamesa Renewable Energy A/S	10/09/2021	4185770	21777462.9	
4186775	Siemens Mobility GmbH	26/11/2021	4186775	21210630.6	German
4186834	Ricoh Company, Ltd.	17/11/2022	4186834	22207952.7	
4188868	Blupura S.r.l.	07/07/2021	4188868	21743585.8	
4191058	Windcomp GmbH	29/12/2017	4191058	23152372.1	German
4191103	Zhongshan Meitu Plastic Ind. Co., Ltd.	15/02/2022	4191103	22156903.1	
4194339	Rolls-Royce plc	09/11/2022	4194339	22206290.3	
4195367	Contemporary Amperex Technology Co., Limited	10/07/2020	4195367	23155046.8	
4196303	3D Systems, Inc.	16/08/2021	4196303	21840209.7	
4197045	AUDI AG	05/01/2022	4197045	22700709.3	German
4197136	Telefonaktiebolaget LM Ericsson (publ)	09/08/2021	4197136	21755984.8	
4197747	Volvo Car Corporation	15/12/2021	4197747	21214723.5	
4197867	ALSTOM Holdings	15/12/2022	4197867	22213690.5	French
4198557	Commissariat à l'énergie atomique et aux énergies alternatives	12/12/2022	4198557	22212822.5	French
4198614	Nichia Corporation	08/12/2022	4198614	22212116.2	
4198787	Google LLC	15/01/2021	4198787	23155610.1	
4199519	LG Electronics Inc.	16/10/2012	4199519	23156269.5	

(10/04/2024)

Journal of the Intellectual Property Office of Ireland

(No. 2513)

4199639	Telefonaktiebolaget LM Ericsson (publ)	07/05/2019	4199639	23154588.0	
4200184	Bombardier Transportation GmbH	05/08/2021	4200184	21755760.2	German
4201316	Samsung Electronics Co., Ltd.	29/07/2022	4201316	22187833.3	
4202181	A. u. K. Müller GmbH & Co. KG	21/12/2021	4202181	21216262.2	German
4203305	Erbe Elektromedizin GmbH	22/12/2021	4203305	21217016.1	German
4203797	Koninklijke Philips N.V.	20/08/2021	4203797	21765913.5	
4205306	Signify Holding B.V.	09/08/2021	4205306	21755967.3	
4205406	Airbus Defence and Space SAS	16/11/2022	4205406	22813688.3	French
4206621	Bizerba SE & Co. KG	31/12/2021	4206621	21218423.8	German
4207504	Japan Aviation Electronics Industry, Ltd.	15/11/2022	4207504	22207643.2	
4207947	Hodogaya Chemical Co., Ltd.	21/12/2018	4207947	23157767.7	
4209666	Shenzhen Boundless Sensor Technology Co., Ltd	19/04/2022	4209666	22168708.0	
4211184	Wacker Chemie AG	09/09/2020	4211184	20771274.6	German
4212778	Doosan Enerbility Co., Ltd.	05/01/2023	4212778	23150483.8	
4215417	Marelli Corporation	24/01/2022	4215417	22153023.1	
4215418	Marelli Corporation	24/01/2022	4215418	22153027.2	
4217538	Andritz AG	01/07/2021	4217538	21739107.7	German
4219312	AIRBUS OPERATIONS (S.A.S.)	16/01/2023	4219312	23151660.0	French
4220307	Canon Kabushiki Kaisha	14/06/2017	4220307	23165417.9	
4220871	Universität Stuttgart	27/01/2022	4220871	22153730.1	
4221995	LINET spol. s r.o.	20/09/2021	4221995	21806635.5	
4224042	Flühs Drehtechnik GmbH	08/02/2022	4224042	22155598.0	German
4225143	Koninklijke Philips N.V.	27/09/2021	4225143	21782557.9	
4225291	CymaBay Therapeutics, Inc.	29/01/2022	4225291	22704693.5	
4227037	Polyplastics Co., Ltd.	18/09/2020	4227037	23169127.0	
4228776	Nidecker S.A.	26/11/2021	4228776	21823795.6	French
4228821	Glatt Gesellschaft mit beschränkter Haftung	06/10/2021	4228821	21790400.2	German
4229171	The Automation Partnership (Cambridge) Ltd.	05/10/2021	4229171	21778165.7	
4229903	Telefonaktiebolaget LM Ericsson (publ)	14/10/2021	4229903	21795043.5	
4230297	Guangdong Huahui Intelligent Equipment Co., Ltd.	10/01/2023	4230297	23151001.7	
4230344	Uzin Utz Tools GmbH & Co. KG	14/11/2022	4230344	22207163.1	German
4247927	Unilever Global IP Limited	15/11/2021	4247927	21807121.5	

*(10/04/2024)**Journal of the Intellectual Property Office of Ireland**(No. 2513)*

4249949	SICK AG	25/03/2022	4249949	22164401.6	German
4249950	SICK AG	25/03/2022	4249950	22164402.4	German
4254001	SICK AG	01/04/2022	4254001	22166230.7	German
4258417	CALB Co., Ltd.	17/06/2022	4258417	22179514.9	
4262228	Commissariat à l'énergie atomique et aux énergies alternatives	04/04/2023	4262228	23166426.9	French
4265101	Nonas Oy	30/01/2023	4265101	23153915.6	
4265925	Bhavya Jumps GmbH	22/04/2022	4265925	22169552.1	
4268082	Microsoft Technology Licensing, LLC	21/03/2022	4268082	22714328.6	
4271461	Magenta Medical Ltd.	30/08/2022	4271461	22772586.8	
4271949	Oxford Instruments Nanotechnology Tools Limited	10/05/2023	4271949	23725399.2	
4279379	AIRBUS HELICOPTERS	08/03/2023	4279379	23160794.6	French
4313945	GH Research Ireland Limited	27/03/2023	4313945	23717046.9	
4314031	Tagworks Pharmaceuticals B.V.	15/02/2023	4314031	23707184.0	

Grants Published in EPO Bulletin No. 12/24, dated 20th March 2024

2219700	Biosensors International Group Ltd.	14/11/2008	2219700	08849221.0	
2375957	WEXIÖDISK AB	14/12/2009	2375957	09833724.9	
2386272	Hoya Corporation	05/01/2010	2386272	10729200.5	
2399883	RTX Corporation	28/06/2011	2399883	11171808.6	
2416081	Mitsubishi Electric Corporation	01/04/2009	2416081	09842650.5	
2427678	Dürr Systems AG	05/05/2010	2427678	10721671.5	German
2518191	Nikkiso Co., Ltd.	25/12/2009	2518191	09852558.7	
2521485	Dayton Technologies Limited	10/01/2011	2521485	11731723.0	
2530482	Kabushiki Kaisha Toshiba	30/05/2012	2530482	12169994.6	
2547205	IGlobe Biomedical Co., Ltd.	21/03/2011	2547205	11757135.6	
2556404	ALPAO	05/04/2011	2556404	11717309.6	French
2572363	Auckland UniServices Limited	19/05/2011	2572363	11783803.7	
2620520	Krones AG	05/11/2012	2620520	12191203.4	German
2625074	Northrop Grumman Systems Corporation	30/09/2011	2625074	11831365.9	
2629262	Omron Corporation	11/10/2011	2629262	11832509.1	
2629969	Pressco Technology, Inc.	19/10/2011	2629969	11835099.0	
2634410	Isuzu Motors, Ltd.	26/10/2011	2634410	11836325.8	
2638895	Seqirus UK Limited	03/12/2010	2638895	13155782.9	
2639287	RTX Corporation	14/01/2013	2639287	13151184.2	

*(10/04/2024)**Journal of the Intellectual Property Office of Ireland**(No. 2513)*

2642410	Apple Inc.	31/08/2007	2642410	13155688.8	
2663344	The Regents of the University of California	12/01/2012	2663344	12734713.6	
2663349	The Regents of the University of California	12/01/2012	2663349	12734441.4	
2670366	University of Pittsburgh - Of the Commonwealth System of Higher Education	01/02/2012	2670366	12742020.6	
2674613	SIEMENS GAMESA RENEWABLE ENERGY INNOVATION & TECHNOLOGY, S.L.	11/06/2013	2674613	13002988.7	
2714070	OPKO Biologics Ltd.	04/06/2012	2714070	12793107.9	
2715415	3M Innovative Properties Company	23/05/2012	2715415	12725221.1	
2723790	SES Foam, LLC	30/07/2012	2723790	12881531.3	
2730697	Andritz, Inc.	06/11/2013	2730697	13191752.8	
2736874	Covestro LLC	23/07/2012	2736874	12817561.9	
2744856	Akzo Nobel Coatings International B.V.	15/08/2012	2744856	12750581.6	
2751408	Prometheus Applied Technologies, LLC	01/09/2012	2751408	12829007.9	
2752176	BSN medical GmbH	08/01/2013	2752176	13150513.3	German
2776542	Chevron Oronite Company LLC	05/10/2012	2776542	12848271.8	
2791907	Université de Lorraine Centre Hospitalier Régional de Nancy	11/12/2012	2791907	12824690.7	French
2797683	General Electric Company	19/12/2012	2797683	12818722.6	
2798414	Rolex S.A.	26/12/2012	2798414	12813875.7	French
2819772	GLOBAL LIFE SCIENCES SOLUTIONS GERMANY GMBH	22/02/2013	2819772	13707336.7	
2821133	M. Technique Co., Ltd.	29/02/2012	2821133	12869750.5	
2832811	tesa SE	01/08/2014	2832811	14179533.6	German
2836228	Novartis AG	10/04/2013	2836228	13720275.0	
2849709	The Procter & Gamble Company	14/05/2013	2849709	13727433.8	
2849887	Do, Inhwan Privette, Robert, M. Knox, Michael, R. Murray, Scott, L.	01/05/2013	2849887	13790097.3	
2854632	Oxford University Innovation Limited	30/05/2013	2854632	13734140.0	
2881719	Atexon Oy	03/12/2013	2881719	13195408.3	

*(10/04/2024)**Journal of the Intellectual Property Office of Ireland**(No. 2513)*

2884426	OMRON CORPORATION	03/12/2014	2884426	14196055.9	
2885789	Siemens Energy Global GmbH & Co. KG	05/09/2013	2885789	13766914.9	German
2892935	Lubrizol Advanced Materials, Inc. Coloplast A/S	17/05/2013	2892935	13725530.3	
2910897	Hitachi Astemo, Ltd.	02/10/2013	2910897	13848068.6	
2912105	Benecke-Kaliko AG Covestro Deutschland AG	26/08/2013	2912105	13752642.2	German
2919658	Lightlab Imaging, Inc.	04/02/2013	2919658	13855462.1	
2923704	Asahi Group Holdings, Ltd.	15/11/2013	2923704	13854909.2	
2931279	Trevi Therapeutics, Inc.	13/12/2013	2931279	13863494.4	
2932323	Baker Hughes Holdings LLC	12/11/2013	2932323	13793054.1	
2937478	Kohler Mira Limited	22/04/2015	2937478	15164665.0	
2946458	Valeo Equipements Electriques Moteur	21/01/2014	2946458	14704839.1	French
2951754	Codexis, Inc.	29/01/2014	2951754	14746677.5	
2954105	AstenJohnson, Inc.	06/02/2014	2954105	14749590.7	
2958406	Harman Professional Denmark ApS	31/08/2012	2958406	15165715.2	
2959849	Zimmer Surgical, Inc.	04/06/2015	2959849	15170717.1	
2972558	Qualcomm Incorporated	27/02/2014	2972558	14711654.5	
2977640	Volkswagen Aktiengesellschaft	23/07/2015	2977640	15178082.2	German
2979857	Toppan Printing Co., Ltd.	20/03/2014	2979857	14773794.4	
2984838	QUALCOMM Incorporated	09/04/2014	2984838	14723953.7	
2986207	Koninklijke Philips N.V.	16/04/2014	2986207	14721986.9	
2986702	Esco Medical Technologies, UAB	05/07/2013	2986702	13762898.8	
2995716	SEB S.A.	07/09/2015	2995716	15184111.1	French
3003298	The University of British Columbia	04/06/2014	3003298	14806967.7	
3005482	Northrop Grumman Systems Corporation	22/05/2014	3005482	14809144.0	
3013303	Manrex Pty Ltd	23/06/2014	3013303	14818129.0	
3014658	Technische Universität Darmstadt	25/06/2014	3014658	14739705.3	German
3017425	Procemex Oy	07/07/2014	3017425	14819582.9	
3017556	Huawei Technologies Co., Ltd.	07/08/2014	3017556	14835223.0	
3022500	Commissariat à l'Énergie Atomique et aux Énergies Alternatives Mannesmann Precision Tubes France	18/07/2014	3022500	14741314.0	
3029472	LG Energy Solution, Ltd.	21/05/2014	3029472	14849230.9	
3034372	Toyota Jidosha Kabushiki Kaisha	22/10/2015	3034372	15190965.2	

*(10/04/2024)**Journal of the Intellectual Property Office of Ireland**(No. 2513)*

3036335	Kiverdi, Inc.	22/08/2014	3036335	14837144.6	
3041755	Balanced Earth Solutions LLC	10/08/2014	3041755	14842803.0	
3054001	Sekisui Medical Co., Ltd.	30/09/2014	3054001	14848880.2	
3061156	Endress+Hauser Flowtec AG	10/09/2014	3061156	14761865.6	German
3061567	Fuji Manufacturing Co., Ltd.	17/09/2014	3061567	14855828.1	
3069526	Phoenix Contact GmbH & Co. KG	12/11/2014	3069526	14796133.8	German
3075531	Ansaldo Energia IP UK Limited	31/03/2015	3075531	15162104.2	
3079564	L'OREAL	11/12/2014	3079564	14830629.3	
3082087	Yang, Chien-Kang	27/07/2015	3082087	15178522.7	
3082791	Ethypharm	18/12/2014	3082791	14827204.0	French
3084487	Bright View Technologies Corporation	16/12/2014	3084487	14871894.3	
3086228	Huawei Technologies Co., Ltd.	17/12/2014	3086228	14870974.4	
3089259	Alcatel Lucent	01/05/2015	3089259	15305678.3	
3089265	Swisscom AG	29/04/2015	3089265	15165768.1	
3090254	Global Life Sciences Solutions USA LLC	19/12/2014	3090254	14820857.2	
3090827	Koike Sanso Kogyo Co., Ltd.	16/12/2014	3090827	14875004.5	
3091937	Keystone Heart Ltd.	09/01/2015	3091937	15717961.5	
3091954	Robins, Douglas G.	08/01/2015	3091954	15735522.3	
3091995	SANOFI	08/01/2015	3091995	15700106.6	
3100722	Novaliq GmbH	12/09/2013	3100722	16173517.0	
3101640	AUDI AG	01/06/2016	3101640	16001231.6	
3104141	Interacoustics A/S	10/06/2016	3104141	16173944.6	
3107577	IBC Pharmaceuticals, Inc.	20/01/2015	3107577	15752087.5	
3118592	Krohne Messtechnik GmbH	16/06/2016	3118592	16174783.7	German
3123029	Project Phoenix, LLC	25/03/2015	3123029	15715589.6	
3123879	Altria Client Services LLC	31/01/2013	3123879	16165056.9	
3125075	Huawei Technologies Co. Ltd.	21/07/2015	3125075	15828228.5	
3129787	Centre Hospitalier Universitaire d'Angers Université d'Angers	08/04/2015	3129787	15713925.4	
3130280	Samsung Electronics Co., Ltd.	27/05/2016	3130280	16171607.1	
3131037	Intel Corporation	26/06/2013	3131037	16188797.1	
3133061	Masteam Bio-tech Co. Ltd.	16/04/2014	3133061	14889255.7	
3133241	RTX Corporation	19/08/2016	3133241	16185010.2	

*(10/04/2024)**Journal of the Intellectual Property Office of Ireland**(No. 2513)*

3139955	President and Fellows of Harvard College Dana-Farber Cancer Institute, Inc.	30/04/2015	3139955	15786070.1	
3140662	The Cleveland Clinic Foundation Parker Hannifin Corporation	08/05/2015	3140662	15727490.3	
3142573	Boston Scientific Scimed, Inc.	14/05/2015	3142573	15725193.5	
3143560	Qualcomm Incorporated	20/04/2015	3143560	15720525.3	
3144834	General Electric Company	15/09/2016	3144834	16189045.4	
3146561	Microchip Technology Incorporated	18/05/2015	3146561	15725962.3	
3147496	Honda Motor Co., Ltd.	12/09/2016	3147496	16188349.1	
3152635	Robert Bosch GmbH	08/06/2015	3152635	15728490.2	
3156185	Makita Corporation	02/06/2015	3156185	15806062.4	
3160468	O'Halloran, John Drost, John Terence	24/06/2015	3160468	15812141.8	
3161024	Dow Global Technologies LLC	24/06/2015	3161024	15742146.2	
3161436	Spectral Engines OY	29/06/2015	3161436	15811041.1	
3163308	SYSMEX CORPORATION	07/10/2016	3163308	16192787.6	
3164857	Puppo, Mario	06/07/2015	3164857	15751082.7	
3165243	Baxter International Inc. Baxter Healthcare SA	11/09/2007	3165243	16197425.8	
3166904	METTEN Technologies GmbH & Co. KG	10/07/2015	3166904	15741136.4	German
3168418	General Electric Technology GmbH	05/09/2016	3168418	16187171.0	
3171485	Samsung Electronics Co., Ltd.	09/09/2016	3171485	16187943.2	
3171834	Cascade Wellness Technologies, Inc.	23/07/2015	3171834	15824403.8	
3172988	Wehner, Daniel Müller, Manfred	17/05/2016	3172988	16169964.0	German
3174040	LG Display Co., Ltd.	23/11/2016	3174040	16200238.0	
3174991	Metabolon, Inc.	30/07/2015	3174991	15827995.0	
3175005	ArcelorMittal	23/07/2015	3175005	15762727.4	
3178224	Huawei Technologies Co. Ltd.	29/01/2016	3178224	16748638.0	
3178602	General Electric Technology GmbH	25/11/2016	3178602	16200630.8	
3180149	Gühring KG	12/08/2015	3180149	15756123.4	German
3181021	Steiner AG Weggis	23/11/2016	3181021	16200181.2	German
3184145	Ecole Polytechnique Fédérale de Lausanne (EPFL)	22/12/2015	3184145	15201930.3	
3188881	Titan Wood Limited	04/09/2015	3188881	15760149.3	

3189049	Genentech, Inc. Constellation Pharmaceuticals, Inc.	03/09/2015	3189049	15777756.6
3189349	Centre National d'Etudes Spatiales	02/09/2015	3189349	15763847.9
3193105	Bergstrom, Inc.	15/12/2016	3193105	16204259.2
3194081	Jim Lindsay Ltd	12/08/2015	3194081	15753142.7
3197797	LPW Technology Ltd	23/09/2015	3197797	15794957.9
3200303	Siemens Gamesa Renewable Energy A/S	29/01/2016	3200303	16153397.1
3200698	Samsung Electronics Co., Ltd.	24/12/2014	3200698	14903146.0
3204892	Edan Instruments, Inc.	28/09/2015	3204892	15848289.3
3213157	Siemens Aktiengesellschaft	30/10/2014	3213157	14799087.3
3213736	YUYAMA MFG. CO., LTD.	15/10/2015	3213736	15855343.8
3215002	The George Washington University 460Medical, Inc.	03/11/2015	3215002	15857544.9
3216933	ROCKWOOL A/S	20/10/2009	3216933	17160951.4
3221877	Eaton Intelligent Power Limited	07/10/2015	3221877	15781562.2
3222489	Hitachi, Ltd.	16/10/2015	3222489	15861470.1
3222994	Bonraybio Co. Ltd.	13/10/2015	3222994	15861680.5
3224012	Carboncure Technologies Inc.	24/11/2015	3224012	15862209.2
3226797	Convergent Dental, Inc.	04/12/2015	3226797	15817016.7
3226933	CareFusion 2200, Inc.	30/11/2015	3226933	15864547.3
3229101	Huawei Technologies Co. Ltd.	06/01/2016	3229101	16734917.4
3229877	Wake Forest University Health Sciences	11/12/2015	3229877	15866851.7
3234671	CommScope Connectivity Belgium BVBA CommScope Technologies LLC	15/12/2015	3234671	15870903.0
3236075	Fujitsu General Limited	11/12/2015	3236075	15869915.7
3236332	Amazon Technologies, Inc.	09/05/2007	3236332	17169658.6
3237184	Shell Internationale Research Maatschappij B.V.	22/12/2015	3237184	15813881.8
3239716	SYSMEX CORPORATION	27/04/2017	3239716	17168390.7
3240607	Koninklijke Philips N.V.	18/12/2015	3240607	15823797.4
3241036	Qualcomm Incorporated	19/11/2015	3241036	15805023.7
3244780	W.C. Bradley Co.	15/01/2016	3244780	16738009.6
3245460	PepsiCo, Inc.	14/01/2016	3245460	16737872.8
3245965	Medos International S.à.r.l	20/04/2017	3245965	17167371.8

(10/04/2024)

Journal of the Intellectual Property Office of Ireland

(No. 2513)

3246070	Gilead Sciences, Inc.	12/07/2012	3246070	17000383.4	
3246386	LG Electronics Inc.	18/05/2017	3246386	17171788.7	
3246390	LG Electronics Inc.	18/05/2017	3246390	17171816.6	
3249824	ZTE Corporation	07/01/2016	3249824	16748547.3	
3251503	Ablexis, LLC	31/03/2011	3251503	17178066.1	
3251522	SDS BIOTECH K.K.	29/01/2016	3251522	16743566.8	
3253280	ATO-Gear Holding B.V.	05/02/2016	3253280	16729080.8	
3253565	GKN Sinter Metals Engineering GmbH	29/01/2016	3253565	16702397.7	German
3255287	Claverham Limited	10/06/2016	3255287	16174011.3	
3260953	Apple Inc.	20/06/2017	3260953	17176813.8	
3276839	NXP USA, Inc.	25/07/2017	3276839	17183166.2	
3276840	NXP USA, Inc.	25/07/2017	3276840	17183167.0	
3277263	BioNTech SE	30/03/2016	3277263	16712339.7	
	TRON - Translationale Onkologie an der Universitätsmedizin der Johannes Gutenberg- Universität Mainz gemeinnützige GmbH				
3278354	Hutchinson Technology Incorporated	31/03/2016	3278354	16774169.3	
3283587	Allnex Netherlands B.V.	18/04/2016	3283587	16721663.9	
3284230	Telefonaktiebolaget LM Ericsson (publ)	16/04/2015	3284230	15720284.7	
3284982	Eagle Industry Co., Ltd.	03/09/2014	3284982	17186079.4	
3287988	Nctech Ltd	24/08/2017	3287988	17187829.1	
3288995	Henkel AG & Co. KGaA	21/04/2016	3288995	16720757.0	German
3289098	Sakura Finetek U.S.A., Inc.	15/04/2016	3289098	16720619.2	
3290963	Nuctech Company Limited	29/08/2017	3290963	17188243.4	
3291686	Compagnie Gervais Danone	03/05/2016	3291686	16724312.0	
3292142	Theriva Biologics S.L.	04/05/2016	3292142	16722384.1	
3294399	Acutus Medical, Inc.	12/05/2016	3294399	16793512.1	
3294913	Poet Research Incorporated	12/05/2016	3294913	16738232.4	
3297783	Fringero, Boaz	19/05/2016	3297783	16806968.0	
3301515	Brother Kogyo Kabushiki Kaisha	30/08/2017	3301515	17188460.4	
3302266	Given Imaging Ltd.	02/06/2016	3302266	16802695.3	
3310900	Thrive Bioscience, Inc.	31/03/2016	3310900	16774240.2	
3312916	Shin-Etsu Chemical Co., Ltd.	10/05/2016	3312916	16811177.1	
3314894	Fraunhofer-Gesellschaft zur Förderung der angewandten Forschung e.V.	25/06/2015	3314894	15741504.3	
3315578	AGC Inc.	17/06/2016	3315578	16814283.4	

(10/04/2024)

Journal of the Intellectual Property Office of Ireland

(No. 2513)

3315611	ARKRAY, Inc.	18/10/2017	3315611	17197033.8	
3315909	The Boeing Company	12/09/2017	3315909	17190618.3	
3316488	Alcatel Lucent	27/10/2016	3316488	16306411.6	
3317643	IMEC VZW	30/06/2016	3317643	16733539.7	
3317773	Privowny, Inc.	01/07/2016	3317773	16818941.3	
3322644	Medinnox GmbH	12/07/2016	3322644	16738418.9	German
3324855	Cedars-Sinai Medical Center	22/07/2016	3324855	16828665.6	
3326154	Photo Diagnostic Systems, Inc.	22/07/2016	3326154	16831158.7	
3329139	Volvo Truck Corporation	29/07/2015	3329139	15788183.0	
3329900	GC Corporation	13/07/2016	3329900	16832715.3	
3330699	CCS Inc.	22/06/2016	3330699	16830206.5	
3331595	CLPH, LLC	05/08/2016	3331595	16833985.1	
3335295	Oxford University Innovation Limited	12/08/2016	3335295	16753694.5	
3335984	The Boeing Company	24/11/2017	3335984	17203486.0	
3337003	Huawei Technologies Co., Ltd.	01/09/2016	3337003	16840842.5	
3338103	Allegro MicroSystems, LLC	01/08/2016	3338103	16748038.3	
3338708	Ethicon LLC	21/12/2017	3338708	17209618.2	
3339637	General Electric Renovables España, S.L.	12/12/2017	3339637	17206632.6	
3340937	Zimmer, Inc.	26/08/2016	3340937	16760332.3	
3342406	Shanxi Yabao Investment Group Co., Ltd. Yabao Pharmaceutical Group Co., Ltd.	26/05/2016	3342406	16838371.9	
3342661	Hyundai Motor Company Kia Corporation	05/12/2017	3342661	17205392.8	
3343432	Elektrobit Automotive GmbH	29/12/2016	3343432	16465563.1	
3344775	Monsanto Technology LLC	08/08/2016	3344775	16842539.5	
3347169	KUKA Deutschland GmbH	05/09/2016	3347169	16762971.6	German
3347759	LensVector Inc.	25/05/2016	3347759	16843322.5	
3352562	Afimilk Agricultural Cooperative Ltd.	21/09/2016	3352562	16848271.9	
3353325	AbVitro LLC	23/09/2016	3353325	16778963.5	
3353375	XGS Energy, Inc.	23/09/2016	3353375	16849806.1	
3353714	Qualcomm Incorporated	29/07/2016	3353714	16757395.5	
3354404	FANUC CORPORATION	15/01/2018	3354404	18151551.1	
3356864	PureFize Technologies AB Nanyang Technological University	19/09/2016	3356864	16849106.6	
3357703	Canon Kabushiki Kaisha	28/09/2016	3357703	16850675.6	

(10/04/2024)

Journal of the Intellectual Property Office of Ireland

(No. 2513)

3358761	NEC Corporation	15/09/2016	3358761	16850619.4	
3358980	Nike Innovate C.V.	05/10/2016	3358980	16788287.7	
3359545	FMC Corporation	07/10/2016	3359545	16784675.7	
3362418	Wacker Metroark Chemicals Pvt. Ltd.	12/10/2016	3362418	16794428.9	
3363167	Cisco Technology, Inc.	14/10/2016	3363167	16788335.4	
3363878	Chevron U.S.A. Inc.	29/06/2010	3363878	17202278.2	
3364447	Bruker Scientific LLC	17/01/2018	3364447	18152032.1	
3364648	Samsung Electronics Co., Ltd.	24/10/2016	3364648	16862328.8	
3364960	Flexopharm Brain GmbH & Co. KG	08/07/2016	3364960	16747738.9	German
3365286	Cohin Environnement	20/10/2016	3365286	16794226.7	French
3369497	Concept Laser GmbH	06/07/2017	3369497	17180097.2	German
3370635	St. Jude Medical International Holding S.à r.l.	28/12/2016	3370635	16829320.7	
3370861	Ecokap Technologies LLC	12/10/2016	3370861	16862678.6	
3371431	SAME DEUTZ-FAHR ITALIA S.p.A.	03/11/2016	3371431	16812853.6	
3373886	Medinox GmbH	08/11/2016	3373886	16791422.5	German
3373972	F. Hoffmann-La Roche AG	08/11/2016	3373972	16794290.3	
3374588	Rite-Hite Holding Corporation	08/11/2016	3374588	16798607.4	
3375083	Comrod As	10/11/2016	3375083	16864646.1	
3377973	Airbus Defence and Space Limited	16/11/2016	3377973	16801014.8	
3381398	Curexo, Inc.	14/11/2016	3381398	16868821.6	
3381471	The University of Melbourne	21/12/2009	3381471	18170226.7	
3383619	Sonics & Materials Inc.	30/11/2016	3383619	16871391.5	
3383632	Fraunhofer-Gesellschaft zur Förderung der angewandten Forschung e.V. Friedrich-Schiller-Universität Jena	29/11/2016	3383632	16805365.0	German
3383768	Ocado Innovation Limited	06/12/2016	3383768	16805850.1	
3384733	Dr. Ralf Hinkel Holding GmbH	01/12/2016	3384733	16806043.2	German
3388681	Edwards Japan Limited	08/12/2016	3388681	16873075.2	
3389132	Vehicle Energy Japan Inc.	02/12/2016	3389132	16872901.0	
3390044	SAINT-GOBAIN GLASS FRANCE	15/12/2016	3390044	16825716.0	German
3390762	Odfjell Drilling AS	23/08/2016	3390762	16754302.4	
3393410	Tan, Jason Jit-sun	21/12/2016	3393410	16877000.6	
3395613	Hitachi Astemo, Ltd.	09/11/2016	3395613	16878175.5	
3399877	RAI Strategic Holdings, Inc.	05/01/2017	3399877	17701183.0	
3404642	Honeywell International Inc.	10/05/2018	3404642	18171721.6	
3405206	Qi, Qing	20/01/2017	3405206	17741096.6	

*(10/04/2024)**Journal of the Intellectual Property Office of Ireland**(No. 2513)*

3406905	Mitsubishi Electric Corporation	22/01/2016	3406905	16886347.0	
3407403	Vehicle Energy Japan Inc.	28/05/2014	3407403	18171859.4	
3408023	TotalEnergies OneTech	30/01/2017	3408023	17743540.1	
3408412	The University of Melbourne	27/01/2017	3408412	17743495.8	
3408629	AMS Sensors UK Limited	24/01/2017	3408629	17701922.1	
3409927	RTX Corporation	24/05/2018	3409927	18174037.4	
3415085	Katholieke Universiteit Leuven, KU Leuven R&D Norges Teknisk-Naturvitenskapelige Universitet IMEC vzw VIB VZW	14/06/2017	3415085	17176000.2	
3417697	Kubota Corporation	20/06/2018	3417697	18178904.1	
3417974	General Electric Company	20/06/2018	3417974	18178747.4	
3418375	Osaka University	31/01/2017	3418375	17752954.2	
3418685	Casio Computer Co., Ltd.	18/06/2018	3418685	18178326.7	
3419003	Robert Bosch GmbH	18/06/2018	3419003	18178204.6	German
3420636	Airbus Defence and Space SAS	06/07/2017	3420636	17734772.1	French
3420891	Universidad De Sevilla	23/02/2017	3420891	17755874.9	
3421074	Hisamitsu Pharmaceutical Co., Inc.	15/02/2017	3421074	17756331.9	
3421235	HID Global CID SAS	28/06/2017	3421235	17178287.3	
3422576	Fraunhofer-Gesellschaft zur Förderung der angewandten Forschung e.V.	28/06/2018	3422576	18180275.2	German
3423701	Delphi Technologies IP Limited	10/02/2017	3423701	17704745.3	
3427992	Kiesling Fahrzeugbau GmbH	11/07/2018	3427992	18182828.6	German
3428140	Adobs I Innovació Fitovegetal Hortus Natura S.L.	14/10/2015	3428140	15906186.0	
3428183	Enzo Biochem, Inc.	21/06/2012	3428183	18173173.8	
3432356	LG Electronics Inc.	06/07/2018	3432356	18182180.2	
3433109	Fritz Egger GmbH & Co. OG	21/03/2017	3433109	17712748.7	German
3436622	Wayne State University	31/03/2017	3436622	17776739.9	
3436842	Koninklijke Philips N.V.	28/03/2017	3436842	17714192.6	
3436951	Anritsu Company	24/03/2017	3436951	17776363.8	
3437177	Global Life Sciences Solutions USA LLC	08/03/2017	3437177	17712626.5	
3437848	Nienstedt GmbH	03/08/2017	3437848	17184763.5	German
3438460	PFEIFFER VACUUM GMBH	04/08/2017	3438460	17185000.1	German

(10/04/2024)

Journal of the Intellectual Property Office of Ireland

(No. 2513)

3438671	Hitachi High-Tech Corporation	19/01/2017	3438671	17773529.7	
3439091	Toyota Jidosha Kabushiki Kaisha	12/06/2018	3439091	18177357.3	
3439440	AT & S Austria Technologie & Systemtechnik Aktiengesellschaft	04/08/2017	3439440	17185037.3	
3440051	Research Triangle Institute	23/03/2017	3440051	17779515.0	
3440578	ICU Medical, Inc.	05/04/2017	3440578	17718283.9	
3442368	Special Projects Operations, Inc.	06/04/2017	3442368	17782867.0	
3442549	International N&H Denmark ApS	06/04/2017	3442549	17715744.3	
3442628	KAER Biotherapeutics Corporation	15/04/2016	3442628	16898835.0	
3443507	Google LLC	17/05/2016	3443507	16725717.9	
3443684	Qualcomm Incorporated	31/03/2017	3443684	17719399.2	
3445222	Boston Scientific Scimed, Inc.	18/04/2017	3445222	17786483.2	
3445280	The United States of America, as represented by The Secretary, Department of Health and Human Service Transmural Systems LLC	24/04/2017	3445280	17786794.2	
3447588	Dualitas Ltd.	20/08/2018	3447588	18189794.3	
3447627	Samsung Electronics Co., Ltd.	23/08/2018	3447627	18190440.0	
3447904	B&R Industrial Automation GmbH	21/08/2017	3447904	17187110.6	German
3449287	Wigner Research Center for Physics of the Hungarian Academy of Science The University of Tokyo	21/04/2017	3449287	17722162.9	
3451321	LG Display Co., Ltd.	29/08/2018	3451321	18191531.5	
3454899	UCB Biopharma SRL	11/05/2017	3454899	17725544.5	
3455528	Fisher Controls International LLC	20/04/2017	3455528	17722241.1	
3455934	Astronics Advanced Electronic Systems Corp.	20/06/2017	3455934	17816049.5	
3457336	Tencent Technology (Shenzhen) Company Limited	10/05/2017	3457336	17795546.5	
3459562	Bharat Biotech International Limited	03/01/2012	3459562	18202062.8	
3460876	KABUSHIKI KAISHA TOSHIBA	07/03/2018	3460876	18160436.4	
3461293	Apple Inc.	14/07/2017	3461293	17743453.7	
3461440	Ethicon LLC	28/09/2018	3461440	18197677.0	
3462164	Baumer Inspection GmbH	10/08/2018	3462164	18188506.2	German
3462795	Apple Inc.	02/10/2018	3462795	18198168.9	
3464460	Dow Global Technologies LLC	24/05/2017	3464460	17728373.6	

(10/04/2024)

Journal of the Intellectual Property Office of Ireland

(No. 2513)

3465608	Continental Autonomous Mobility Germany GmbH	30/05/2017	3465608	17755056.3	German
3467213	Rumankova, Renata	09/10/2017	3467213	17195562.8	German
3467248	Lumon Invest Oy	31/08/2018	3467248	18397523.4	
3468687	Amalgamated Research LLC	21/03/2017	3468687	17810657.1	
3469427	Suez International	12/06/2017	3469427	17728572.3	French
3469804	Sony Interactive Entertainment LLC	08/06/2017	3469804	17737934.4	
3470075	Murata Manufacturing Co., Ltd.	12/06/2017	3470075	17813247.8	
3470534	Arcedi Biotech ApS	07/01/2010	3470534	18205662.2	
3470683	Ametek, Inc.	11/10/2018	3470683	18199856.8	
3471387	Tencent Technology (Shenzhen) Company Limited	12/06/2017	3471387	17812679.3	
3472581	SI-Ware Systems	15/06/2017	3472581	17733297.0	
3473020	Arkamys	19/06/2017	3473020	17740054.6	French
3474120	AR Technology GmbH	18/10/2017	3474120	17197158.3	German
3474845	ChemoCentryx, Inc.	26/06/2017	3474845	17821019.1	
3475242	SAINT-GOBAIN PLACO	22/06/2017	3475242	17737001.2	French
3475313	Borealis AG	20/06/2017	3475313	17730502.6	
3475679	Colorado State University Research Foundation	22/06/2017	3475679	17737946.8	
3475896	3M Innovative Properties Company	23/06/2017	3475896	17736840.4	
3476146	Lenovo Innovations Limited (Hong Kong)	27/07/2016	3476146	16910053.4	
3478091	Halo Life Science, LLC	29/06/2017	3478091	17819474.2	
3478149	Intuitive Surgical Operations, Inc.	30/06/2017	3478149	17821332.8	
3478250	The Procter & Gamble Company	23/06/2017	3478250	17735328.1	
3478687	Daewoong Pharmaceutical Co., Ltd.	30/06/2017	3478687	17820582.9	
3481483	Medtronic Vascular Inc.	03/07/2017	3481483	17740846.5	
3481484	Intuitive Surgical Operations, Inc.	07/07/2017	3481484	17825007.2	
3482111	FITT S.p.A	28/09/2017	3482111	17794056.6	
3482381	Autronica Fire & Security AS	11/07/2017	3482381	17737797.5	
3483707	Samsung Display Co., Ltd.	28/09/2018	3483707	18197549.1	
3485498	Norddeutsche Seekabelwerke GmbH	27/06/2017	3485498	17749361.6	German
3487530	Wisconsin Alumni Research Foundation	25/07/2017	3487530	17752519.3	
3487919	Omya International AG	13/07/2017	3487919	17739270.1	
3488870	Ambrx, Inc.	19/06/2013	3488870	18202270.7	

(10/04/2024)

Journal of the Intellectual Property Office of Ireland

(No. 2513)

3491266	Hasse & Wrede GmbH	21/07/2017	3491266	17751278.7	German
3491555	Fraunhofer-Gesellschaft zur Förderung der angewandten Forschung e.V.	27/07/2016	3491555	16744748.1	
3491914	Dirven, Sebastiaan Johannes Hendricus Meteor Systems B.V.	29/11/2017	3491914	17001955.8	
3491957	Dongguan Jianghao Plastic Products Co., Ltd.	19/01/2017	3491957	17836144.0	
3492042	Boston Scientific Scimed, Inc.	22/12/2004	3492042	18200191.7	
3493682	International Animal Health Products Pty Ltd	25/07/2017	3493682	17836085.5	
3494648	Nokia Technologies Oy	05/08/2016	3494648	16758278.2	
3496661	W. L. Gore & Associates, Inc.	08/08/2017	3496661	17755599.2	
3496691	The Procter & Gamble Company	11/08/2017	3496691	17754981.3	
3497186	The Fuel Matrix, LLC	04/08/2017	3497186	17840051.1	
3497187	The Fuel Matrix, LLC	04/08/2017	3497187	17840064.4	
3497302	Geoquest Systems B.V.	09/09/2016	3497302	16912864.2	
3497453	Tiptek, LLC	09/08/2017	3497453	17840173.3	
3497950	Hewlett-Packard Development Company, L.P.	21/11/2016	3497950	16921743.7	
3498162	Biosense Webster (Israel) Ltd.	12/12/2018	3498162	18211843.0	
3498210	Eximis Surgical, LLC	21/07/2015	3498210	19152260.6	
3498366	DIC Corporation	10/08/2017	3498366	17839589.3	
3501200	Apple Inc.	03/03/2017	3501200	17841776.2	
3503302	Tyco Electronics Raychem GmbH	20/12/2017	3503302	17209060.7	
3503733	Iowa State University Research Foundation, Inc.	23/08/2017	3503733	17761713.1	
3503817	Life Spine, Inc.	29/08/2017	3503817	17847374.0	
3504391	Rittal GmbH & Co. KG	06/11/2017	3504391	17801335.5	German
3504580	Carl Zeiss Jena GmbH	10/08/2017	3504580	17757485.2	German
3505125	Ethicon LLC	28/12/2018	3505125	18275233.7	
3505133	Biosense Webster (Israel) Ltd. Acclarent, Inc.	24/12/2018	3505133	18215886.5	
3505294	ASMPT Singapore Pte. Ltd.	12/11/2018	3505294	18020593.2	
3506905	Eli Lilly and Company	24/08/2017	3506905	17761723.0	
3507084	Thinking Additive Limited	31/08/2017	3507084	17777648.1	
3508157	Beijing Surgerii Robotics Company Limited	31/08/2017	3508157	17845500.2	

*(10/04/2024)**Journal of the Intellectual Property Office of Ireland**(No. 2513)*

3508210	K-LAB CORP	01/09/2017	3508210	17847047.2	
3509248	Wirepas Oy	21/12/2018	3509248	18215216.5	
3509672	Norton Healthcare Limited	11/09/2017	3509672	17764604.9	
3510289	KSB SE & Co. KGaA	01/09/2017	3510289	17765122.1	German
3511163	Concept Laser GmbH	12/01/2018	3511163	18151419.1	
3513202	G & W Electric Company	13/09/2017	3513202	17822468.9	
3514194	Sumitomo Chemical Company, Limited	14/09/2017	3514194	17850980.8	
3515268	Essity Hygiene and Health Aktiebolag	19/09/2016	3515268	16766585.0	
3516290	Carl Zeiss Jena GmbH	20/09/2017	3516290	17771430.0	German
3517239	Daihen Corporation	23/01/2019	3517239	19153217.5	
3517596	The Procter & Gamble Company	19/12/2018	3517596	18214163.0	
3517597	The Procter & Gamble Company	19/12/2018	3517597	18214175.4	
3517668	Knitido Co., Ltd.	19/11/2018	3517668	18207041.7	
3519126	Nikon SLM Solutions AG	25/09/2017	3519126	17780042.2	German
3519490	Dow Global Technologies LLC	20/09/2017	3519490	17787276.9	
3520661	OP-Hygiene IP GmbH	11/05/2017	3520661	19161361.1	
3520806	Scott & White Memorial Hospital	07/09/2007	3520806	19159793.9	
3522051	Huawei Technologies Co., Ltd.	30/06/2017	3522051	17861942.5	
3523941	Continental Automotive Technologies GmbH	06/10/2017	3523941	17787873.3	German
3525825	Cipla Limited	13/10/2017	3525825	17797764.2	
3526627	Geoquest Systems B.V.	13/10/2016	3526627	16809167.6	
3527547	Kyoto University	11/12/2015	3527547	19168417.4	
3527594	ASAHI KASEI KABUSHIKI KAISHA	13/10/2017	3527594	17859624.3	
3527747	St Quadrat Fall Protection S.A.	18/02/2019	3527747	19157640.4	German
3528113	Huawei Technologies Co., Ltd.	19/10/2017	3528113	17862584.4	
3529586	First Frontier Pty Ltd	20/10/2017	3529586	17861599.3	
3529589	Entia Limited	09/10/2017	3529589	17783571.7	
3531018	SunCoke Technology and Development LLC	28/09/2012	3531018	19166898.7	
3531468	Metabowerke GmbH	08/01/2019	3531468	19150717.7	German
3531722	Huawei Technologies Co., Ltd.	31/10/2016	3531722	16919849.6	
3531951	Orthosoft ULC	26/10/2017	3531951	17865064.4	
3535098	UES, Inc.	03/11/2017	3535098	17867006.3	
3535409	CD Diagnostics, Inc.	03/11/2017	3535409	17805333.6	
3535613	Commscope Technologies LLC	06/11/2017	3535613	17868319.9	
3535845	Texas Instruments Incorporated	02/11/2017	3535845	17868166.4	

(10/04/2024)

Journal of the Intellectual Property Office of Ireland

(No. 2513)

3536231	Mayo Foundation for Medical Education and Research	01/07/2014	3536231	19171646.3	
3536615	The Boeing Company	20/12/2018	3536615	18214647.2	
3538263	Dow Technology Investments LLC	06/11/2017	3538263	17807969.5	
3538264	Dow Technology Investments LLC	06/11/2017	3538264	17807970.3	
3538489	Rocher Manganese, Inc.	09/11/2017	3538489	17870326.0	
3538667	Qvella Corporation	08/11/2017	3538667	17868696.0	
3538759	Siemens Gamesa Renewable Energy A/S	09/11/2017	3538759	17807727.7	
3539382	Onward Ceramic Coating Co., Ltd. Kanazawa Medical University Kanazawa Institute of Technology	09/11/2017	3539382	17870605.7	
3540228	Daikin Industries, Ltd.	20/02/2018	3540228	18753919.2	
3544388	The Boeing Company	21/03/2019	3544388	19164482.2	
3544601	Translational Drug Development, LLC	24/11/2017	3544601	17875035.2	
3545832	Zhejiang Mailian Medical Equipment Co., Ltd	20/11/2017	3545832	17874481.9	
3545922	Daio Paper Corporation	22/11/2017	3545922	17873060.2	
3546999	Fujikura Ltd.	15/11/2017	3546999	17875672.2	
3547552	Capital One Services, LLC	28/03/2019	3547552	19166020.8	
3547582	Optis Wireless Technology, LLC	27/09/2007	3547582	19174468.9	
3548980	Rheem Australia PTY Limited	23/10/2017	3548980	17876518.6	
3549013	Stachura, Thomas	01/12/2017	3549013	17876834.7	
3549119	HERE Global B.V.	27/11/2017	3549119	17817147.6	
3549130	Numem Inc.	30/11/2017	3549130	17877316.4	
3551097	Orthotaxy	25/10/2017	3551097	17794936.9	
3551098	Orthotaxy	08/12/2017	3551098	17816664.1	
3551099	Orthotaxy	07/12/2017	3551099	17829134.0	
3551672	SABIC Global Technologies B.V.	05/12/2017	3551672	17826437.0	
3553141	Siemens Gamesa Renewable Energy Innovation & Technology S.L. Nanyang Technological University	18/10/2016	3553141	16919484.2	
3554322	Breville Pty Limited	15/12/2017	3554322	17881532.0	
3554411	Ethicon LLC	05/12/2017	3554411	17832119.6	
3555750	Google LLC	16/01/2018	3555750	18714087.6	
3557105	AUMA Riester GmbH & Co. KG	17/04/2019	3557105	19169756.4	German
3558667	Henkel AG & Co. KGaA	22/12/2017	3558667	17885384.2	

(10/04/2024)

Journal of the Intellectual Property Office of Ireland

(No. 2513)

3559974	Eaton Intelligent Power Limited	18/12/2017	3559974	17829090.4	
3560071	ebm-papst Mulfingen GmbH & Co. KG	20/12/2017	3560071	17822661.9	German
3560211	Global Invacom Ltd.	27/12/2017	3560211	17829274.4	
3561074	Precision for Medicine GmbH	22/04/2014	3561074	19160756.3	
3561967	Aptiv Technologies Limited	04/05/2018	3561967	18170752.2	
3562155	Hangzhou Hikvision Digital Technology Co., Ltd.	31/05/2017	3562155	17884537.6	
3565257	Samsung Electronics Co., Ltd.	18/01/2019	3565257	19152622.7	
3565551	Melinta Therapeutics, Inc.	08/01/2018	3565551	18735813.0	
3568432	SHPP Global Technologies B.V.	11/01/2018	3568432	18704593.5	
3568625	Crossford International, LLC	11/01/2017	3568625	17891834.8	
3569125	LG Electronics Inc.	08/01/2018	3569125	18738571.1	
3569299	Gantner, Rupert Magnus	23/04/2019	3569299	19170639.9	German
3569460	Hyundai Motor Company Kia Corporation	04/04/2019	3569460	19167266.6	
3569835	Winterthur Gas & Diesel Ltd.	17/05/2019	3569835	19175055.3	
3572574	LG Electronics Inc.	23/08/2019	3572574	19193294.6	
3572654	Mazda Motor Corporation	16/05/2019	3572654	19174806.0	
3573907	Forbo Siegling GmbH	26/01/2018	3573907	18702235.5	German
3575721	Valeo Vyminky Tepla, s.r.o.	30/05/2018	3575721	18175180.1	
3576004	Diebold Nixdorf Systems GmbH	30/05/2018	3576004	18175007.6	German
3577234	Ludwig Institute For Cancer Research Ltd.	30/01/2018	3577234	18707780.5	
3578040	Mars, Incorporated	03/05/2019	3578040	19000213.9	
3578137	Tau Medical Inc.	15/12/2017	3578137	17894825.3	
3578431	NISSAN MOTOR CO., LTD.	30/06/2015	3578431	19175836.6	
3578657	Alnylam Pharmaceuticals, Inc.	06/04/2011	3578657	19170089.7	
3578673	Middle East Mine and Industry Company	14/12/2015	3578673	18203528.7	
3578711	Toray Industries, Inc.	26/01/2018	3578711	18748509.9	
3581229	Covidien LP	21/05/2019	3581229	19175707.9	
3582280	Novald GmbH	14/06/2018	3582280	18177827.5	
3583554	Northrop Grumman Systems Corporation	29/01/2018	3583554	18704744.4	
3585220	Société des Produits Nestlé S.A.	22/02/2018	3585220	18707676.5	
3585254	Masimo Corporation	22/02/2018	3585254	18712036.5	
3585592	EOS GmbH Electro Optical Systems	24/04/2018	3585592	18719858.5	German

(10/04/2024)

Journal of the Intellectual Property Office of Ireland

(No. 2513)

3585757	CLEANBAY RENEWABLES LLC	23/02/2018	3585757	18758521.1	
3585910	Danisco US Inc.	22/02/2018	3585910	18708867.9	
3586541	Samsung Electronics Co., Ltd.	15/05/2018	3586541	18801794.1	
3586584	Deere & Company	15/05/2019	3586584	19174744.3	
3586714	Sony Olympus Medical Solutions Inc.	25/10/2017	3586714	17900201.9	
3586898	Fisher & Paykel Healthcare Limited	02/05/2012	3586898	19176454.7	
3587400	Chiesi Farmaceutici S.p.A.	17/10/2014	3587400	19183016.5	
3588143	BlackBerry Limited	13/06/2019	3588143	19179876.8	
3588955	Qualcomm Incorporated	26/07/2016	3588955	19189431.0	
3590293	QUALCOMM Incorporated	22/02/2018	3590293	18710198.5	
3590518	Dynavax Technologies Corporation	23/05/2016	3590518	19185833.1	
3592735	Jubilant Generics Limited (Formerly a Division of Jubilant Life Sciences Limited)	20/11/2017	3592735	17835445.2	
3592772	Chemomab Ltd.	08/03/2018	3592772	18717135.0	
3593230	Apple Inc.	16/05/2018	3593230	18730541.2	
3593328	Qualcomm Incorporated	05/02/2018	3593328	18706917.4	
3593906	ABB Schweiz AG	16/08/2018	3593906	18846382.2	
3594753	Brother Kogyo Kabushiki Kaisha	22/06/2017	3594753	17899404.2	
3595332	Usound GmbH	12/07/2019	3595332	19186136.8	German
3596140	SABIC Global Technologies B.V.	16/03/2018	3596140	18711113.3	
3598971	Vistagen Therapeutics, Inc.	22/01/2014	3598971	19196366.9	
3600435	Lipid Systems sp. z.o.o.	23/03/2018	3600435	18714474.6	
3600730	Ald Vacuum Technologies GmbH	15/05/2018	3600730	18724868.7	German
3600919	Bridgestone Bandag, LLC	21/03/2018	3600919	18776170.5	
3601002	Neonode Inc.	06/03/2018	3601002	18771699.8	
3601502	Dow Global Technologies LLC	19/03/2018	3601502	18715447.1	
3602329	Google LLC	20/12/2017	3602329	17832138.6	
3602343	Kellogg Company	15/03/2018	3602343	18715868.8	
3603195	QUALCOMM Incorporated	22/02/2018	3603195	18710197.7	
3603213	Google LLC	19/04/2018	3603213	18727072.3	
3603954	Teijin Limited Tsukishima Kikai Co., Ltd.	28/03/2018	3603954	18776542.5	
3604131	HENSOLDT Sensors GmbH	31/07/2018	3604131	18186540.3	German
3604482	Adeka Corporation	29/03/2018	3604482	18776682.9	
3605126	LG Energy Solution, Ltd.	01/11/2018	3605126	18873100.4	
3605710	LG Energy Solution, Ltd.	20/09/2018	3605710	18857655.7	

*(10/04/2024)**Journal of the Intellectual Property Office of Ireland**(No. 2513)*

3606635	United Rentals, Inc.	03/05/2019	3606635	19794869.8	
3607612	Huawei Technologies Co., Ltd.	30/05/2017	3607612	17730404.5	
3608001	Sony Interactive Entertainment LLC	12/12/2013	3608001	19183679.0	
3608771	Samsung Electronics Co., Ltd.	08/08/2019	3608771	19190726.0	
3608819	Nomura Research Institute, Ltd.	03/04/2018	3608819	18781236.7	
3608972	TDK Corporation	26/01/2018	3608972	18778040.8	
3609906	X-Therma, Inc.	11/04/2018	3609906	18785013.6	
3610251	Robert Bosch GmbH	04/04/2018	3610251	18717544.3	German
3610790	Interacoustics A/S	10/07/2019	3610790	19185382.9	
3611275	JFE Steel Corporation	29/03/2018	3611275	18785136.5	
3611745	ABB Schweiz AG	16/08/2018	3611745	18189231.6	
3613258	Philip Morris Products S.A.	19/04/2018	3613258	18722872.1	
3613283	Julius-K9 Zrt.	14/08/2019	3613283	19000374.9	
3613325	Samsung Electronics Co., Ltd.	26/06/2019	3613325	19182721.1	
3613744	Samsung Display Co., Ltd.	16/08/2019	3613744	19192070.1	
3613819	tesa SE	31/07/2019	3613819	19189373.4	German
3614410	Finder S.P.A.	01/10/2015	3614410	19189300.7	
3614477	LG Energy Solution, Ltd.	02/11/2018	3614477	18884222.3	
3614742	Huawei Technologies Co., Ltd.	06/06/2018	3614742	18812981.1	
3614946	EPiX Therapeutics, Inc.	26/04/2018	3614946	18790093.1	
3615242	Stolle Machinery Company, LLC	13/04/2018	3615242	18791254.8	
3616058	Google LLC	09/07/2018	3616058	18752901.1	
3616061	Cisco Technology, Inc.	27/04/2018	3616061	18725978.3	
3616281	Google LLC	14/06/2018	3616281	18738089.4	
3616406	HFI Innovation Inc.	17/05/2018	3616406	18801342.9	
3616827	Mitsubishi Electric Corporation	26/01/2018	3616827	18792281.0	
3617740	Infineon Technologies AG	28/08/2019	3617740	19193978.4	
3618069	Huawei Technologies Co., Ltd.	05/11/2014	3618069	19181627.1	
3619472	BSH Hausgeräte GmbH	12/04/2018	3619472	18717599.7	German
3620730	Qingdao Haier Joint Stock Co., Ltd	25/04/2018	3620730	18795024.1	
3620849	LG CHEM, LTD.	08/01/2019	3620849	19738975.2	
3622958	Zhejiang University	08/05/2018	3622958	18798117.0	
3623356	Honeywell International Inc.	13/09/2019	3623356	19197420.3	
3623551	Ford Global Technologies, LLC	03/09/2019	3623551	19195131.8	
3623978	Kim, Deok Woo	23/04/2018	3623978	18797801.0	
3624359	Huawei Technologies Co., Ltd.	31/05/2018	3624359	18810709.8	
3624475	Abbott Diabetes Care, Inc.	20/05/2015	3624475	19183545.3	

*(10/04/2024)**Journal of the Intellectual Property Office of Ireland**(No. 2513)*

3625053	ExxonMobil Chemical Patents Inc.	27/04/2018	3625053	18727093.9	
3625462	Tippett, Jonathan	17/05/2018	3625462	18802228.9	
3625597	Københavns Universitet	18/05/2018	3625597	18729864.1	
3625765	Leica Biosystems Imaging, Inc.	21/12/2018	3625765	18893447.5	
3626543	KNORR-BREMSE Systeme für Nutzfahrzeuge GmbH	18/09/2018	3626543	18195119.5	
3626605	Airbus Operations Limited	18/09/2019	3626605	19198076.2	
3626849	JFE Steel Corporation	24/04/2018	3626849	18803047.2	
3627268	Huawei Technologies Co., Ltd.	13/06/2018	3627268	18816923.9	
3628166	Meyn Food Processing Technology B.V.	23/09/2019	3628166	19198988.8	
3628179	Shenzhen IVPS Technology Co., Ltd.	26/12/2018	3628179	18215901.2	
3628839	Pratt & Whitney Canada Corp.	27/09/2019	3628839	19200272.3	
3629333	Siemens Healthineers International AG Varian Medical Systems Inc	26/09/2019	3629333	19199761.8	
3629948	Biomet Manufacturing, LLC	21/05/2018	3629948	18729313.9	
3630250	Fisher & Paykel Healthcare Limited	25/05/2018	3630250	18806397.8	
3630258	Scientia Vascular, Inc.	25/05/2018	3630258	18731689.8	
3630378	A O Ideas GmbH	27/05/2018	3630378	18726481.7	German
3630816	Boehringer Ingelheim International GmbH	30/05/2018	3630816	18729376.6	
3631120	Spanset Inter AG	18/05/2018	3631120	18759168.0	German
3631296	Bosch Termotecnologia S.A.	29/05/2018	3631296	18728119.1	German
3632248	MPOINTAERO Inc.	24/04/2018	3632248	18810853.4	
3632477	Huizhou Foryou Medical Devices Co., Ltd.	23/05/2017	3632477	17910932.7	
3632574	Exel Industries	30/09/2019	3632574	19200552.8	French
3632830	Otis Elevator Company	04/10/2018	3632830	18198698.5	
3633843	Huawei Digital Power Technologies Co., Ltd.	13/04/2018	3633843	18820041.4	
3634167	Bell Sports, Inc.	09/05/2018	3634167	18799396.9	
3634181	Dreamwell, Ltd. Nottingham Spirk Design Associates	03/04/2018	3634181	18719382.6	
3634648	General Cable Technologies Corporation	10/05/2018	3634648	18798782.1	
3635796	Council of Scientific and Industrial Research	25/05/2018	3635796	18731532.0	

*(10/04/2024)**Journal of the Intellectual Property Office of Ireland**(No. 2513)*

3636800	The Boeing Company	22/09/2017	3636800	19213692.7	
3637136	SICK AG	27/08/2019	3637136	19193687.1	German
3637456	CANON KABUSHIKI KAISHA	01/10/2019	3637456	19200694.8	
3639145	Rambus Inc.	15/05/2018	3639145	18818109.3	
3639468	nChain Licensing AG	11/06/2018	3639468	18737420.2	
3639811	Highlight Therapeutics, S.L.	17/11/2016	3639811	19192230.1	
3640042	Unilin, BV	18/11/2009	3640042	19215634.7	
3640605	Endress + Hauser Flowtec AG	19/09/2013	3640605	19216077.8	German
3641345	Sivantos Pte. Ltd.	08/10/2019	3641345	19202045.1	
3641709	ALCON INC.	11/06/2018	3641709	18734968.3	
3641741	University of Maryland, Baltimore	19/06/2018	3641741	18819941.8	
3641787	The Regents of the University of California	19/06/2018	3641787	18820526.4	
3641965	Carl Zeiss Industrielle Messtechnik GmbH	19/06/2018	3641965	18733231.7	German
3642340	Jazz Pharmaceuticals Ireland Limited	21/06/2018	3642340	18731853.0	
3643620	Goodrich Lighting Systems GmbH	22/10/2018	3643620	18201803.6	
3643873	Frank's International, LLC	14/06/2017	3643873	19209422.5	
3644556	Huawei Technologies Co., Ltd.	14/05/2018	3644556	18836132.3	
3645425	Dow Global Technologies LLC	17/07/2018	3645425	18765221.9	
3646255	Worldline	29/06/2018	3646255	18742713.3	French
3646461	HRL Laboratories, LLC	26/06/2018	3646461	18844500.1	
3646619	Qualcomm Incorporated	23/05/2018	3646619	18733032.9	
3647818	Furuno Electric Co., Ltd.	29/05/2018	3647818	18822651.8	
3648168	BOE Technology Group Co., Ltd. Chengdu BOE Optoelectronics Technology Co., Ltd.	23/05/2018	3648168	18825345.4	
3648718	Essity Hygiene and Health Aktiebolag	05/07/2018	3648718	18736907.9	
3649041	Control Cutter AS	14/06/2018	3649041	18828344.4	
3649169	Hilti Aktiengesellschaft	21/06/2018	3649169	18732080.9	German
3649367	ZF Friedrichshafen AG	21/06/2018	3649367	18734503.8	German
3649482	Waymo LLC	06/06/2018	3649482	18841748.9	
3650065	Liu, Tuanfang	06/03/2019	3650065	19160935.3	
3650082	O-pac S.r.l. Società A Socio Unico	07/11/2018	3650082	18204868.6	
3650785	Carrier Corporation	09/11/2018	3650785	18205430.4	
3651348	LG Electronics Inc.	05/07/2018	3651348	18827944.2	
3651657	Biomet Sports Medicine, LLC	13/07/2018	3651657	18749254.1	

(10/04/2024)

Journal of the Intellectual Property Office of Ireland

(No. 2513)

3652259	PPG Industries Ohio, Inc.	12/07/2018	3652259	18746541.4	
3654876	Edwards Lifesciences Corporation	18/07/2018	3654876	18836059.8	
3656210	Afimilk Agricultural Cooperative Ltd.	25/11/2019	3656210	19211274.6	
3657572	Maxell, Ltd.	18/07/2018	3657572	18835732.1	
3657784	Lens Correction Technologies	02/07/2010	3657784	20151198.7	French
3658051	St. Jude Medical, Cardiology Division, Inc.	13/09/2018	3658051	18779938.2	
3658177	Ipsen Biopharm Limited	27/07/2018	3658177	18752615.7	
3658533	Dow Global Technologies LLC Rohm and Haas Company	25/06/2018	3658533	18746785.7	
3658535	Rohm and Haas Company Dow Global Technologies LLC	25/06/2018	3658535	18747039.8	
3659500	TrichoLAB Spółka z ograniczona odpowiedzialnoscia	27/07/2017	3659500	19216798.9	
3659899	ArcelorMittal	22/09/2014	3659899	20153326.2	
3660261	HALLIBURTON ENERGY SERVICES, INC.	31/05/2011	3660261	20153243.9	
3660743	Tata Consultancy Services Limited	05/04/2019	3660743	19167529.7	
3660836	Harman International Industries, Incorporated	23/10/2019	3660836	19204865.0	
3661819	HELLA GmbH & Co. KGaA	16/07/2018	3661819	18742995.6	German
3662302	Qualcomm Incorporated	27/06/2018	3662302	18742885.9	
3662969	Helius Medical, Inc	30/11/2015	3662969	19183730.1	
3663323	Univation Technologies, LLC	10/02/2015	3663323	20152885.8	
3664772	Symrise AG	09/08/2017	3664772	17758815.9	
3665070	Divergent Technologies Inc.	02/08/2018	3665070	18844202.4	
3665560	Kioxia Corporation	06/08/2018	3665560	18793261.1	
3665782	Ciena Corporation	30/07/2018	3665782	18760025.9	
3668101	Saturn Licensing, LLC	27/07/2018	3668101	18845008.4	
3668145	Sharp Kabushiki Kaisha FG INNOVATION COMPANY LIMITED	23/07/2018	3668145	18844126.5	
3668259	Samsung Electronics Co., Ltd.	11/12/2019	3668259	19215217.1	
3668557	Terumo Kabushiki Kaisha	09/08/2018	3668557	18759766.1	
3668927	ETH Zurich	10/09/2018	3668927	18779045.6	
3669572	Samsung Electronics Co., Ltd.	09/11/2018	3669572	18875352.9	
3670309	Eco Log Sweden AB	10/12/2019	3670309	19214702.3	

*(10/04/2024)**Journal of the Intellectual Property Office of Ireland**(No. 2513)*

3670427	BlitzRotary GmbH	17/12/2019	3670427	19217014.0	German
3670582	Indorama Ventures Luxembourg Holding S.A.	21/12/2018	3670582	18215266.0	
3670797	HUF Hülsbeck & Fürst GmbH & Co. KG	16/12/2019	3670797	19216616.3	German
3671351	Toshiba Tec Kabushiki Kaisha	08/10/2019	3671351	19201899.2	
3671541	Tobii AB	10/12/2019	3671541	19214992.0	
3672008	NR Electric Co., Ltd. NR Engineering Co., Ltd.	11/09/2018	3672008	18891849.4	
3672371	Valeo Vision	21/12/2018	3672371	18215631.5	
3672515	Salehi, Maziar Biolase, Inc.	27/08/2018	3672515	18848005.7	
3673911	The UAB Research Foundation IN8bio, Inc.	18/08/2017	3673911	20154049.9	
3674270	SUMITA OPTICAL GLASS, INC.	20/12/2017	3674270	17922472.0	
3675751	Ethicon LLC	21/08/2018	3675751	18769797.4	
3676588	Mueller International, LLC	16/10/2018	3676588	18871015.6	
3676855	Westinghouse Electric Company Llc	08/08/2018	3676855	18852119.9	
3677207	Creo Medical Limited	18/10/2016	3677207	20157935.6	
3677459	Thermo King LLC	20/12/2019	3677459	19219088.2	
3677505	Textron Innovations Inc.	02/01/2020	3677505	20150133.5	
3677660	DL Chemical Co., Ltd.	14/11/2019	3677660	19209254.2	
3677792	Danfoss A/S	11/11/2019	3677792	19208389.7	
3678053	Samsung Display Co., Ltd.	03/01/2020	3678053	20150232.5	
3678163	FUJIFILM Corporation	30/07/2018	3678163	18850652.1	
3679182	Acetate International LLC	08/09/2018	3679182	18779772.5	
3679232	The Nordam Group LLC	22/08/2018	3679232	18853337.6	
3680770	Huawei Technologies Co., Ltd.	30/09/2017	3680770	17926726.5	
3680894	Baidu Online Network Technology (Beijing) Co., Ltd.	12/12/2019	3680894	19215676.8	
3680899	Fraunhofer-Gesellschaft zur Förderung der angewandten Forschung e.V.	28/01/2014	3680899	20159123.7	
3680949	LG Innotek Co., Ltd.	24/08/2018	3680949	18853058.8	
3681145	Sony Semiconductor Solutions Corporation	06/09/2018	3681145	18853816.9	
3681609	Microsoft Technology Licensing, LLC	13/10/2018	3681609	18797319.3	
3681615	Pentair Water Pool and Spa, Inc.	12/09/2018	3681615	18855455.4	

*(10/04/2024)**Journal of the Intellectual Property Office of Ireland**(No. 2513)*

3681845	Teknologian Tutkimuskeskus VTT Oy	12/09/2018	3681845	18774088.1	
3682281	AMS Sensors Singapore Pte. Ltd.	16/08/2018	3682281	18855655.9	
3683863	GS Yuasa International Ltd.	05/10/2018	3683863	18872971.9	
3684075	Sonova AG	18/12/2019	3684075	19217342.5	
3684079	Sonova AG	29/03/2019	3684079	19166417.6	
3684252	Universitat de Barcelona Universitat Politècnica De Catalunya Fundació Institut d'Investigació en Ciències de la Salut Germans Trias i Pujol	18/09/2018	3684252	18783365.2	
3684468	RefleXion Medical, Inc.	21/09/2018	3684468	18857863.7	
3684563	LG Electronics Inc.	21/09/2018	3684563	18859227.3	
3685187	Essity Hygiene and Health Aktiebolag	20/09/2017	3685187	17781020.7	
3685519	Qualcomm Incorporated	31/08/2018	3685519	18778692.6	
3685845	Laimu Corporation	15/06/2018	3685845	18858549.1	
3686147	Otis Elevator Company	23/01/2019	3686147	19153267.0	
3686164	Okamoto Glass Co., Ltd.	04/02/2019	3686164	19788940.5	
3686918	Atonarp Inc.	17/11/2016	3686918	20163789.9	
3686946	Samsung Electronics Co., Ltd.	03/01/2020	3686946	20150214.3	
3687297	S.B. Impianti S.r.l.	11/09/2018	3687297	18783572.3	
3687480	L'OREAL	27/09/2018	3687480	18778483.0	
3687543	Enanta Pharmaceuticals, Inc.	28/09/2018	3687543	18862419.1	
3687805	HEWLETT-PACKARD DEVELOPMENT COMPANY, L.P.	13/07/2018	3687805	18749233.5	
3687960	Carboclave Corp.	26/09/2018	3687960	18860881.4	
3688182	BD Kiestra B.V.	27/09/2018	3688182	18782365.3	
3688201	Norse Biotech AS	24/09/2018	3688201	18915789.4	
3688417	Micro-Epsilon Messtechnik GmbH & Co. KG	26/09/2018	3688417	18792374.3	German
3688564	Rosemount Inc.	20/09/2018	3688564	18857771.2	
3688910	Sony Group Corporation	01/10/2018	3688910	18782942.9	
3689121	Amazonen-Werke H. Dreyer SE & Co. KG	17/12/2019	3689121	19401054.2	German
3689392	Fresenius Medical Care Deutschland GmbH	15/04/2010	3689392	20157600.6	German
3690126	LG Electronics Inc.	16/01/2020	3690126	20152173.9	
3690601	Samsung Display Co., Ltd.	31/01/2020	3690601	20154775.9	

(10/04/2024)

Journal of the Intellectual Property Office of Ireland

(No. 2513)

3690875	Spotify AB	12/04/2018	3690875	20165140.3	
3691254	LG Electronics Inc.	26/09/2017	3691254	17927150.7	
3691906	Ricoh Company, Ltd.	03/10/2018	3691906	18792553.2	
3692681	BTQ AG	08/10/2018	3692681	18800260.4	
3693262	SKF Marine GmbH	28/01/2020	3693262	20154090.3	German
3694176	AO Kaspersky Lab	30/01/2020	3694176	20154645.4	
3694207	Fraunhofer-Gesellschaft zur Förderung der angewandten Forschung e.V.	09/05/2017	3694207	20167218.5	German
3694373	L'OREAL	17/09/2018	3694373	18765920.6	
3694490	Abcombi Biosciences Inc. The Research Foundation for The State University of New York	12/10/2018	3694490	18867025.1	
3695040	Owens Corning Intellectual Capital, LLC	09/10/2018	3695040	18865465.1	
3695312	Vertiv IT Systems, Inc.	25/06/2018	3695312	18866618.4	
3695422	Westinghouse Electric Company Llc	13/09/2018	3695422	18870192.4	
3695493	Clearwater Holdings, Ltd.	29/10/2018	3695493	18869564.7	
3695691	ZKW Group GmbH	08/10/2018	3695691	18786659.5	German
3696879	LG Energy Solution, Ltd.	05/12/2018	3696879	18884920.2	
3697203	Blue Economy Systems B.V.	18/10/2018	3697203	18812356.6	
3697676	SAF-Holland, Inc.	19/10/2018	3697676	18869435.0	
3698520	Drivenets Ltd.	15/10/2018	3698520	18869311.3	
3699998	LG Energy Solution, Ltd.	07/06/2019	3699998	19814254.9	
3700452	E-A Teknoloji Biyomedikal Cihazlar Dijital Ve Optik Sistemler Nanoteknoloji AR-GE ITH. IHR. Taah. San. Ve Tic. Ltd. Sti. Vamet Medikal Saglik Urunleri Ve Hizmetleri Akaryakit Enerji Madencilik Gida Elektronik Sanayi Ve Ticaret Limited Sirketi	21/09/2018	3700452	18859923.7	
3700830	Unilever Global IP Limited	23/10/2018	3700830	18786826.0	
3701240	Bombardier Inc.	19/10/2018	3701240	18871539.5	
3701257	Westinghouse Electric Company Llc	14/08/2018	3701257	18870759.0	
3702213	Koito Manufacturing Co., Ltd.	25/10/2018	3702213	18871342.4	
3703329	New H3C Security Technologies Co., Ltd.	24/10/2018	3703329	18871133.7	

(10/04/2024)

Journal of the Intellectual Property Office of Ireland

(No. 2513)

3703905	Rud. Starcke GmbH & Co. KG	22/01/2019	3703905	19701341.0	German
3704198	Fraunhofer-Gesellschaft zur Förderung der angewandten Forschung e.V.	02/11/2018	3704198	18799699.6	German
3704262	Georgia Tech Research Corporation	30/10/2018	3704262	18801238.9	
3705379	JTEKT CORPORATION	23/10/2018	3705379	18873724.1	
3705594	Baoshan Iron & Steel Co., Ltd.	28/08/2018	3705594	18850495.5	
3706291	Valeo eAutomotive Germany GmbH	28/02/2020	3706291	20160182.0	German
3707462	Bae Systems Bofors AB	26/09/2018	3707462	18779821.0	
3707590	VusionGroup GmbH	10/11/2017	3707590	17803835.2	
3707614	Huawei Technologies Co., Ltd.	21/11/2018	3707614	18883437.8	
3707635	Microsoft Technology Licensing, LLC	31/10/2018	3707635	18804470.5	
3710074	ConvaTec Limited	16/11/2018	3710074	18830512.2	
3710731	Scania CV AB	28/01/2019	3710731	19751665.1	
3711083	Luxium Solutions, LLC	07/11/2018	3711083	18876645.5	
3712079	Weber Food Technology GmbH	05/10/2018	3712079	20174819.1	German
3712279	Genfit	14/09/2016	3712279	20169118.5	
3712553	Thorlabs, Inc. Praevium Research, Inc.	14/09/2016	3712553	20169880.0	
3712644	Kabushiki Kaisha Toshiba Toshiba Electronic Devices & Storage Corporation	05/09/2019	3712644	19195604.4	
3713018	Rosenberger Hochfrequenztechnik GmbH & Co. KG	20/03/2019	3713018	19164091.1	German
3713698	Siemens Energy Global GmbH & Co. KG	22/01/2019	3713698	19704201.3	German
3714240	Mettler Toledo Precision Instrument Company Limited Mettler Toledo Measurement Technology Company Limited Mettler-Toledo International Trading (Shanghai) Co. Ltd.	29/06/2018	3714240	18851443.4	
3715609	Nissan Motor Co., Ltd. NEW H POWERTRAIN HOLDING, S.L.U.	22/11/2017	3715609	17932606.1	
3715841	Hamilton Sundstrand Corporation	13/12/2019	3715841	19216200.6	
3715860	ROSEMOUNT AEROSPACE INC.	11/12/2019	3715860	19215206.4	

(10/04/2024)

Journal of the Intellectual Property Office of Ireland

(No. 2513)

3715943	Beijing Xiaomi Mobile Software Co., Ltd.	31/10/2019	3715943	19206411.1	
3715984	ABB Schweiz AG	28/03/2019	3715984	19165874.9	
3716214	Canon Medical Systems Corporation	17/03/2020	3716214	20163504.2	
3716773	Société des Produits Nestlé S.A.	27/11/2018	3716773	18811008.4	
3716778	Unilever IP Holdings B.V.	26/11/2018	3716778	18811002.7	
3716984	Glycom A/S	30/11/2018	3716984	18883241.4	
3717564	Westlake Vinnolit GmbH & Co. KG	26/11/2018	3717564	18804642.9	German
3718382	LPW Technology Ltd	26/11/2018	3718382	18830927.2	
3718443	Guangdong Midea Consumer Electrics Manufacturing Co. Ltd.	07/08/2018	3718443	18908785.1	
3718606	Hamilton Sundstrand Corporation	25/11/2019	3718606	19211141.7	
3718781	HID Global Ireland Teoranta	02/04/2019	3718781	19166899.5	
3718808	Kubota Corporation	26/03/2020	3718808	20165759.0	
3718979	Owens-Brockway Glass Container Inc.	03/10/2013	3718979	20164193.3	
3719153	Proterial, Ltd.	29/11/2018	3719153	18883639.9	
3719558	Hamamatsu Photonics K.K.	26/11/2018	3719558	18882484.1	
3720032	HUAWEI TECHNOLOGIES CO., LTD.	02/11/2018	3720032	18897501.5	
3720189	Huawei Technologies Co., Ltd.	07/08/2018	3720189	18894023.3	
3720325	Société des Produits Nestlé S.A.	05/12/2018	3720325	18811836.8	
3720553	Ellex Medical PTY Ltd	04/12/2018	3720553	18885425.1	
3721054	Solution Seeker AS	10/12/2018	3721054	18819079.7	
3721815	Ethicon Endo-Surgery, Inc.	25/09/2015	3721815	20177690.3	
3722814	Otsuka Pharmaceutical Co., Ltd.	07/11/2016	3722814	20177344.7	
3723417	Nokia Technologies Oy	25/09/2012	3723417	20177399.1	
3723503	Société des Produits Nestlé S.A.	04/12/2018	3723503	18814861.3	
3724273	University of Guelph	14/12/2018	3724273	18888823.4	
3724706	Phoenix Contact GmbH & Co. KG	11/12/2018	3724706	18825599.6	German
3726113	STMicroelectronics S.r.l.	15/04/2020	3726113	20169706.7	
3726118	FMC Technologies Do Brasil LTDA	15/12/2017	3726118	17934828.9	
3726573	Fuji Polymer Industries Co., Ltd.	02/10/2019	3726573	19906601.0	
3727912	Audi AG	06/11/2018	3727912	18800574.8	German
3728092	Reel Power Licensing Corp.	19/12/2018	3728092	18890184.7	
3728114	CPPE Carbon Process & Plant Engineering S.A.	28/09/2018	3728114	18782921.3	
3729086	PAUL SCHERRER INSTITUT	12/12/2018	3729086	18830166.7	

(10/04/2024)

Journal of the Intellectual Property Office of Ireland

(No. 2513)

3729787	Telecom Italia S.p.A.	17/12/2018	3729787	18815756.4	
3729795	NSF Telecom AB	21/12/2018	3729795	18839678.2	
3730137	ONO PHARMACEUTICAL CO., LTD.	20/12/2018	3730137	18891086.3	
3730774	Yanmar Power Technology Co., Ltd.	20/11/2018	3730774	18891070.7	
3731198	Minimax Viking Research & Development GmbH	24/04/2019	3731198	19170746.2	German
3733340	Regusewicz, Franz	24/04/2020	3733340	20171390.6	German
3733889	POSCO Co., Ltd	21/12/2018	3733889	18897055.2	
3733986	Geberit International AG	22/02/2018	3733986	20180537.1	German
3734070	Eagle Industry Co., Ltd.	26/12/2018	3734070	18897846.4	
3734738	LG Energy Solution, Ltd.	27/09/2019	3734738	19865995.5	
3736376	HYPERION B.V.	07/05/2020	3736376	20173480.3	German
3736504	Ningbo Aux Electric Co., Ltd. Aux Air Conditioner Co., Ltd	29/12/2018	3736504	18897880.3	
3737109	Getac Holdings Corporation	08/05/2019	3737109	19173251.0	
3737429	Covestro Deutschland AG	08/01/2019	3737429	19700111.8	German
3737892	ELBI International S.p.A.	10/01/2019	3737892	19701146.3	
3738424	Kubota Corporation	14/05/2020	3738424	20174800.1	
3738532	OV Medi Co., Ltd.	17/10/2018	3738532	18900383.3	
3738910	SIDEL PACKING SOLUTIONS	14/05/2020	3738910	20174803.5	French
3739081	NIPPON STEEL CORPORATION	08/01/2019	3739081	19738575.0	
3739559	Ratier-Figeac SAS	13/05/2019	3739559	19305612.4	
3739788	FUJITSU LIMITED	11/01/2018	3739788	18899377.8	
3739826	HUAWEI TECHNOLOGIES CO., LTD.	09/03/2019	3739826	19802629.6	
3739945	Sharp Kabushiki Kaisha FG INNOVATION COMPANY LIMITED	11/01/2019	3739945	19738182.5	
3740328	J.H Fletcher & Co.	16/01/2019	3740328	19741289.3	
3740531	ExxonMobil Chemical Patents Inc.	07/12/2018	3740531	18829619.8	
3740750	BP Corporation North America Inc.	17/01/2019	3740750	19741253.9	
3741249	Valigeria Roncato S.p.A.	14/05/2020	3741249	20174778.9	
3741308	Ethicon LLC	31/05/2013	3741308	20172896.1	

3741416	L'Air Liquide, Société Anonyme pour l'Etude et l'Exploitation des Procédés Georges Claude Air Liquide Medical Systems	23/05/2019	3741416	19176119.6	
3741455	Westlake Longview Corporation	25/11/2013	3741455	20186370.1	
3741839	Go!Foton, Inc.	11/01/2019	3741839	19738743.4	
3742069	Carrier Corporation	21/05/2019	3742069	19175785.5	
3742514	VARTA Microbattery GmbH	20/05/2019	3742514	19175460.5	German
3742537	LG Energy Solution, Ltd.	20/09/2018	3742537	20185671.3	
3742690	Huawei Technologies Co., Ltd.	17/05/2019	3742690	19826507.6	
3742725	Sumitomo Heavy Industries, Ltd.	25/11/2016	3742725	20176296.0	
3743169	Tyco Fire Products LP	22/01/2019	3743169	19703619.7	
3743743	Shenzhen Xpectvision Technology Co., Ltd.	24/01/2018	3743743	18902622.2	
3743935	Hitachi Energy Ltd	22/01/2019	3743935	19707460.2	
3744650	Weber Food Technology GmbH	05/10/2018	3744650	20176928.8	German
3745096	Kyocera Corporation	25/01/2019	3745096	19744057.1	
3745490	VARTA Microbattery GmbH	28/05/2019	3745490	19176897.7	German
3746057	Olatec Therapeutics, Inc.	31/01/2019	3746057	19746676.6	
3746685	Protechna S.A.	14/12/2018	3746685	18833405.6	German
3747791	Pasini Pier Maurizio S.r.l.	01/06/2020	3747791	20177643.2	
3747840	AGC INC.	30/01/2019	3747840	19746635.2	
3748230	ELECTROLUX APPLIANCES AKTIEBOLAG	03/06/2019	3748230	19177836.4	
3748325	TE Connectivity Solutions GmbH Measurement Specialties, Inc.	01/06/2020	3748325	20177653.1	
3748759	LG Energy Solution, Ltd.	26/07/2019	3748759	19849167.2	
3750235	Würth Elektronik eiSos GmbH & Co. KG	09/01/2019	3750235	19700276.9	German
3750266	QUALCOMM Incorporated	05/02/2019	3750266	19706840.6	
3750618	CTP Chemisch Thermische Prozesstechnik GmbH	12/06/2019	3750618	19179670.5	German
3752662	ABO-HASHEMA, Khaled A. H.	09/07/2018	3752662	18755501.6	
3753035	Siemens Aktiengesellschaft	04/04/2018	3753035	18716988.3	German
3753112	QUALCOMM Incorporated	14/02/2019	3753112	19754019.8	
3753524	AURA Health Technologies GmbH	20/06/2019	3753524	19181557.0	
3753909	Tungshu Group Co., Ltd.	27/11/2018	3753909	18905497.6	

*(10/04/2024)**Journal of the Intellectual Property Office of Ireland**(No. 2513)*

3753938	Innate Tumor Immunity, Inc.	16/02/2018	3753938	20169634.1
3754816	Panasonic Intellectual Property Management Co., Ltd.	25/01/2019	3754816	19753682.4
3755041	Vivo Mobile Communication Co., Ltd.	22/01/2019	3755041	19754249.1
3755257	Verb Surgical Inc.	26/02/2018	3755257	18907327.3
3755877	Petróleo Brasileiro S.A. - Petrobras	19/02/2019	3755877	19707097.2
3756125	Mastercard International Incorporated	20/02/2019	3756125	19758160.6
3756277	Wiliot, Ltd.	20/03/2019	3756277	19810856.5
3757009	Airbus Operations GmbH	30/04/2020	3757009	20172391.3
3757345	Welltec A/S	07/12/2016	3757345	20191937.0
3757761	INTEL Corporation	25/03/2020	3757761	20165699.8
3760126	GE Precision Healthcare LLC	19/06/2020	3760126	20181282.3
3760127	Shanghai United Imaging Healthcare Co., Ltd.	25/09/2018	3760127	20189492.0
3760269	Poly Medicure Limited	07/05/2010	3760269	20190213.7
3760368	ASTES4 SA	26/06/2020	3760368	20182412.5
3760385	Valentini, Guido	01/07/2019	3760385	19183644.4
3760751	SUMITOMO ELECTRIC INDUSTRIES, LTD.	09/01/2019	3760751	19761029.8
3762739	Microsoft Technology Licensing, LLC	27/03/2019	3762739	19717041.8
3763790	The Boeing Company	09/07/2020	3763790	20185030.2
3764186	Amicro Semiconductor Co., Ltd.	03/01/2019	3764186	18909108.5
3764440	LG Energy Solution, Ltd.	10/09/2019	3764440	19863939.5
3765088	Poviva Corp.	14/03/2019	3765088	19767230.6
3766623	Sumitomo Heavy Industries, Ltd.	08/03/2019	3766623	19767064.9
3766777	Gulfstream Aerospace Corporation	09/07/2020	3766777	20184861.1
3767006	Picosun Oy	17/07/2020	3767006	20186355.2
3767083	HYUNDAI MOTOR COMPANY Kia Corporation	04/12/2019	3767083	19213651.3
3767900	Huawei Technologies Co., Ltd.	12/04/2019	3767900	19785827.7
3768176	NeoChord, Inc.	25/03/2019	3768176	19772345.5
3768458	Illinois Tool Works, Inc.	22/03/2019	3768458	19715740.7
3769156	Merck Patent GmbH	20/03/2019	3769156	19712966.1
3769447	HUAWEI TECHNOLOGIES CO., LTD.	27/03/2018	3769447	18715006.5
3770285	NIPPON STEEL CORPORATION	26/02/2019	3770285	19772207.7
3770368	Cyber Top Trading Limited	02/07/2019	3770368	19830896.7

(10/04/2024)

Journal of the Intellectual Property Office of Ireland

(No. 2513)

3771518	C. & E. Fein GmbH	14/07/2020	3771518	20185747.1	German
3771552	Nidek Co., Ltd.	29/07/2020	3771552	20188372.5	
3771709	Farmington Pharma Development	22/12/2015	3771709	20184803.3	
3772035	NXP USA, Inc.	09/07/2020	3772035	20185051.8	
3772177	NXP USA, Inc.	08/07/2020	3772177	20184679.7	
3772207	ISS IP Holding LLC	01/08/2019	3772207	19189655.4	
3772560	KP1	07/08/2020	3772560	20189978.8	French
3772615	Ansaldo Energia Switzerland AG	08/08/2019	3772615	19190692.4	
3773134	ENDOSOUND, INC.	12/04/2019	3773134	19721925.6	
3773328	Bioaesthetics Corporation	02/04/2019	3773328	19781243.1	
3773817	Patients Pending Ltd.	18/12/2018	3773817	18840069.1	
3774669	ABB Schweiz AG	12/04/2019	3774669	19717882.5	
3775111	Dow Global Technologies, LLC Rohm and Haas Company	25/03/2019	3775111	19718505.1	
3776742	Wago Verwaltungsgesellschaft mbH	28/03/2019	3776742	19714617.8	German
3777551	AJINOMOTO CO., INC.	28/03/2019	3777551	19775469.0	
3777691	FUJIFILM Corporation	12/08/2020	3777691	20190788.8	
3778161	Escor Processos, Lda	02/04/2019	3778161	19722933.9	
3778444	Daifuku Co., Ltd.	15/04/2019	3778444	19793028.2	
3779310	Gree Electric Appliances, Inc. of Zhuhai	12/12/2018	3779310	18914181.5	
3779531	Tokuyama Corporation	08/04/2019	3779531	19785020.9	
3779576	Sumitomo Osaka Cement Co., Ltd.	24/01/2019	3779576	19776550.6	
3779615	Omron Corporation	27/03/2019	3779615	19784777.5	
3779708	HUAWEI TECHNOLOGIES CO., LTD.	06/04/2019	3779708	19822954.4	
3780376	Christian-Albrechts-Universität zu Kiel	13/08/2019	3780376	19191475.3	
3781113	West Pharma Services IL, Ltd.	13/01/2020	3781113	20703553.6	
3781119	Unilever Global IP Limited	12/04/2019	3781119	19718141.5	
3781132	Pfizer Inc. Bristol-Myers Squibb Company	15/04/2019	3781132	19722333.2	
3781241	SOCOPRA SCIENCES ET GENIE S.E.C Institut National de la Santé et de la Recherche Médicale Université Paris Est Créteil Val de Marne Ecole Nationale Vétérinaire D'Alfort	12/04/2019	3781241	19789212.8	

(10/04/2024)

Journal of the Intellectual Property Office of Ireland

(No. 2513)

3781256	Medtronic, Inc.	19/04/2019	3781256	19722394.4	
3781510	Konecranes Global Corporation	17/04/2019	3781510	19719235.4	
3781955	Schneider Electric USA, Inc.	06/06/2019	3781955	19734198.5	
3781957	Lexmark International, Inc.	16/04/2019	3781957	19789107.0	
3782003	Nelson Irrigation Corporation	17/04/2019	3782003	19788042.0	
3782058	Gupta, Vishal	19/04/2019	3782058	19787660.0	
3782443	Horsch Maschinen GmbH	16/07/2020	3782443	20186154.9	German
3782502	Toughbuilt Industries, Inc.	05/08/2020	3782502	20020356.0	
3782634	Givaudan SA	11/11/2014	3782634	20199906.7	
3783141	Qingdao Haier Drum Washing Machine Co., Ltd. Haier Smart Home Co., Ltd.	11/04/2019	3783141	19788236.8	
3783178	Athmer OHG	11/12/2020	3783178	20213516.6	German
3783454	SZ DJI Technology Co., Ltd.	26/02/2016	3783454	20200524.5	
3783998	BlackBerry Limited	14/08/2014	3783998	20200347.1	
3784168	Boston Scientific Scimed, Inc.	26/04/2019	3784168	19730995.8	
3784843	InterDam Holding B.V.	23/04/2019	3784843	19726197.7	
3785074	View, Inc.	17/04/2019	3785074	19721938.9	
3785456	Soracom, Inc.	01/07/2019	3785456	19735419.4	
3785956	MAZDA MOTOR CORPORATION	12/08/2020	3785956	20190702.9	
3787005	Thermo Finnigan LLC	25/08/2020	3787005	20192743.1	
3787327	HUAWEI TECHNOLOGIES CO., LTD.	13/05/2019	3787327	19799216.7	
3787328	Brother Kogyo Kabushiki Kaisha	27/08/2020	3787328	20193059.1	
3787565	Elastimed Ltd.	01/05/2019	3787565	19795931.5	
3788297	Marelli Automotive Lighting Reutlingen (Germany) GmbH	02/05/2019	3788297	19723707.6	German
3788409	TGS-NOPEC Geophysical Company	01/05/2019	3788409	19723996.5	
3788459	Microsoft Technology Licensing, LLC	22/04/2019	3788459	19724646.5	
3788676	Robin Radar Facilities BV	25/04/2019	3788676	19719867.4	
3789761	Fundación Imdea Nanociencia	05/09/2019	3789761	19382761.5	
3790080	Contemporary Amperex Technology Co., Limited	26/11/2019	3790080	19907601.9	
3790525	Bristol-Myers Squibb Company	10/05/2019	3790525	19726835.2	
3791599	Pluto Inc.	07/05/2019	3791599	19798921.3	
3792380	Teijin Limited	09/05/2019	3792380	19800800.5	
3792553	Calisalvo Duran, Luis	07/05/2018	3792553	18745993.8	

(10/04/2024)

Journal of the Intellectual Property Office of Ireland

(No. 2513)

3792561	Mitsubishi Electric Corporation	08/05/2018	3792561	18918017.7	
3792587	SuessCo Sensors GmbH	21/08/2020	3792587	20192202.8	German
3792601	Sankyo Seisakusho Co.	25/04/2019	3792601	19800161.2	
3793704	Chevron Phillips Chemical Company LP	08/05/2019	3793704	19726250.4	
3793713	Des-Case Corporation	15/05/2018	3793713	18918461.7	
3794362	Tarsacci, LLC	10/05/2019	3794362	19803062.9	
3794814	Samsung Electronics Co., Ltd.	05/07/2019	3794814	19830787.8	
3795170	Olives Biotherapeutics Inc.	16/05/2019	3795170	19802765.8	
3795579	Hunan Nutramax Inc.	24/12/2018	3795579	18932609.3	
3795702	JFE Steel Corporation	03/04/2019	3795702	19804356.4	
3795787	Knorr-Bremse Gesellschaft mit beschränkter Haftung	20/09/2019	3795787	19198508.4	German
3795883	"DURABLE" HUNKE & JOCHHEIM GMBH & CO. KOMMANDITGESELLSCHAFT	03/09/2020	3795883	20194278.6	German
3796500	Contemporary Ampere Technology Co., Limited	23/12/2019	3796500	19904375.3	
3796843	Siemens Medical Solutions USA, Inc.	27/03/2019	3796843	19716729.9	
3797034	Novelis Koblenz GmbH	15/05/2019	3797034	19723133.5	
3797568	Kubota Corporation	18/06/2020	3797568	20180715.3	
3798590	Kyocera Corporation	09/05/2019	3798590	19806907.2	
3798796	Netatmo	25/09/2019	3798796	19306197.5	
3798875	Apricorn	23/09/2020	3798875	20197827.7	
3799590	Anadolu Universitesi	18/01/2019	3799590	19834326.1	
3800259	BASF Agricultural Solutions Seed US LLC	08/12/2014	3800259	20202357.8	
3800269	Abbott Rapid Diagnostics Jena GmbH	23/02/2015	3800269	20204162.0	
3800771	HUAWEI TECHNOLOGIES CO., LTD.	22/06/2018	3800771	18923316.6	
3800782	AISIN CORPORATION	30/08/2019	3800782	19853386.1	
3801736	General Electric Company	23/05/2019	3801736	19731039.4	
3802491	Fondazione Istituto Italiano di Tecnologia Politecnico di Milano	31/05/2019	3802491	19733876.7	
3803653	Apple Inc.	29/05/2019	3803653	19731837.1	

*(10/04/2024)**Journal of the Intellectual Property Office of Ireland**(No. 2513)*

3803830	VOLKSWAGEN AKTIENGESELLSCHAFT	15/05/2019	3803830	19727301.4	German
3803964	Plasma-Therm, LLC	27/03/2019	3803964	19722716.8	
3803972	Advanced Micro Devices, Inc.	29/03/2019	3803972	19810608.0	
3804086	Moteurs Leroy-Somer	17/05/2019	3804086	19723821.5	French
3805054	Autoliv Development AB	09/10/2020	3805054	20201177.1	German
3806179	VARTA Microbattery GmbH	10/10/2019	3806179	19202405.7	German
3806269	mitsubishi heavy industries, LTD.	26/02/2019	3806269	19815170.6	
3806734	Zedsen Limited	25/05/2019	3806734	19734130.8	
3806994	Process Technology Strategic Consultancy Limited	12/06/2019	3806994	19736780.8	
3807202	KONE Corporation	15/06/2018	3807202	18736970.7	
3808133	Nokia Technologies Oy	13/06/2018	3808133	18732710.1	
3808557	NIPPON STEEL CORPORATION	14/06/2019	3808557	19818808.8	
3808686	Tyrolon-Schulnig GmbH	15/10/2019	3808686	19203246.4	German
3808868	Formosa Taffeta Co.,Ltd.	16/10/2020	3808868	20202283.6	
3809047	Naber Holding GmbH & Co. KG	25/06/2020	3809047	20182294.7	German
3809168	ESSILOR INTERNATIONAL	21/04/2020	3809168	20315202.0	
3809630	HUAWEI TECHNOLOGIES CO., LTD.	27/08/2018	3809630	18932118.5	
3809644	Huawei Technologies Co., Ltd.	12/10/2018	3809644	18927396.4	
3809654	Volkswagen AG	14/10/2019	3809654	19202971.8	
3811180	INTEL Corporation	10/04/2019	3811180	19822419.8	
3811671	Samsung Electronics Co., Ltd.	07/08/2019	3811671	19848181.4	
3811733	BSH Hausgeräte GmbH	24/05/2019	3811733	19732131.8	German
3811739	Building Robotics, Inc.	23/09/2019	3811739	19783784.2	
3812283	Goodrich Lighting Systems GmbH & Co. KG	22/10/2019	3812283	19204623.3	
3812491	Saurer Spinning Solutions GmbH & Co. KG	20/10/2020	3812491	20202675.3	German
3814341	DIZAL (JIANGSU) PHARMACEUTICAL CO., LTD.	08/05/2019	3814341	19800509.2	
3814346	Bayer Aktiengesellschaft	19/06/2019	3814346	19731730.8	German
3814760	Drilliant Ltd.	27/06/2019	3814760	19826886.4	
3814856	Siemens Aktiengesellschaft	10/07/2019	3814856	19746013.2	German
3815433	Telit Cinterion Deutschland GmbH	24/06/2019	3815433	19732662.2	

(10/04/2024)

Journal of the Intellectual Property Office of Ireland

(No. 2513)

3815527	Deere & Company	25/09/2020	3815527	20198470.5	
3815666	Samsung Electronics Co., Ltd.	03/11/2020	3815666	20205507.5	
3816387	Kehrer Stebler AG Metallbau	29/10/2019	3816387	19206048.1	German
3817121	Samsung SDI Co., Ltd. POSTECH Research and Business Development Foundation	29/10/2020	3817121	20204710.6	
3817209	Hangzhou Canaan Intelligence Information Technology Co, Ltd Canaan Creative Co., Ltd.	17/06/2019	3817209	19826421.0	
3817285	HUAWEI TECHNOLOGIES CO., LTD.	07/05/2019	3817285	19806402.4	
3817511	ZKW Group GmbH	29/10/2019	3817511	19205906.1	German
3818445	Atera Networks Ltd.	02/07/2019	3818445	19831206.8	
3818653	QUALCOMM Incorporated	28/06/2019	3818653	19745831.8	
3819205	FURUNO ELECTRIC CO., LTD.	04/06/2019	3819205	19831451.0	
3819389	Quest Diagnostics Investments LLC	05/02/2016	3819389	20200749.8	
3819412	Guangdong Wuyuan New Material Technology Group Co., Ltd.	29/05/2020	3819412	20814070.7	
3819616	Beamex Oy Ab	26/10/2020	3819616	20203751.1	
3820007	Valeo Powertrain (Shanghai) Co., Ltd.	05/11/2020	3820007	20205953.1	
3820859	Alkermes, Inc.	12/07/2019	3820859	19746301.1	
3821054	Novelis, Inc.	11/11/2019	3821054	19836144.6	
3821330	Samsung Electronics Co., Ltd.	26/08/2019	3821330	19853498.4	
3821392	InterDigital VC Holdings, Inc.	01/05/2019	3821392	19722998.2	
3821393	Dental Monitoring	10/07/2019	3821393	19736740.2	French
3821679	TELEFONAKTIEBOLAGET LM ERICSSON (PUBL)	07/09/2018	3821679	18762541.3	
3821915	Milliken & Company	20/05/2019	3821915	21151105.0	
3821925	KAISHA PACKAGING Private Ltd.	18/09/2019	3821925	19198135.6	
3822054	Flooring Technologies Ltd.	12/11/2019	3822054	19208677.5	German
3822139	HYUNDAI MOTOR COMPANY Kia Corporation	16/09/2020	3822139	20196441.8	
3822176	CT Ingenierie	10/11/2020	3822176	20206802.9	French
3822221	TADANO LTD.	04/07/2019	3822221	19833325.4	
3822453	RTX Corporation	12/11/2020	3822453	20207145.2	
3822540	Commissariat à l'Energie Atomique et aux Energies Alternatives	12/11/2020	3822540	20207314.4	French

*(10/04/2024)**Journal of the Intellectual Property Office of Ireland**(No. 2513)*

3823937	Saint-Gobain Glass France	17/07/2019	3823937	19761913.3	French
3825215	Fox Factory, Inc.	25/04/2013	3825215	20203660.4	
3825296	Rolls-Royce High Temperature Composites Inc	09/11/2020	3825296	20206401.0	
3825322	Chengdu Sintanovo Biotechnology Co., Ltd	09/11/2020	3825322	20206521.5	
3825631	Whirlpool Corporation	07/10/2020	3825631	20200609.4	
3825665	A·P·E Angewandte Physik & Elektronik GmbH	20/11/2020	3825665	20208875.3	German
3825803	UATC, LLC	22/06/2018	3825803	20217689.7	
3826249	National Institute of Information and Communications Technology Tokyo University of Science Foundation	16/07/2019	3826249	19838455.4	
3826268	ZTE Corporation	23/07/2019	3826268	19841723.0	
3826378	Samsung Electronics Co., Ltd.	05/04/2012	3826378	20202919.5	
3826383	Telefonaktiebolaget LM Ericsson (publ)	28/03/2017	3826383	20195617.4	
3827216	QUALCOMM INCORPORATED	20/06/2019	3827216	19737376.4	
3827468	Apple Inc.	06/09/2019	3827468	19772952.8	
3827948	Yamabiko Corporation	11/11/2020	3827948	20206971.2	
3828018	Commissariat à l'Energie Atomique et aux Energies Alternatives	26/11/2020	3828018	20210006.1	French
3828295	POSCO Co., Ltd	15/07/2019	3828295	19841614.1	
3828512	Kamstrup A/S	04/07/2016	3828512	21152897.1	
3828699	Omron Corporation	13/10/2020	3828699	20201466.8	
3828898	Commissariat à l'énergie atomique et aux énergies alternatives	20/11/2020	3828898	20208985.0	French
3829528	Unilever Global IP Limited	10/07/2019	3829528	19736734.5	
3830242	Leavitt Medical, Inc.	26/07/2019	3830242	19843717.0	
3830465	Videndum Media Solutions S.p.A.	26/07/2019	3830465	19759751.1	
3830612	ExxonMobil Technology and Engineering Company	17/07/2019	3830612	19749068.3	
3830649	Montres Breguet S.A.	24/07/2019	3830649	19744698.2	French
3830983	TELEFONAKTIEBOLAGET LM ERICSSON (PUBL)	31/07/2018	3830983	18749356.4	
3831153	Samsung Electronics Co., Ltd.	23/09/2019	3831153	19864722.4	
3831299	i-Sens, Inc.	07/06/2019	3831299	19844849.0	

*(10/04/2024)**Journal of the Intellectual Property Office of Ireland**(No. 2513)*

3831416	The Boeing Company	13/11/2020	3831416	20207566.9	
3831588	Harburg-Freudenberger Maschinenbau GmbH	01/09/2020	3831588	20193787.7	German
3832031	Hitachi Construction Machinery Co., Ltd.	12/12/2019	3832031	19920521.2	
3832152	Zhou, Feng	17/12/2018	3832152	18900570.5	
3832323	NXP B.V.	04/12/2019	3832323	19213540.8	
3832442	Samsung Display Co., Ltd.	21/09/2018	3832442	18928326.0	
3833161	Newsight Imaging ZKW Group GmbH	06/12/2019	3833161	19214113.3	German
3833945	Thermo Electron Scientific Instruments LLC	25/07/2019	3833945	19750016.8	
3834099	ORACLE INTERNATIONAL CORPORATION	13/05/2019	3834099	19727791.6	
3834582	Telefonaktiebolaget LM Ericsson (publ)	09/08/2019	3834582	19753321.9	
3834635	KT & G Corporation	23/09/2020	3834635	20851271.5	
3834875	Cook Medical Technologies LLC	11/12/2019	3834875	21155838.2	
3835146	Rosemount Aerospace Inc.	08/12/2020	3835146	20212482.2	
3835200	Airbus Defence and Space GmbH	09/12/2020	3835200	20212918.5	German
3835310	Bristol-Myers Squibb Company	12/09/2013	3835310	20206702.1	
3835549	Ningbo III Lasers Technology Co., Ltd Ningbo Institute of Materials Technology and Engineering, Chinese Academy of Sciences	28/12/2018	3835549	18929083.6	
3835603	MHT Patentverwertungs-, Beteiligungs- und Verwaltungs GmbH	19/11/2020	3835603	20208568.4	German
3835737	F. Hoffmann-La Roche AG	10/12/2019	3835737	19214877.3	
3836170	TE Connectivity Austria GmbH	11/12/2019	3836170	19215307.0	
3836575	Haltian Oy	11/12/2019	3836575	19215276.7	
3836836	Meta Platforms Technologies, LLC	13/08/2019	3836836	19850130.6	
3837626	Citrix Systems, Inc.	26/07/2019	3837626	19753225.2	
3837712	Varian Semiconductor Equipment Associates, Inc.	23/07/2019	3837712	19849081.5	
3837891	Sony Group Corporation	29/10/2019	3837891	19794157.8	
3837892	Samsung Electronics Co., Ltd.	16/09/2019	3837892	19862954.5	
3837969	LG Electronics, Inc.	08/12/2020	3837969	20212457.4	

*(10/04/2024)**Journal of the Intellectual Property Office of Ireland**(No. 2513)*

3838649	Huawei Digital Power Technologies Co., Ltd.	24/09/2019	3838649	19908961.6	
3838813	KRONES AG	16/12/2020	3838813	20214716.1	German
3838820	HYOSUNG TNS INC.	28/10/2020	3838820	20204273.5	
3839057	Materion Corporation	13/06/2018	3839057	21154885.4	
3839343	Societe Exploitation Tolerie Emaillerie Nantaise	19/12/2019	3839343	19218073.5	French
3839478	IMEC VZW	20/12/2019	3839478	19218689.8	
3840536	Infineon Technologies Austria AG	17/12/2019	3840536	19217122.1	
3840586	Anheuser-Busch InBev S.A.	23/08/2019	3840586	19758409.7	
3840837	Astrazeneca AB	21/08/2019	3840837	19758683.7	
3841092	Waterstone Pharmaceuticals (Wuhan) Co., Ltd.	22/08/2019	3841092	19851016.6	
3841128	Contipro a.s.	17/08/2019	3841128	19773732.3	
3841627	Mercedes-Benz Group AG	14/08/2019	3841627	19759305.6	German
3841855	Samsung Electronics Co., Ltd.	19/09/2019	3841855	19862125.2	
3842216	MITSUBISHI GAS CHEMICAL COMPANY, INC.	15/08/2019	3842216	19851804.5	
3842253	HID Global CID SAS	23/12/2019	3842253	19219460.3	
3842640	Fuji Electric Co., Ltd.	11/09/2019	3842640	19863099.8	
3842663	Kubota Corporation	10/11/2020	3842663	20206774.0	
3844377	Stellantis Auto SAS	09/07/2019	3844377	19753147.8	French
3844508	Xilinx, Inc.	20/08/2019	3844508	19854863.8	
3844554	HUAWEI TECHNOLOGIES CO., LTD.	11/04/2019	3844554	19856775.2	
3844721	Valeo Comfort and Driving Assistance	06/08/2019	3844721	19755840.6	
3845121	Acer Incorporated National Yang-Ming University	17/04/2020	3845121	20170150.5	
3845144	Ethicon LLC	29/12/2020	3845144	20217647.5	
3845382	Kimberly-Clark Worldwide, Inc.	31/10/2016	3845382	20215217.9	
3845643	CJ Cheiljedang Corporation	09/08/2019	3845643	19873002.0	
3845741	Hamilton Sundstrand Corporation	09/10/2020	3845741	20201047.6	
3845976	The Swatch Group Research and Development Ltd	30/12/2019	3845976	19220037.6	French
3846148	Toyota Jidosha Kabushiki Kaisha	06/01/2021	3846148	21150412.1	
3847793	PayPal, Inc.	05/09/2019	3847793	19856568.1	
3848915	Honeywell International Inc.	09/10/2015	3848915	21153100.9	

*(10/04/2024)**Journal of the Intellectual Property Office of Ireland**(No. 2513)*

3849072	Hitachi, Ltd.	22/03/2019	3849072	19857156.4	
3849182	QUALCOMM Incorporated	07/02/2013	3849182	21152945.8	
3849389	RM Processing B.V.	13/09/2019	3849389	19839695.4	
3849920	L'OREAL	10/09/2019	3849920	19765729.9	
3850317	Hahn-Schickard-Gesellschaft für angewandte Forschung e.V.	13/09/2019	3850317	19768821.1	German
3850349	Mohr And Associates, A Sole Proprietorship	30/08/2019	3850349	19860993.5	
3850828	Samsung Electronics Co., Ltd.	06/05/2020	3850828	20805353.8	
3850934	OMS Investments, Inc.	11/08/2016	3850934	21161458.1	
3851399	LAUREL BANK MACHINES CO., LTD. Laurel Machinery Co., Ltd. Laurel Precision Machines Co., Ltd.	03/09/2019	3851399	19860645.1	
3851798	Micware Co., Ltd.	22/08/2019	3851798	19859320.4	
3851819	YOKOGAWA ELECTRIC CORPORATION	11/09/2019	3851819	19859342.8	
3851826	Aptiv Technologies Limited	15/01/2021	3851826	21151761.0	
3852203	Aptiv Technologies Limited	07/01/2021	3852203	21150468.3	
3852371	ORANGE	25/06/2010	3852371	21154498.6	French
3852401	Sony Group Corporation	05/01/2015	3852401	21160138.0	
3852640	Echosens	16/09/2019	3852640	19768825.2	French
3852925	University of Southampton	16/09/2019	3852925	19772812.4	
3853111	Stellantis Auto SAS	29/08/2019	3853111	19778576.9	French
3853606	Fondazione Istituto Italiano di Tecnologia Universita' degli Studi di Genova	17/09/2019	3853606	19783699.2	
3853830	ZF CV Systems Europe BV	22/08/2019	3853830	19758699.3	German
3854488	Derrick Corporation	01/05/2015	3854488	21157842.2	
3854730	Becton Dickinson Rowa Germany GmbH	24/01/2020	3854730	20153597.8	German
3854731	Becton Dickinson Rowa Germany GmbH	24/01/2020	3854731	20153602.6	German
3854774	LG Chem, Ltd.	30/03/2020	3854774	20782838.5	
3855087	Fybra S.r.l.	15/01/2021	3855087	21000009.7	
3855128	Allegro MicroSystems, LLC	23/01/2017	3855128	21161065.4	
3855865	KDDI Corporation	01/08/2019	3855865	19863729.0	

(10/04/2024)

Journal of the Intellectual Property Office of Ireland

(No. 2513)

3856041	Praxis Holding LLC	27/09/2019	3856041	19864087.2	
3856662	Pickr AS	30/09/2019	3856662	19866298.3	
3858028	Telefonaktiebolaget LM Ericsson (publ)	24/09/2019	3858028	19779189.0	
3858241	Siemens Healthineers AG	30/01/2020	3858241	20154614.0	
3858375	Takeda Pharmaceutical Company Limited	11/06/2012	3858375	20216368.9	
3858668	KOITO MANUFACTURING CO., LTD.	19/09/2019	3858668	19867639.7	
3859248	DAIKIN INDUSTRIES, LTD.	24/09/2019	3859248	19865366.9	
3859361	STMicroelectronics (Shenzhen) R&D Co., Ltd. STMicroelectronics S.r.l.	12/01/2021	3859361	21151081.3	
3859951	LG Magna e-Powertrain Co., Ltd.	10/09/2020	3859951	20195468.2	
3860004	NXP B.V.	08/01/2021	3860004	21150675.3	
3860058	Ciena Corporation	18/01/2021	3860058	21152164.6	
3861083	The Chemours Company FC, LLC	02/10/2019	3861083	19791025.0	
3861632	GKAMANIS, Achilleas GKAMANIS, Georgios	03/10/2019	3861632	19794239.4	
3862342	LG CHEM, LTD.	14/10/2020	3862342	20880345.2	
3862390	Namics Corporation	20/09/2019	3862390	19869319.4	
3862706	LG Electronics Inc.	20/01/2015	3862706	21164655.9	
3862720	ECOLAB USA INC.	12/09/2017	3862720	21164330.9	
3862817	Toshiba TEC Kabushiki Kaisha	27/10/2020	3862817	20204065.5	
3862988	Aichi Steel Corporation	24/09/2019	3862988	19868653.7	
3863399	AB7 Santé	08/10/2019	3863399	19797772.1	French
3863694	Gambro Lundia AB	04/10/2019	3863694	19786916.7	
3863813	Samsung Electronics Co., Ltd.	26/12/2019	3863813	19904904.0	
3863838	Mitsubishi Chemical Advanced Materials NV	10/10/2019	3863838	19813232.6	
3864163	The University of British Columbia	09/10/2019	3864163	19871608.6	
3864267	Scania CV AB	07/10/2019	3864267	19871462.8	
3864651	Dolby Laboratories Licensing Corporation Dolby International AB	07/10/2019	3864651	19794343.4	
3864682	Siemens Energy Global GmbH & Co. KG	21/10/2019	3864682	19801485.4	German
3864731	Sew-Eurodrive GmbH & Co. KG	12/09/2019	3864731	19769988.7	German

*(10/04/2024)**Journal of the Intellectual Property Office of Ireland**(No. 2513)*

3864776	Luxtera LLC	11/10/2019	3864776	19871615.1	
3864816	International Business Machines Corporation	03/10/2019	3864816	19783492.2	
3864954	Negri Srl	20/01/2021	3864954	21152543.1	
3865189	Technogym S.p.A.	11/02/2021	3865189	21156721.9	
3865831	Herbert Saier GmbH	11/02/2021	3865831	21156481.0	German
3865833	Measurement Specialties, Inc. Measurement Specialties (China) Ltd.	12/02/2021	3865833	21156750.8	
3865945	Toshiba Tec Kabushiki Kaisha	25/01/2021	3865945	21153199.1	
3866697	Koninklijke Philips N.V.	16/10/2019	3866697	19790484.0	
3869114	Mitsubishi Electric Corporation	19/10/2018	3869114	18937404.4	
3869195	Astellas Institute for Regenerative Medicine	23/03/2016	3869195	21167900.6	
3869551	Huawei Technologies Co., Ltd.	09/10/2019	3869551	19887188.1	
3869640	Huawei Technologies Co., Ltd.	04/01/2019	3869640	19907942.7	
3869897	MediaTek Singapore Pte. Ltd.	12/02/2021	3869897	21156764.9	
3870097	ORMCO CORPORATION	22/10/2019	3870097	19802389.7	
3870376	Graco Minnesota Inc.	25/10/2019	3870376	19805006.4	
3870408	Advanced Electrical Tools	22/10/2019	3870408	19813079.1	French
3870545	HYDROZONIX, LLC	23/10/2019	3870545	19876215.5	
3871605	Devicor Medical Products, Inc.	26/10/2016	3871605	21168504.5	
3871618	Ethicon LLC	30/11/2017	3871618	21152384.0	
3871680	Eisai R&D Management Co., Ltd.	24/10/2019	3871680	19876529.9	
3871720	BMC Medical Co., Ltd.	24/10/2019	3871720	19877300.4	
3872887	JDI Design & Development G.K.	30/07/2013	3872887	21166599.7	
3872896	LG Energy Solution, Ltd.	11/12/2019	3872896	19896343.1	
3873283	Firstspear Technology Group, LLC	30/10/2019	3873283	19878298.9	
3873886	Dow Global Technologies LLC	23/10/2019	3873886	19802433.3	
3874226	BAE SYSTEMS plc	16/10/2019	3874226	19794207.1	
3874236	Flow-Tronic S.A.	31/10/2019	3874236	19794163.6	
3874283	BS & T Frankfurt am Main GmbH	01/11/2019	3874283	19804643.5	German
3874684	ZTE Corporation	02/11/2018	3874684	18930486.8	
3874774	Telefonaktiebolaget LM Ericsson (publ)	29/08/2019	3874774	19784130.7	
3875239	Mitsubishi Chemical Corporation	07/07/2016	3875239	21171166.8	
3875500	LG CHEM, LTD.	28/10/2019	3875500	19880552.5	
3875517	Toray Industries, Inc.	17/10/2019	3875517	19878986.9	
3876212	OMRON Corporation	19/09/2019	3876212	19879164.2	

(10/04/2024)

Journal of the Intellectual Property Office of Ireland

(No. 2513)

3876331	Huizhou Capchem Chemicals Co., Ltd	10/12/2018	3876331	18938768.1	
3877099	ArcelorMittal	05/11/2019	3877099	19798413.1	
3877374	Nectar Health Sciences Inc.	12/06/2020	3877374	20822282.8	
3877774	Stellantis Auto SAS	16/10/2019	3877774	19806309.1	French
3878132	Samsung Electronics Co., Ltd.	20/11/2020	3878132	20890991.1	
3879358	Deere & Company	25/02/2021	3879358	21159412.2	
3879989	Unilever IP Holdings B.V.	24/10/2019	3879989	19795518.0	
3880656	ImmunoGen, Inc.	11/11/2019	3880656	19816995.5	
3880956	VESTAS WIND SYSTEMS A/S	13/11/2019	3880956	19805130.2	
3881485	Janssen Pharmaceutica NV	16/01/2020	3881485	20702916.6	
3881500	Liveperson, Inc.	14/11/2019	3881500	19831944.4	
3881581	Samsung Electronics Co., Ltd.	19/05/2020	3881581	20813835.4	
3882880	The University of Tokyo	11/11/2019	3882880	19883588.6	
3883196	Juniper Networks, Inc.	13/05/2020	3883196	20174426.5	
3884285	Sentec Ltd	19/11/2019	3884285	19809595.2	
3884524	BOE Technology Group Co., Ltd.	20/11/2018	3884524	18932315.7	
3884884	Kawasaki Jukogyo Kabushiki Kaisha	19/11/2019	3884884	19887052.9	
3885298	Saurer Spinning Solutions GmbH & Co. KG	24/03/2021	3885298	21164438.0	German
3885644	Hasco Vision Technology Co., Ltd.	13/01/2021	3885644	21731878.1	
3885804	Nippon Telegraph and Telephone Corporation	08/11/2019	3885804	19886236.9	
3885842	Nivarox-FAR S.A.	26/03/2020	3885842	20165964.6	French
3886596	Unilever IP Holdings B.V.	31/10/2019	3886596	19798242.4	
3887385	Geneinfosec, Inc.	30/11/2019	3887385	19890138.1	
3887771	Endress + Hauser Flowtec AG	31/10/2019	3887771	19797703.6	German
3887844	SharkNinja Operating LLC	27/11/2019	3887844	19888766.3	
3888942	The Goodyear Tire & Rubber Company	23/03/2021	3888942	21164408.3	
3889282	JFE Steel Corporation	18/10/2019	3889282	19912354.8	
3889590	Koh Young Technology Inc.	01/04/2014	3889590	21170906.8	
3889629	Analog Devices International Unlimited Company	29/03/2021	3889629	21165525.3	
3889687	BROTHER KOGYO KABUSHIKI KAISHA	31/03/2021	3889687	21166395.0	
3890312	Huawei Technologies Co., Ltd.	13/12/2019	3890312	19898413.0	
3890341	Sony Interactive Entertainment Inc.	24/03/2021	3890341	21164650.0	
3891375	Centre National d'Etudes Spatiales	28/11/2019	3891375	19835692.5	French

(10/04/2024)

Journal of the Intellectual Property Office of Ireland

(No. 2513)

3892253	SCHOTT Pharma Schweiz AG	06/04/2020	3892253	20168303.4	
3892837	N.E. Chemcat Corporation	09/10/2019	3892837	19893205.5	
3893021	Zoller & Fröhlich GmbH	30/03/2021	3893021	21165921.4	German
3893134	Carrier Corporation	08/04/2021	3893134	21167460.1	
3893137	Beijing Baidu Netcom Science and Technology Co., Ltd.	09/08/2021	3893137	21190440.4	
3893515	Huawei Technologies Co., Ltd.	14/08/2019	3893515	19898373.6	
3893543	Telefonaktiebolaget LM Ericsson (publ)	26/07/2017	3893543	21155581.8	
3893620	Hamilton Sundstrand Corporation	12/04/2021	3893620	21167832.1	
3893914	Waterstone Pharmaceuticals (Wuhan) Co., Ltd.	14/12/2018	3893914	18943221.4	
3893983	Imricor Medical Systems, Inc.	12/12/2019	3893983	19897442.0	
3894509	Eastman Chemical Company	06/12/2019	3894509	19895110.5	
3894627	OrganoClick AB	13/12/2019	3894627	19894512.3	
3894829	Micro Motion Inc.	12/12/2018	3894829	18836991.2	
3895098	Afiniti, Ltd.	15/09/2020	3895098	20780874.2	
3895282	Jheeco E-Drive AG	11/12/2019	3895282	19828607.2	German
3896454	Hitachi High-Tech Corporation	14/11/2019	3896454	19894674.1	
3896480	MITSUBISHI ELECTRIC CORPORATION	15/01/2019	3896480	19909707.2	
3896855	Melexis Bulgaria Ltd.	15/04/2020	3896855	20472004.9	
3897598	Halstead, Joseph	05/02/2020	3897598	20754139.2	
3898360	GreenBrakes GmbH	03/12/2019	3898360	19817200.9	German
3898361	GreenBrakes GmbH	17/12/2019	3898361	19829503.2	German
3899163	BUZON Pedestal International s.a.	17/12/2019	3899163	19832058.2	French
3899657	SELUCKÝ, Karel	19/11/2019	3899657	19831591.3	
3900693	Kuraray Noritake Dental Inc.	09/12/2019	3900693	19898548.3	
3900749	Biotyx Medical (Shenzhen) Co., Ltd.	31/10/2019	3900749	19897926.2	
3900875	NSK Ltd.	02/12/2019	3900875	19913321.6	
3901293	JFE Steel Corporation	18/10/2019	3901293	19913827.2	
3901421	RTX Corporation	15/04/2021	3901421	21168710.8	
3901520	Collins Engine Nozzles, Inc.	26/04/2021	3901520	21170411.9	
3901532	Mitsubishi Electric Corporation	19/12/2018	3901532	18943831.0	
3901562	Hexagon Metrology S.p.A.	23/04/2020	3901562	20171027.4	
3901609	JFE Steel Corporation	16/12/2019	3901609	19898324.9	
3901639	NXP USA, Inc.	22/04/2020	3901639	20305390.5	
3901963	Cognes Medical Solutions AB	24/04/2020	3901963	20171315.3	

(10/04/2024)

Journal of the Intellectual Property Office of Ireland

(No. 2513)

3902234	Huawei Technologies Co., Ltd.	12/09/2017	3902234	21154082.8	
3902949	Kimberly-Clark Worldwide, Inc.	28/12/2018	3902949	18944139.7	
3902989	Hassan Tekstil Sanayi Ve Ticaret A.S.	22/10/2019	3902989	19853293.9	
3903621	Nike Innovate C.V.	27/04/2019	3903621	21179653.7	
3904798	Samsung Electronics Co., Ltd.	29/01/2020	3904798	20749318.0	
3905011	Honeywell International Inc.	19/04/2021	3905011	21169259.5	
3905515	Hitachi High-Tech Corporation	14/01/2020	3905515	20770493.3	
3905685	JVCKenwood Corporation	19/12/2019	3905685	19901806.0	
3906380	DYSON TECHNOLOGY LIMITED	17/12/2019	3906380	19831799.2	
3906644	Citrix Systems, Inc.	02/01/2020	3906644	20702528.9	
3906700	Samsung Electronics Co., Ltd.	28/05/2020	3906700	20827355.7	
3906846	Pacesetter, Inc.	08/02/2021	3906846	21155664.2	
3907523	Infineon Technologies AG	03/05/2021	3907523	21171766.5	
3907617	T-Mobile USA, Inc.	06/05/2021	3907617	21172416.6	
3907702	SCANTECH (HANGZHOU) CO., LTD.	27/05/2017	3907702	21177443.5	
3907909	Robert Bosch GmbH	08/04/2021	3907909	21167421.3	
3908355	Becton, Dickinson and Company	06/01/2020	3908355	20703115.4	
3909670	NGK Filtech, Ltd. NGK Insulators, Ltd.	07/01/2020	3909670	20738724.2	
3909671	NGK Filtech, Ltd. NGK Insulators, Ltd.	07/01/2020	3909671	20738797.8	
3910050	The Procter & Gamble Company	14/05/2020	3910050	20174561.9	
3910138	SpeedInnov	15/05/2020	3910138	20305502.5	French
3910193	Siemens Gamesa Renewable Energy A/S	11/05/2020	3910193	20173843.2	
3910351	NXP USA, Inc.	13/05/2020	3910351	20305491.1	
3910803	NXP B.V.	06/05/2021	3910803	21172373.9	
3911122	Oppl Lighting Co., Ltd.	30/12/2019	3911122	19910946.3	
3911799	Kimberly-Clark Worldwide, Inc.	18/01/2019	3911799	19910331.8	
3911866	Aktiebolaget SKF	13/01/2020	3911866	20700787.3	
3912243	Igus GmbH	14/01/2020	3912243	20717249.5	German
3912388	Sony Group Corporation	09/01/2020	3912388	20700160.3	
3912406	QUALCOMM INCORPORATED	17/01/2020	3912406	20706040.1	
3913076	NIPPON STEEL CORPORATION	16/01/2020	3913076	20740895.6	
3913728	Huawei Digital Power Technologies Co., Ltd.	20/12/2019	3913728	19922631.7	

*(10/04/2024)**Journal of the Intellectual Property Office of Ireland**(No. 2513)*

3913984	Telefonaktiebolaget LM Ericsson (publ)	16/01/2015	3913984	21183537.6	
3914863	Breville Pty Limited	30/09/2019	3914863	19911174.1	
3915293	University of York	24/01/2020	3915293	20705450.3	
3915324	QUALCOMM Incorporated	16/01/2020	3915324	20704755.6	
3915857	Faurecia Clarion Electronics Co., Ltd.	26/05/2021	3915857	21176001.2	
3916345	The Goodyear Tire & Rubber Company	19/05/2021	3916345	21174748.0	
3916348	Samsung Electronics Co., Ltd.	10/02/2021	3916348	21156223.6	
3916372	Continental Reifen Deutschland GmbH	04/12/2020	3916372	20211831.1	German
3916402	ABB Schweiz AG	25/05/2020	3916402	20176260.6	
3916493	Siemens Aktiengesellschaft	19/05/2021	3916493	21174580.7	German
3916926	TE Connectivity Germany GmbH	22/05/2014	3916926	21186545.6	
3916929	Nexans	29/05/2020	3916929	20305570.2	
3917269	Sony Group Corporation	09/06/2016	3917269	21170227.9	
3917477	Fitesa Film Products LLC	30/01/2020	3917477	20749118.4	
3917804	MCi (Mirror Controls International) Netherlands B.V.	30/01/2020	3917804	20704622.8	German
3918735	Qualcomm Incorporated	17/01/2020	3918735	20706899.0	
3919379	Subaru Corporation Japan Aerospace Exploration Agency	26/05/2021	3919379	21175987.3	
3919405	ALWA GmbH & Co. KG Konstruktion & Formenbau	04/06/2020	3919405	20178166.3	German
3919479	Bionna (Beijing) Medical Technology Co., Ltd.	21/01/2020	3919479	20749207.5	
3919758	Bümach Engineering International B.V.	20/05/2021	3919758	21000140.0	German
3919877	Jin, Peng	13/01/2020	3919877	20749416.2	
3920354	Bender GmbH & Co. KG	11/05/2021	3920354	21173322.5	German
3920580	Datang Mobile Communications Equipment Co., Ltd.	14/01/2020	3920580	20748665.5	
3920816	Nexus Spine, LLC	11/02/2020	3920816	20709998.7	
3921046	New Growth Fitness LLC	04/02/2020	3921046	20752951.2	
3921614	PPG Industries Ohio Inc.	29/01/2020	3921614	20709810.4	
3921922	IFP Energies nouvelles	14/01/2020	3921922	20700221.3	French
3922065	Huawei Technologies Co., Ltd.	14/01/2020	3922065	20770346.3	
3922314	Viokox, S.A.	17/01/2020	3922314	20751967.9	
3922543	Jiangsu Jilong Sport and Leisure Products Co., Ltd	22/10/2020	3922543	20203449.2	
3922558	B/E Aerospace, Inc.	11/06/2021	3922558	21179049.8	

(10/04/2024)

Journal of the Intellectual Property Office of Ireland

(No. 2513)

3922614	Vitro Flat Glass LLC	14/07/2016	3922614	21188364.0	
3922741	Nippon Steel Corporation	17/04/2020	3922741	20920764.6	
3922899	Chart Inc.	07/06/2021	3922899	21177982.2	
3923150	STMicroelectronics (Rousset) SAS	01/06/2021	3923150	21177016.9	French
3923425	NIPPON TELEGRAPH AND TELEPHONE CORPORATION	24/01/2020	3923425	20752773.0	
3923688	ABB Schweiz AG	19/05/2021	3923688	21174785.2	
3924012	Multigate Medical Products Pty Ltd	14/02/2020	3924012	20756272.9	
3924033	Salvia Bioelectronics B.V.	10/02/2020	3924033	20709711.4	
3924193	Stellantis Auto SAS	20/12/2019	3924193	19848968.4	French
3924338	Syngenta Crop Protection AG	12/02/2020	3924338	20705166.5	
3924651	Viega Technology GmbH & Co. KG	14/02/2019	3924651	19706450.4	German
3925013	Samsung Electronics Co., Ltd.	24/06/2020	3925013	20834690.8	
3926171	Gree Green Refrigeration Technology Center Co., Ltd. of Zhuhai	27/12/2019	3926171	19932284.3	
3926703	Consejo Superior de Investigaciones Científicas (CSIC)	15/06/2020	3926703	20382514.6	
3926882	Motorola Mobility LLC	26/03/2018	3926882	21189940.6	
3927611	GICON Grossmann Ingenieur Consult GmbH	18/02/2020	3927611	20706669.7	German
3928107	Stellantis Auto SAS	20/12/2019	3928107	19848809.0	French
3928349	Aixtron SE	10/02/2020	3928349	20704519.6	German
3928668	BSH Hausgeräte GmbH	20/05/2021	3928668	21174975.9	German
3929387	Kiekert AG	20/05/2021	3929387	21174997.3	German
3929419	General Electric Technology GmbH	18/06/2021	3929419	21180358.0	
3929470	Ge Avio S.r.l.	28/05/2021	3929470	21176535.9	
3930114	TE Connectivity Solutions GmbH	21/06/2021	3930114	21180603.9	
3930162	Samsung Electronics Co., Ltd.	07/06/2021	3930162	21177968.1	
3930207	CANON KABUSHIKI KAISHA	08/01/2018	3930207	21184816.3	
3930257	Intel Corporation	02/12/2020	3930257	20211372.6	
3930299	Huawei Technologies Co., Ltd.	01/04/2020	3930299	20787014.8	
3930411	GUANGDONG OPPO MOBILE TELECOMMUNICATIONS CORP., LTD.	28/03/2019	3930411	19921145.9	
3930432	Google LLC	20/11/2020	3930432	20208987.6	

3930958	The Provost, Fellows, Foundation Scholars, & the other members of Board, of the College of the Holy & Undiv. Trinity of Queen Elizabeth near Dublin	27/02/2019	3930958	19708283.7	
3931192	Bayer Aktiengesellschaft	24/02/2020	3931192	20707065.7	German
3931972	Samsung Electronics Co., Ltd.	15/05/2020	3931972	20805525.1	
3932139	QUALCOMM INCORPORATED	28/02/2020	3932139	20715572.2	
3932558	Credo Diagnostics Biomedical Pte. Ltd.	14/08/2020	3932558	20191106.2	
3932766	TOYOTA JIDOSHA KABUSHIKI KAISHA	22/06/2021	3932766	21180837.3	
3932786	Kubota Corporation	28/06/2021	3932786	21181953.7	
3933339	Mitutoyo Corporation Mitutoyo Europe GmbH	30/06/2020	3933339	20183044.5	
3934057	Huawei Digital Power Technologies Co., Ltd.	29/04/2020	3934057	20920795.0	
3935331	Samsung Electronics Co., Ltd.	03/06/2020	3935331	20818504.1	
3935334	SMS group S.p.A.	19/02/2020	3935334	20711645.0	
3936895	Huawei Technologies Co., Ltd.	09/04/2019	3936895	19924591.1	
3937075	Samsung Electronics Co., Ltd.	18/05/2021	3937075	21174413.1	
3937203	Schneider Electric Industries SAS	09/06/2021	3937203	21178414.5	
3937305	Huawei Technologies Co., Ltd.	26/03/2019	3937305	19921729.0	
3937357	ABB SCHWEIZ AG	20/12/2018	3937357	21184989.8	
3937361	Huawei Digital Power Technologies Co., Ltd.	13/04/2020	3937361	20792108.1	
3938996	GM Cruise Holdings LLC	28/12/2019	3938996	19843049.8	
3939761	Kuraray Co., Ltd.	28/01/2020	3939761	20769771.5	
3939836	ATERA GmbH	11/06/2021	3939836	21179013.4	German
3940207	Powerhouse Engine Solutions Switzerland IP Holding GmbH	06/04/2021	3940207	21167079.9	
3940413	ROSEMOUNT AEROSPACE INC.	14/07/2021	3940413	21185643.0	
3940948	Deere & Company	05/07/2021	3940948	21183589.7	
3941013	Juniper Networks, Inc.	04/09/2020	3941013	20194656.3	
3941541	ConvaTec Technologies Inc.	13/04/2020	3941541	20788692.0	
3941801	KNORR-BREMSE Systeme für Nutzfahrzeuge GmbH	30/01/2020	3941801	20702781.4	German
3941920	Merck Patent GmbH	17/03/2020	3941920	20711173.3	German

(10/04/2024)

Journal of the Intellectual Property Office of Ireland

(No. 2513)

3944015	Pegatron Corporation	06/07/2021	3944015	21184078.0	
3944069	GUANGZHOU XIAOPENG MOTORS TECHNOLOGY CO., LTD.	21/10/2021	3944069	21203944.0	
3944145	BEIJING BAIDU NETCOM SCIENCE TECHNOLOGY CO., LTD.	26/11/2021	3944145	21210713.0	
3944693	China Mobile Communication Co., Ltd Research Institute CHINA MOBILE COMMUNICATIONS GROUP CO., LTD.	27/03/2020	3944693	20776437.4	
3945534	Yantai Dongxing Magnetic Materials Inc.	16/07/2021	3945534	21185981.4	
3945634	Beijing Xiaomi Mobile Software Co., Ltd.	29/04/2021	3945634	21171303.7	
3945968	Aurora Life Science GmbH	30/03/2020	3945968	20720739.0	German
3946182	Reia, LLC	27/03/2020	3946182	20784261.8	
3947970	Life Technologies Corporation	14/05/2021	3947970	21731345.1	
3948091	BSH Hausgeräte GmbH	24/03/2020	3948091	20722465.0	German
3948936	Memstim, LLC	03/04/2020	3948936	20781932.7	
3949110	Siemens Gamesa Renewable Energy A/S	01/04/2020	3949110	20718228.8	
3949821	Ecovacs Robotics Co., Ltd.	17/08/2018	3949821	21196844.1	
3950445	HL Mando Corporation	27/03/2020	3950445	20784339.2	
3950566	Beijing Geekplus Technology Co., Ltd.	27/08/2019	3950566	19923051.7	
3950684	Medshine Discovery Inc.	30/03/2020	3950684	20784747.6	
3951138	IHI Corporation	10/12/2019	3951138	19921773.8	
3951143	Heesung Catalysts Corporation	31/03/2020	3951143	20783431.8	
3952265	Huawei Technologies Co., Ltd.	21/09/2020	3952265	20868876.2	
3952323	Huawei Technologies Co., Ltd.	27/03/2020	3952323	20796371.1	
3952373	Huawei Technologies Co., Ltd.	28/03/2019	3952373	19921018.8	
3953490	Fondazione Telethon ETS Ospedale San Raffaele S.r.l.	09/04/2020	3953490	20718654.5	
3953532	FASTER S.r.l.	01/04/2020	3953532	20721113.7	
3954346	AMO Development, LLC	25/09/2015	3954346	21196071.1	
3955358	Contemporary Amperex Technology Co., Limited	03/09/2020	3955358	20870255.5	

(10/04/2024)

Journal of the Intellectual Property Office of Ireland

(No. 2513)

3955455	MITSUBISHI ELECTRIC CORPORATION	11/04/2019	3955455	19924416.1	
3955493	Beijing Xiaomi Mobile Software Co., Ltd.	18/04/2019	3955493	19924874.1	
3955619	Malikie Innovations Limited	20/01/2017	3955619	21199676.4	
3956073	Glatt Gesellschaft mit beschränkter Haftung	11/03/2020	3956073	20711850.6	German
3956106	INVENTIO AG	01/04/2020	3956106	20715873.4	German
3956213	Fincantieri S.p.A.	15/04/2020	3956213	20731196.0	
3956321	Synthon B.V.	09/04/2020	3956321	20717197.6	
3956690	VGIS INC.	14/04/2021	3956690	21797368.4	
3956775	Beatdapp Software Inc.	24/07/2020	3956775	20842547.0	
3957934	Qingdao Haier Refrigerator Co., Ltd Haier Smart Home Co., Ltd.	15/10/2019	3957934	19925086.1	
3958057	Delta Electronics, Inc.	05/02/2021	3958057	21155606.3	
3958098	Wacom Co., Ltd.	03/08/2015	3958098	21201610.9	
3958167	Toyota Jidosha Kabushiki Kaisha The University Court Of The University of Edinburgh	21/08/2020	3958167	20192258.0	
3958407	Japan Aviation Electronics Industry, Limited	18/06/2020	3958407	20847671.3	
3958633	Huawei Technologies Co., Ltd.	04/06/2020	3958633	20819420.9	
3958806	THE REGENTS OF THE UNIVERSITY OF CALIFORNIA	24/04/2020	3958806	20794897.7	
3959066	Arris Composites Inc.	24/04/2020	3959066	20732003.7	
3959083	Audi AG	08/04/2020	3959083	20722475.9	German
3959200	Anadolu Universitesi	11/01/2021	3959200	21806123.2	
3959359	Université Paris Cité Centre National de la Recherche Scientifique	24/04/2020	3959359	20719666.8	
3959587	Microsoft Technology Licensing, LLC	24/04/2020	3959587	20724718.0	
3959855	Microsoft Technology Licensing, LLC	03/04/2020	3959855	20722777.8	
3959869	QUALCOMM INCORPORATED	24/04/2020	3959869	20726998.6	
3960194	Loos, Volker	01/09/2021	3960194	21194431.9	German
3960361	ALOtec Dresden GmbH	20/08/2021	3960361	21192366.9	German
3961029	General Electric Renovables España, S.L.	24/08/2021	3961029	21192801.5	

(10/04/2024)

Journal of the Intellectual Property Office of Ireland

(No. 2513)

3962009	Huawei Technologies Co., Ltd.	11/06/2020	3962009	20835506.5	
3962814	ArianeGroup SAS	05/06/2020	3962814	20742319.5	French
3963090	Ankom Technology Corporation	29/04/2020	3963090	20798655.5	
3963118	Novelis, Inc.	26/06/2020	3963118	20740473.2	
3963169	Tenaris Connections B.V.	30/04/2020	3963169	20720916.4	
3963289	Sword Health, S.A.	27/04/2020	3963289	20720106.2	
3963613	Maschinenfabrik Reinhausen GmbH	23/04/2020	3963613	20721211.9	German
3964735	Transportation IP Holdings, LLC	12/12/2016	3964735	21204552.0	
3964890	Oprontec Co., Ltd	06/01/2021	3964890	21150382.6	
	HYUNDAI MOTOR COMPANY				
	Kia Corporation				
3965481	TOYOTA JIDOSHA KABUSHIKI	23/11/2017	3965481	21195374.0	
	KAISHA				
3966014	Mold-Masters (2007) Limited	06/05/2020	3966014	20805038.5	
3966017	Universitat Rovira I Virgili	05/05/2020	3966017	20722347.0	
	Institució Catalana de Recerca i Estudis				
	Avançats (ICREA)				
3966157	LPKF Laser & Electronics SE	23/04/2020	3966157	20724410.4	German
3966403	EWALD DÖRKEN AG	18/06/2020	3966403	20733955.7	German
3966600	TotalEnergies OneTech	10/05/2019	3966600	19745742.7	
3967421	General Electric Company	26/08/2021	3967421	21193243.9	
3967457	Valentini, Guido	10/09/2020	3967457	20195451.8	
3967600	Livelihood Aerospace Ltd	14/09/2021	3967600	21196636.1	
3967702	CHIA TAI TIANQING	09/05/2020	3967702	20805780.2	
	PHARMACEUTICAL GROUP CO.,				
	LTD.				
3967880	Hitachi Construction Machinery Co.,	08/11/2019	3967880	19951339.1	
	Ltd.				
3968606	Huawei Cloud Computing Technologies	04/06/2020	3968606	20834405.1	
	Co., Ltd.				
3969736	SAFRAN AIRCRAFT ENGINES	15/05/2020	3969736	20725551.4	French
3969803	Signify Holding B.V.	12/05/2020	3969803	20725173.7	
3969867	Kistler Holding AG	04/05/2020	3969867	20721646.6	German
3969973	Siemens Aktiengesellschaft	10/07/2020	3969973	20737033.9	
3970656	Megagen Implant Co., Ltd.	12/02/2020	3970656	20810752.4	
3970998	Toyo Tire Corporation	10/09/2021	3970998	21195875.6	

*(10/04/2024)**Journal of the Intellectual Property Office of Ireland**(No. 2513)*

3971118	Becton Dickinson Rowa Germany GmbH	22/09/2020	3971118	20197478.9	German
3971406	ArianeGroup GmbH	18/08/2021	3971406	21191880.0	German
3971536	Honeywell International Inc.	09/09/2021	3971536	21195854.1	
3971618	FURUNO ELECTRIC CO., LTD.	14/04/2020	3971618	20806625.8	
3972816	General Electric Company	22/05/2020	3972816	20732377.5	
3973195	Neuhofer, Franz	12/05/2020	3973195	20726287.4	German
3973808	NIKE Innovate C.V.	08/04/2011	3973808	21187845.9	
3973882	DENTSPLY SIRONA Inc. Sirona Dental Systems GmbH	24/09/2020	3973882	20198178.4	
3974171	VERITAS AG	31/08/2021	3974171	21194026.7	German
3974326	Airbus Operations Limited	14/07/2021	3974326	21185639.8	
3974411	Asymchem Laboratories (Tianjin) Co., Ltd.	21/05/2019	3974411	19930141.7	
3975636	Kyocera Corporation	21/09/2017	3975636	21208961.9	
3975941	Ottobock SE & Co. KGaA	20/05/2020	3975941	20727971.2	German
3976012	Afyx Therapeutics A/S	29/05/2020	3976012	20754342.2	
3976427	Continental Automotive Technologies GmbH	20/05/2020	3976427	20727617.1	German
3976916	Knorr-Bremse Gesellschaft mit beschränkter Haftung	18/05/2020	3976916	20727948.0	German
3977275	Microsoft Technology Licensing, LLC	22/04/2020	3977275	20729865.4	
3977914	Welch Allyn, Inc.	15/09/2015	3977914	21208704.3	
3978856	Hisaka Works, Ltd.	01/06/2020	3978856	20818340.0	
3979273	Hitachi Energy Ltd	30/09/2020	3979273	20382863.7	
3979274	Suzhou Oppl Lighting Co., Ltd. Oppl Lighting Co., Ltd.	16/09/2020	3979274	20867268.3	
3980714	Renishaw PLC	05/06/2020	3980714	20732295.9	
3981222	Watlow Electric Manufacturing Company	05/06/2020	3981222	20750409.3	
3981416	OncoTherapy Science, Inc.	31/07/2015	3981416	21202045.7	
3982005	WITTENSTEIN SE	05/10/2021	3982005	21200962.5	German
3982244	Samsung Electronics Co., Ltd.	28/06/2021	3982244	21181962.8	
3982267	Huawei Technologies Co., Ltd.	09/07/2019	3982267	19936856.4	
3982891	Essity Hygiene and Health Aktiebolag	11/06/2019	3982891	19932610.9	
3982892	Upsilon Healthcare Technology, LLC	10/06/2020	3982892	20827615.4	
3983068	RIJKSUNIVERSITEIT GRONINGEN	15/06/2020	3983068	20731511.0	

*(10/04/2024)**Journal of the Intellectual Property Office of Ireland**(No. 2513)*

3983188	Ecole Nationale des Ponts et Chaussées	12/06/2020	3983188	20742330.2	French
3984537	Biomed Valley Discoveries, Inc.	19/12/2014	3984537	21193832.9	
3984704	Illinois Tool Works, Inc.	18/08/2021	3984704	21191833.9	
3984882	Círus, Róbert Nyíri, Attila Círus, Norbert	07/05/2021	3984882	21172864.7	
3985752	Samsung Display Co., Ltd.	14/10/2021	3985752	21202687.6	
3986353	Ozyegin Universitesi	21/06/2019	3986353	19772889.2	
3987515	QUALCOMM INCORPORATED	23/06/2020	3987515	20742531.5	
3988333	Sumitomo Rubber Industries, Ltd.	13/10/2021	3988333	21202480.6	
3988586	LG Chem, Ltd.	30/03/2021	3988586	21783712.9	
3988847	Indian Oil Corporation Limited	18/08/2021	3988847	21191885.9	
3988925	Endress+Hauser Optical Analysis, Inc.	23/10/2020	3988925	20203677.8	
3989466	Apple Inc.	23/12/2015	3989466	21187869.9	
3990226	Hilti Aktiengesellschaft	16/06/2020	3990226	20731893.2	
3990227	Hilti Aktiengesellschaft	17/06/2020	3990227	20732236.3	
3991050	Nordic Semiconductor ASA	19/06/2020	3991050	20732992.1	
3991627	Winterhalter Product & Technology GmbH	20/10/2021	3991627	21203713.9	German
3991858	NETZSCH Trockenmahltechnik GmbH	07/10/2021	3991858	21201374.2	German
3991863	Panasonic Intellectual Property Management Co., Ltd.	28/05/2020	3991863	20831163.9	
3992344	ORGAN NEEDLE CO., LTD.	12/10/2021	3992344	21202100.0	
3992586	ACQUA BREVETTI S.R.L.	27/05/2021	3992586	21176296.8	
3992638	Kistler Holding AG	26/10/2021	3992638	21204675.9	German
3992742	Deutsche Telekom AG	30/10/2020	3992742	20204961.5	
3992788	Huawei Technologies Co., Ltd.	05/08/2020	3992788	20852794.5	
3993910	Laboratoires Clarins	03/07/2020	3993910	20735011.7	French
3993952	National Flooring Equipment, Inc.	17/06/2020	3993952	20835178.3	
3994453	Diemietwaesche.De GmbH + Co. Kg	01/07/2020	3994453	20739579.9	German
3995365	Autoliv Development AB	04/06/2020	3995365	20834797.1	
3995726	VILPE Oy	05/11/2021	3995726	21206716.9	
3995938	Samsung Electronics Co., Ltd.	06/08/2020	3995938	20849025.0	
3996302	Huawei Technologies Co., Ltd.	10/09/2020	3996302	20862858.6	
3996480	Hamilton Sundstrand Corporation	11/10/2021	3996480	21201934.3	
3996554	Bolzan S.r.l. - Societa' Benefit	09/07/2020	3996554	20747155.8	
3996566	Blasetti, Giambattista	10/07/2020	3996566	20754362.0	

*(10/04/2024)**Journal of the Intellectual Property Office of Ireland**(No. 2513)*

3996987	Latecoere	06/07/2020	3996987	20735616.3	French
3997097	Janssen Pharmaceutica NV	07/07/2020	3997097	20739606.0	
3998144	WKI Isoliertechnik GmbH	15/10/2021	3998144	21202860.9	German
3998192	Lilium eAircraft GmbH	19/02/2021	3998192	21158246.5	
3998343	Nanodigmbio (Nanjing) Biotechnology Co., Ltd	28/12/2020	3998343	20947818.9	
3998431	Mitsubishi Electric Corporation	10/07/2019	3998431	19936640.2	
3998758	Intelligent Platforms, LLC	20/05/2015	3998758	21217163.1	
3998893	TBL Licensing LLC	17/07/2020	3998893	20754425.5	
3999383	VOLVO TRUCK CORPORATION	16/06/2020	3999383	20734850.9	
3999709	Saint-Gobain Glass France	14/07/2020	3999709	20737478.6	German
3999813	Waymap Limited	10/07/2020	3999813	20742409.4	
4001063	NIPPON STEEL CORPORATION	14/07/2020	4001063	20841022.5	
4001120	Airbus Operations (S.A.S.)	18/11/2021	4001120	21209043.5	French
4001489	Calik Denim Tekstil San. Ve Tic. A.S.	24/11/2020	4001489	20209473.6	
4001708	Carl Freudenberg KG	10/11/2021	4001708	21207385.2	German
4001790	Daikin Industries, Ltd.	14/09/2020	4001790	20865540.7	
4001835	Faro Technologies, Inc.	05/11/2021	4001835	21206729.2	
4002069	Samsung Electronics Co., Ltd.	24/07/2013	4002069	22150736.1	
4002133	Samsung Electronics Co., Ltd.	15/09/2021	4002133	21196814.4	
4004166	CEG Technology UK Limited	24/07/2020	4004166	20742779.0	
4004696	Samsung Electronics Co., Ltd.	28/09/2020	4004696	20874541.4	
4006951	Canon Anelva Corporation	03/09/2019	4006951	19944599.0	
4008657	Tetra Laval Holdings & Finance S.A.	25/11/2021	4008657	21210405.3	
4008902	LG Electronics Inc.	10/08/2021	4008902	21190462.8	
4008994	Tracker Connect (PTY) Limited	22/02/2017	4008994	21216508.8	
4009835	F. Smit Holding B.V.	07/08/2020	4009835	20750295.6	
4010045	Edwards Lifesciences Corporation	23/07/2020	4010045	20754489.1	
4010137	Hartmetall-Werkzeugfabrik Paul Horn GmbH	06/08/2020	4010137	20753736.6	German
4010382	Synthomer Sdn. Bhd.	09/08/2019	4010382	19782769.4	
4010504	ArcelorMittal	29/07/2020	4010504	20747149.1	
4010531	Impero, Pasquale	03/08/2020	4010531	20761629.3	
4011789	Leef Blattwerk GmbH	10/12/2020	4011789	20213206.4	German
4012446	NXP B.V.	11/12/2020	4012446	20213499.5	

*(10/04/2024)**Journal of the Intellectual Property Office of Ireland**(No. 2513)*

4012458	Kyungpook National University Industry-Academic Cooperation Foundation	06/08/2020	4012458	20851477.8	
4013356	Erdmann, Alfons Eyerer, Peter	13/08/2020	4013356	20775816.0	German
4013360	Otto Bock Healthcare Products GmbH	11/08/2020	4013360	20754728.2	German
4013980	Volkswagen Aktiengesellschaft	10/08/2020	4013980	20754237.4	German
4014288	TECHNAX	10/09/2020	4014288	20786005.7	French
4014479	Dolby Laboratories Licensing Corporation	11/08/2020	4014479	20760720.1	
4014691	Fraunhofer-Gesellschaft zur Förderung der angewandten Forschung e.V.	10/08/2020	4014691	20753363.9	
4015252	The Goodyear Tire & Rubber Company	01/12/2021	4015252	21211735.2	
4015455	Stamicarbon B.V.	29/03/2016	4015455	22156578.1	
4015774	GE Aviation Systems LLC	09/12/2021	4015774	21213564.4	
4015861	Ningbo Geely Automobile Research & Development Co. Ltd. Zhejiang Geely Holding Group Co., Ltd.	16/12/2020	4015861	20214453.1	
4015931	Stiebel Eltron GmbH & Co. KG	17/09/2021	4015931	21197384.7	German
4015973	Hamilton Sundstrand Corporation	15/12/2021	4015973	21214896.9	
4016007	Insta GmbH	02/11/2021	4016007	21205958.8	German
4016101	LG ENERGY SOLUTION, LTD.	14/01/2021	4016101	21743768.0	
4016180	NSpectra Co., Ltd.	14/11/2019	4016180	19941554.8	
4018094	Cytiva Sweden AB	24/06/2020	4018094	20735124.8	
4018785	Signify Holding B.V.	17/08/2020	4018785	20753969.3	
4018842	NISSIN FOODS HOLDINGS CO., LTD.	17/08/2020	4018842	20854595.4	
4019238	Bongioanni Macchine S.p.A.	23/12/2021	4019238	21217399.1	
4020103	Wittmann Technology GmbH	17/07/2018	4020103	22155440.5	German
4020312	Apollo Intelligent Connectivity (Beijing) Technology Co., Ltd.	26/08/2021	4020312	21193386.6	
4020513	Huawei Technologies Co., Ltd.	21/08/2020	4020513	20866699.0	
4020725	Suzhou Everbright Photonics Co., Ltd. Everbright Institute of Semiconductor Photonics Co., Ltd.	24/05/2021	4020725	21822440.0	
4020854	Huawei Technologies Co., Ltd.	28/08/2020	4020854	20857075.4	

*(10/04/2024)**Journal of the Intellectual Property Office of Ireland**(No. 2513)*

4021045	Apple Inc.	05/02/2015	4021045	22154974.4	
4021155	Huawei Technologies Co., Ltd.	19/08/2020	4021155	20866698.2	
4021351	TruLeaf Medical Ltd.	01/10/2020	4021351	20790062.2	
4021812	University of Limerick	24/08/2020	4021812	20764049.1	
4021902	Eli Lilly and Company	24/08/2020	4021902	20764911.2	
4022488	Siemens Industry Software Inc.	30/08/2019	4022488	19769648.7	
4023350	Ningbo Fujia Industrial Co., Ltd.	06/07/2020	4023350	20863188.7	
4023806	Samsung Electronics Co., Ltd.	25/11/2020	4023806	20893950.4	
4024063	Qingdao Topscomm Communication Co., Ltd	24/12/2020	4024063	20909461.4	
4024755	Irdeto B.V.	26/08/2021	4024755	21193192.8	
4025253	Pharma Mar, S.A.	04/09/2020	4025253	20764406.3	
4026763	Yamaha Hatsudoki Kabushiki Kaisha	05/01/2022	4026763	22150393.1	French
4026769	The Boeing Company	21/12/2021	4026769	21216356.2	
4027013	Anhui Meizhi Compressor Co., Ltd.	16/10/2020	4027013	20889731.4	
4027905	Cilag GmbH International	15/09/2021	4027905	21773885.5	
4028798	SERCEL	11/09/2020	4028798	20789249.8	
4030030	Arconic Technologies LLC	14/01/2021	4030030	21151572.1	
4030043	AIRBUS OPERATIONS	11/01/2022	4030043	22150840.1	French
4030134	Phoenixdarts Co., Ltd.	10/08/2020	4030134	20876927.3	
4030588	Huawei Digital Power Technologies Co., Ltd.	29/09/2020	4030588	20955503.6	
4030965	LEONARDO S.r.l.	09/09/2020	4030965	20785602.2	
4031048	Koninklijke Philips N.V.	03/09/2020	4031048	20764113.5	
4031093	Artsana S.p.A.	31/08/2020	4031093	20775716.2	
4031525	Commissariat à l'Energie Atomique et aux Energies Alternatives	20/10/2020	4031525	20804613.6	French
4031769	Airtender Works B.V.	17/09/2020	4031769	20775738.6	
4031802	Signify Holding B.V.	11/09/2020	4031802	20771297.7	
4032581	Nippon Telegraph And Telephone Corporation	29/10/2019	4032581	19950407.7	
4032934	Evonik Operations GmbH	20/01/2021	4032934	21152487.1	
4033325	Amicro Semiconductor Co., Ltd.	24/08/2020	4033325	20912784.4	
4034303	ABC Med Tech Corp.	09/09/2020	4034303	20867420.0	
4034917	RWE Nuclear GmbH	18/09/2020	4034917	20775280.9	German
4034933	Meta Platforms Technologies, LLC	05/09/2020	4034933	20775144.7	
4035219	Talga Technologies Limited	24/09/2020	4035219	20789264.7	

*(10/04/2024)**Journal of the Intellectual Property Office of Ireland**(No. 2513)*

4035859	Lg Chem, Ltd.	04/08/2021	4035859	21881345.9	
4035922	Huawei Digital Power Technologies Co., Ltd.	13/01/2022	4035922	22151301.3	
4036253	Erasteel	27/01/2022	4036253	22153723.6	French
4036563	Rigaku Corporation	24/02/2021	4036563	21807987.9	
4037586	CONMED Corporation	05/10/2020	4037586	20797609.3	
4038280	Robert Bosch GmbH	23/09/2020	4038280	20780140.8	German
4039372	Guangzhou Xaircraft Technology Co., Ltd.	20/08/2020	4039372	20901290.5	
4039829	ChromaCode, Inc.	27/06/2018	4039829	22152874.8	
4040556	Institute Of Chemistry, Chinese Academy Of Sciences II-VI Incorporated	14/09/2016	4040556	22165492.4	
4040706	LG Electronics Inc.	03/11/2020	4040706	20881021.8	
4041832	PPG Europe B.V.	28/07/2021	4041832	21755707.3	
4042175	Koninklijke Philips N.V.	24/09/2020	4042175	20775315.3	
4042383	Sony Pictures Entertainment, Inc. Sony Group Corporation	10/11/2020	4042383	20888462.7	
4042536	Clarkson, Gregory Wayne Carty, Timothy A.	09/07/2020	4042536	20874163.7	
4042926	HOYA CORPORATION	30/09/2020	4042926	20873553.0	
4043107	Imogo AB	11/02/2021	4043107	21156636.9	
4043433	Guangzhou Tinci Materials Technology Co., Ltd.	17/09/2020	4043433	20867884.7	
4043628	Song, Soo Bok Song, Won Seok	16/10/2019	4043628	22165156.5	
4043641	Vaisala, OYJ	10/02/2021	4043641	21156246.7	
4044879	Steiner AG Weggis	10/09/2020	4044879	20775216.3	German
4045366	Trico Belgium S.A.	15/10/2019	4045366	19789946.1	
4046568	Stryker European Operations Limited	17/02/2021	4046568	21157655.8	
4046872	Impact Import Group Pty Ltd	21/02/2022	4046872	22157806.5	
4047852	Huawei Technologies Co., Ltd.	13/11/2020	4047852	20887132.7	
4048411	Jacobson, Diego	02/12/2020	4048411	20898380.9	
4048455	Clever Group B.V.	23/10/2020	4048455	20799851.9	
4048472	Ceramic Data Solutions GmbH	14/08/2020	4048472	20758149.7	
4048535	ZF Friedrichshafen AG	23/09/2020	4048535	20780160.6	German
4048757	Saudi Arabian Oil Company	17/12/2020	4048757	20842444.0	

*(10/04/2024)**Journal of the Intellectual Property Office of Ireland**(No. 2513)*

4048883	Safran Nacelles	20/10/2020	4048883	20804615.1	French
4049891	Delta Kogyo Co., Ltd.	22/10/2020	4049891	20878764.8	
4050423	Envisics Ltd.	04/02/2022	4050423	22155229.2	
4050691	LG Energy Solution, Ltd.	10/07/2020	4050691	20899932.6	
4051021	JT International S.A.	26/10/2020	4051021	20793399.5	
4051455	Epiroc Drilling Tools Aktiebolag	23/10/2020	4051455	20800362.4	
4051577	Boards & More GmbH	29/10/2020	4051577	20800829.2	German
4052103	Telefonaktiebolaget LM Ericsson (publ)	31/10/2019	4052103	19797707.7	
4052603	Santoni Societa' Per Azioni	15/02/2022	4052603	22156680.5	
4053929	Samsung Electronics Co., Ltd.	01/09/2021	4053929	21194346.9	
4054224	GUANGDONG OPPO MOBILE TELECOMMUNICATIONS CORP., LTD.	29/10/2019	4054224	19950282.4	
4054707	Medtronic, Inc.	04/11/2020	4054707	20816033.3	
4054772	ArcelorMittal	05/11/2019	4054772	19804855.5	
4055013	Vanderbilt University	08/11/2020	4055013	20829728.3	
4055261	SAFRAN AIRCRAFT ENGINES	08/12/2020	4055261	20842007.5	French
4056801	SIMU	10/03/2022	4056801	22161320.1	French
4057590	Wobben Properties GmbH	12/03/2021	4057590	21162200.6	German
4057612	Huawei Technologies Co., Ltd.	03/12/2020	4057612	20895547.6	
4059345	Stonbo Creative Co. Ltd	21/02/2022	4059345	22157719.0	
4059427	Becton, Dickinson and Company	23/08/2017	4059427	22172551.8	
4061203	Koninklijke Philips N.V.	13/11/2020	4061203	20803586.5	
4061540	Kolektor Mobility d.o.o.	03/02/2022	4061540	22703620.9	German
4061769	TotalEnergies OneTech Sulzer Management AG	20/11/2020	4061769	20808116.6	
4061815	BASF SE	16/11/2020	4061815	20803868.7	
4062017	Pressan Madeni Esya San. Tic. A.S.	30/10/2020	4062017	20803763.0	
4062080	GKN Driveline International GmbH	18/11/2019	4062080	19806178.0	
4062774	Altria Client Services LLC	02/04/2019	4062774	22168036.6	
4062877	Shukla Medical	21/10/2020	4062877	22167497.1	
4063110	Bucher Vaslin	21/03/2022	4063110	22163289.6	French
4063195	Impact Import Group Pty Ltd	21/02/2022	4063195	22157805.7	
4064853	Wageningen Universiteit	27/11/2020	4064853	20830369.3	
4065388	COMPAGNIE GENERALE DES ETABLISSEMENTS MICHELIN	27/11/2019	4065388	19820892.8	
4065512	Wacker Chemie AG	27/11/2019	4065512	19813448.8	German

(10/04/2024)

Journal of the Intellectual Property Office of Ireland

(No. 2513)

4065613	Dow Global Technologies LLC	11/11/2020	4065613	20820000.6	
4065768	Omya International AG	25/11/2020	4065768	20810981.9	
4066100	Amazon Technologies, Inc.	25/11/2020	4066100	20825369.0	
4066268	Marquardt GmbH	30/08/2021	4066268	21766675.9	German
4067119	Continental Reifen Deutschland GmbH	16/11/2021	4067119	21208531.0	German
4067330	Symrise AG	11/06/2019	4067330	22169625.5	
4067992	Hangzhou Hikvision Digital Technology Co., Ltd.	01/07/2020	4067992	20894144.3	
4069352	Medtronic, Inc.	04/12/2020	4069352	20830420.4	
4069693	F. Hoffmann-La Roche AG	01/12/2020	4069693	20819661.8	
4070011	Siemens Energy Global GmbH & Co. KG	28/12/2020	4070011	20839342.1	German
4070112	Nordic Bioscience A/S	03/12/2020	4070112	20819721.0	
4071009	TOYOTA JIDOSHA KABUSHIKI KAISHA	31/08/2020	4071009	22175233.0	
4071286	Song, Soo Bok Song, Won Seok	16/10/2019	4071286	22165125.0	
4071407	Valmet Technologies Oy	29/03/2022	4071407	22164974.2	
4072789	C. & E. Fein GmbH	08/12/2020	4072789	20821175.5	German
4072840	Pirelli Tyre S.p.A.	24/11/2020	4072840	20842025.7	
4073045	Bracco Imaging SPA	09/12/2020	4073045	20816879.9	
4073264	Oxford University Innovation Limited	09/12/2020	4073264	20828067.7	
4073821	Framatome GmbH	12/12/2019	4073821	19831616.8	
4073996	TELEFONAKTIEBOLAGET LM ERICSSON (PUBL)	01/12/2020	4073996	20820588.0	
4074016	Unify Patente GmbH & Co. KG	10/12/2019	4074016	19818055.6	
4074281	Jang, Cheon Seok	01/12/2020	4074281	20898896.4	
4074385	OMA FITNESS EQUIPMENT CO., LTD.	26/08/2021	4074385	21193383.3	
4074391	Universal City Studios LLC	21/09/2016	4074391	22171048.6	
4074447	Yield Engineering Systems, Inc.	30/08/2022	4074447	22193015.9	
4074782	Axalta Coating Systems GmbH	12/04/2022	4074782	22168016.8	
4074871	Calik Denim Tekstil San. Ve Tic. A.S.	14/04/2021	4074871	21168379.2	
4075003	Aktiebolaget SKF	21/03/2022	4075003	22163126.0	
4076300	ConvaTec Limited	17/12/2020	4076300	20838190.5	
4076382	LTS Lohmann Therapie-Systeme AG	02/10/2020	4076382	20780762.9	
4076754	ABC Transfer	18/12/2020	4076754	20848858.5	French

(10/04/2024)

Journal of the Intellectual Property Office of Ireland

(No. 2513)

4076904	BASF SE	02/12/2020	4076904	20817332.8	
4077976	VOLVO TRUCK CORPORATION	18/12/2019	4077976	19832645.6	
4078112	WIPOTEC GmbH	18/12/2020	4078112	20842185.9	German
4078181	Blink AG	15/12/2020	4078181	20824932.6	
4078323	Cytiva Sweden AB	11/12/2020	4078323	20829824.0	
4079086	Qualcomm Incorporated	11/12/2020	4079086	20842360.8	
4080682	Huawei Technologies Co., Ltd.	21/09/2020	4080682	20914445.0	
4080912	Huawei Technologies Co., Ltd.	31/12/2019	4080912	19958709.8	
4081058	Philip Morris Products S.A.	19/11/2020	4081058	20807044.1	
4081078	SEB S.A.	22/12/2020	4081078	20838555.9	French
4081111	Koninklijke Philips N.V.	22/12/2020	4081111	20838544.3	
4081119	F. Hoffmann-La Roche AG	18/12/2020	4081119	20845260.7	
4081354	TGW Logistics Group GmbH	11/11/2020	4081354	20824423.6	German
4081834	Politecnico di Milano	15/12/2020	4081834	20824355.0	
4082826	Ningbo Geely Automobile Research & Development Co., Ltd. Zhejiang Geely Holding Group Co., Ltd.	28/04/2021	4082826	21171048.8	
4083328	Jiangsu Goldwind Science & Technology Co., Ltd.	10/10/2020	4083328	20904997.2	
4083355	REHAU Industries SE & Co. KG	31/03/2022	4083355	22165850.3	German
4083420	Nabtesco Corporation	26/04/2022	4083420	22169995.2	
4083901	Angel Playing Cards Co., Ltd.	17/11/2016	4083901	22180301.8	
4084450	Huawei Technologies Co., Ltd.	12/01/2021	4084450	21744641.8	
4085059	Accro Bioscience (HK) Limited Zhang, Xiaohu	04/01/2021	4085059	21736180.7	
4085182	HERRENKNECHT AKTIENGESELLSCHAFT	13/04/2021	4085182	21719108.9	German
4085438	Essence Smartcare Ltd.	30/12/2020	4085438	20842733.6	
4085575	ORACLE INTERNATIONAL CORPORATION	17/12/2020	4085575	20842464.8	
4085770	Daicel Corporation	22/12/2020	4085770	20966187.5	
4086304	Nio Technology (Anhui) Co., Ltd	29/03/2022	4086304	22165024.5	
4086760	Google LLC	13/12/2017	4086760	22177238.7	
4088296	Vimar S.p.A.	24/12/2020	4088296	20845622.8	
4088636	AKTIEBOLAGET ELECTROLUX	04/12/2015	4088636	22173809.9	
4088819	Sandvik Ltd	11/05/2021	4088819	21173175.7	

*(10/04/2024)**Journal of the Intellectual Property Office of Ireland**(No. 2513)*

4088893	KUKA Deutschland GmbH	11/05/2021	4088893	21173237.5	
4088986	Beger, Oliver	06/05/2022	4088986	22171990.9	German
4088987	Beger, Oliver	06/05/2022	4088987	22171987.5	German
4089364	Atlantic Inertial Systems Limited	11/05/2021	4089364	21275057.4	
4090429	McNeil AB	14/01/2021	4090429	21701924.9	
4090570	Valeo Schalter und Sensoren GmbH	16/12/2020	4090570	20837946.1	German
4090611	TGW Logistics Group GmbH	12/01/2021	4090611	21708905.1	German
4090961	DH Technologies Development Pte. Ltd.	14/01/2021	4090961	21703984.1	
4091841	The Goodyear Tire & Rubber Company	18/05/2022	4091841	22174165.5	
4091842	The Goodyear Tire & Rubber Company	18/05/2022	4091842	22174168.9	
4091913	DAF Trucks N.V.	18/05/2022	4091913	22174030.1	
4091944	Airbus SAS Airbus Operations (S.A.S.) Airbus Operations, S.L.	19/05/2022	4091944	22174215.8	French
4092223	BWT Pool Products	21/05/2021	4092223	21175193.8	French
4092308	Chiaravello, Flavio	17/05/2021	4092308	21174209.3	
4092631	Turner, Bradley John Edward	16/05/2022	4092631	22173562.4	
4093045	NXP B.V.	17/05/2021	4093045	21305641.9	
4093606	Societe ATCP (Application Technique des Caoutchoucs et des Plastiques)	21/01/2021	4093606	21706345.2	French
4093645	Knorr-Bremse Rail Systems (UK) Limited	22/01/2021	4093645	21701529.6	
4094850	Sandvik Ltd	27/05/2021	4094850	21176244.8	
4095418	Punch Powertrain N.V.	24/05/2022	4095418	22175082.1	
4095455	Valsir S.p.A. A Socio Unico	24/05/2022	4095455	22175182.9	
4095499	Shenzhen Huazhong University of Science and Technology Research Institute Huazhong University of Science and Technology	10/09/2021	4095499	21195909.3	
4095554	THALES	13/05/2022	4095554	22173159.9	French
4096861	Comau S.p.A.	27/01/2020	4096861	20712678.0	
4096881	HUSQVARNA AB	26/11/2020	4096881	20811339.9	

(10/04/2024)

Journal of the Intellectual Property Office of Ireland

(No. 2513)

4096950	Plastic Omnium Advanced Innovation And Research TOYOTA JIDOSHA KABUSHIKI KAISHA	29/01/2021	4096950	21701548.6	
4096972	Valeo Systèmes d'Essuyage	11/01/2021	4096972	21700295.5	French
4097173	ETH Zurich	05/03/2021	4097173	21708703.0	
4097197	OQ Chemicals GmbH	28/01/2021	4097197	21703625.0	German
4097355	Siemens Gamesa Renewable Energy A/S	03/03/2021	4097355	21711772.0	
4097505	Fraunhofer-Gesellschaft zur Förderung der angewandten Forschung e.V.	27/01/2021	4097505	21702436.3	German
4097514	American Sterilizer Company	19/01/2021	4097514	21705027.7	
4097630	MyScript	27/01/2021	4097630	21701156.8	
4097799	ROSENBERGER HOCHFREQUENZTECHNIK GMBH & CO. KG	26/01/2021	4097799	21702219.3	German
4097970	Dolby Laboratories Licensing Corporation	28/01/2021	4097970	21707539.9	
4098165	SEB S.A.	02/06/2022	4098165	22177081.1	French
4098451	Seiko Epson Corporation	30/05/2022	4098451	22176065.5	
4098526	ABUS August Bremicker Söhne KG	09/05/2022	4098526	22172250.7	German
4098860	AIRBUS OPERATIONS (S.A.S.)	28/04/2022	4098860	22170644.3	French
4098870	Liebherr-Mischtechnik GmbH	10/05/2022	4098870	22172479.2	German
4098871	Cifa S.P.A.	31/05/2022	4098871	22176517.5	
4099037	Beijing Xiaomi Mobile Software Co., Ltd.	29/12/2021	4099037	21218092.1	
4099401	Solarlab Aiko Europe GmbH	23/07/2021	4099401	21000195.4	
4100642	Borgwarner Luxembourg Automotive Systems SA	06/02/2021	4100642	21703920.5	
4101006	THALES Centre national de la recherche scientifique Université Paris-Saclay	04/02/2021	4101006	21702681.4	French
4101030	Saint-Gobain Glass France	05/02/2021	4101030	21708566.1	German
4101333	OBER ALP S.p.A. Scuola Superiore di Studi Universitari e di Perfezionamento Sant'Anna	10/06/2022	4101333	22178461.4	

(10/04/2024)

Journal of the Intellectual Property Office of Ireland

(No. 2513)

4102066	General Electric Renovables España S.L.	09/06/2021	4102066	21178568.8	
4102330	JOST-Werke Deutschland GmbH	09/06/2022	4102330	22020270.9	German
4103885	BSH Hausgeräte GmbH	21/01/2021	4103885	21701312.7	German
4104415	QUALCOMM INCORPORATED	08/02/2021	4104415	21710113.8	
4104982	Dr. Johannes Heidenhain GmbH Technische Hochschule Rosenheim	30/05/2022	4104982	22176111.7	German
4105040	Sumitomo Rubber Industries, Ltd.	09/05/2022	4105040	22172284.6	
4105041	Sumitomo Rubber Industries, Ltd.	12/05/2022	4105041	22172972.6	
4105051	Delmon Group	09/06/2022	4105051	22178008.3	French
4105059	HINO MOTORS, LTD. TOYOTA JIDOSHA KABUSHIKI KAISHA	15/06/2022	4105059	22179245.0	
4106745	HULKA S.R.L.	18/02/2021	4106745	21708575.2	
4106977	Axtra3D Incorporation Zitelli, Gianni	22/02/2021	4106977	21713486.5	
4107788	Solar Paste, LLC	10/02/2021	4107788	21710131.0	
4108419	General Electric Company	18/06/2022	4108419	22179766.5	
4108490	Huawei Digital Power Technologies Co., Ltd.	22/06/2022	4108490	22180316.6	
4108553	Benteler Automobiltechnik GmbH Volkswagen AG	05/07/2021	4108553	21183722.4	German
4108844	Calderaro, Maxime	16/06/2022	4108844	22179433.2	
4109055	Engelmann Sensor GmbH	31/05/2022	4109055	22176307.1	German
4109103	Institut für Bioprozess- und Analysenmesstechnik e.V.	22/06/2021	4109103	21180857.1	
4109199	Honeywell International Inc.	10/06/2022	4109199	22178415.0	
4109866	LaserSoft Imaging AG	02/12/2021	4109866	21211961.4	German
4110016	CRM ICBG (WUXI) CO., LTD.	22/11/2021	4110016	21913598.5	
4111105	Delyvin B.V.	17/02/2021	4111105	21709497.8	
4111432	Avery Dennison Retail Information Services LLC	25/02/2021	4111432	21713231.5	
4111852	Einhell Germany AG	01/06/2022	4111852	22176735.3	German
4111853	Einhell Germany AG	01/06/2022	4111853	22176737.9	German
4111854	Einhell Germany AG	01/06/2022	4111854	22176739.5	German
4112535	Scandinavian Innovation Group Oy	28/06/2021	4112535	21182069.1	
4112737	Vital Signs Solutions Limited	04/07/2022	4112737	22182918.7	

*(10/04/2024)**Journal of the Intellectual Property Office of Ireland**(No. 2513)*

4112875	IFP Energies nouvelles	23/06/2022	4112875	22180811.6	French
4113346	Secure Thingz Limited	07/02/2020	4113346	22190932.8	
4113443	Siemens Healthineers AG	29/06/2021	4113443	21182219.2	German
4114724	Safran Landing Systems	08/04/2021	4114724	21723883.1	French
4114742	I.M.A. Industria Macchine Automatiche S.p.A.	01/03/2021	4114742	21708396.3	
4115079	Siemens Gamesa Renewable Energy A/S	09/04/2021	4115079	21721850.2	
4115770	Qingdao Centaury Design Co., Ltd.	19/01/2022	4115770	22742169.0	
4115945	Medtronic Inc.	07/07/2022	4115945	22183489.8	
4116495	Aebi Schmidt Deutschland GmbH	07/07/2022	4116495	22183528.3	German
4116579	LM Wind Power A/S	07/07/2021	4116579	21184248.9	
4117210	Electronics And Telecommunications Research Institute	10/05/2011	4117210	22185375.7	
4117614	Henkel AG & Co. KGaA	05/01/2021	4117614	21701216.0	German
4117975	Siemens Mobility GmbH	27/04/2021	4117975	21725411.9	German
4118326	Siemens Gamesa Renewable Energy A/S	14/04/2021	4118326	21721857.7	
4119287	Working Process S.r.l.	08/06/2022	4119287	22177947.3	
4119718	Whirlpool Corporation	13/07/2021	4119718	21185451.8	
4119788	EurEK AS	05/07/2022	4119788	22183009.4	
4119831	Amex Sanivar AG	08/06/2022	4119831	22177854.1	German
4119929	Thermo Electron Scientific Instruments LLC	14/07/2022	4119929	22184914.4	
4120614	Apple Inc.	04/01/2017	4120614	22194143.8	
4121332	Siemens Mobility GmbH	05/05/2021	4121332	21728000.7	German
4121372	Automha S.p.A.	17/03/2021	4121372	21716550.5	
4121398	Corning Incorporated	24/02/2021	4121398	21713202.6	
4121779	SPINSIGHT ESN Digital GmbH	23/03/2022	4121779	22719214.3	German
4122228	QUALCOMM INCORPORATED	18/02/2021	4122228	21711680.5	
4122428	Warsaw Orthopedic, Inc.	16/06/2022	4122428	22179388.8	
4122470	Insmmed Incorporated	15/05/2015	4122470	22182229.9	
4123262	Dr.Ing. h.c. F. Porsche Aktiengesellschaft	23/07/2021	4123262	21020382.4	
4123940	Huawei Technologies Co., Ltd.	15/07/2015	4123940	22178080.2	
4124216	Telefonaktiebolaget LM Ericsson (publ)	18/12/2020	4124216	20929473.5	
4124613	Honeywell International Inc.	18/07/2022	4124613	22185526.5	

*(10/04/2024)**Journal of the Intellectual Property Office of Ireland**(No. 2513)*

4124933	HTC Corporation	06/05/2022	4124933	22172068.3	
4124994	Japan Aviation Electronics Industry, Limited	22/06/2022	4124994	22180315.8	
4125115	Huawei Technologies Co., Ltd.	25/07/2022	4125115	22186640.3	
4125258	Ricoh Company, Ltd.	13/07/2022	4125258	22184598.5	
4125498	Environment for Learning	26/03/2021	4125498	21716618.0	
4125709	Exocad GmbH	25/03/2021	4125709	21715548.0	
4125782	Unilever Global IP Limited	22/03/2021	4125782	21712554.1	
4126214	Siemens Healthineers International AG	26/03/2021	4126214	21716128.0	
4126257	Kellstrom IP Holdings, LLC	05/04/2021	4126257	21721735.5	
4126528	Saint-Gobain Glass France	30/03/2021	4126528	21721151.5	French
4126686	TECNOCAP SPA	05/08/2020	4126686	20750770.8	
4127301	IFP Energies nouvelles	23/03/2021	4127301	21713411.3	French
4127375	Mincon International Limited	25/03/2021	4127375	21712395.9	
4127387	Odfjell Technology Invest Ltd	03/04/2020	4127387	20719356.6	
4127592	WAIYS GmbH	25/03/2021	4127592	21716095.1	German
4127857	Crouzet	17/02/2021	4127857	21704594.7	French
4128337	Siemens Aktiengesellschaft	04/05/2021	4128337	21725434.1	German
4128762	Dolby Laboratories Licensing Corporation	01/04/2021	4128762	21720146.6	
4129848	Stanley Black & Decker MEA FZE	05/08/2021	4129848	21189875.4	
4130635	Airbus SAS AIRBUS OPERATIONS (S.A.S.)	08/07/2022	4130635	22183710.7	French
4130757	Yokogawa Electric Corporation	05/02/2019	4130757	22195147.8	
4131039	Hewlett-Packard Development Company, L.P.	03/08/2016	4131039	22198384.4	
4131242	LG Display Co., Ltd.	26/07/2022	4131242	22187103.1	
4132391	Lock-In SA	08/04/2021	4132391	21722106.8	French
4132760	SAFRAN AIRCRAFT ENGINES	24/03/2021	4132760	21732365.8	French
4132895	CHRYSO	08/04/2021	4132895	21715938.3	French
4133375	Huawei Technologies Co., Ltd.	28/05/2020	4133375	20729698.9	
4134167	2C Distribution	29/07/2022	4134167	22187832.5	French
4135498	Huawei Technologies Co., Ltd.	08/08/2022	4135498	22189300.1	
4135889	Activ' Biomat	13/04/2021	4135889	21726152.8	French
4135992	hofer powertrain innovation GmbH	06/09/2021	4135992	21762327.1	German
4136695	Manz Italy S.r.l.	14/04/2021	4136695	21726969.5	

*(10/04/2024)**Journal of the Intellectual Property Office of Ireland**(No. 2513)*

4136727	Siemens Gamesa Renewable Energy A/S	18/05/2021	4136727	21725230.3	
4137010	L&P Property Management Company	11/06/2019	4137010	22201106.6	
4138163	AVL Fuel Cell Canada Inc. AVL List GmbH	16/08/2021	4138163	21191497.3	
4138176	BORGWARNER EMISSIONS SYSTEMS SPAIN, S.L.U.	17/08/2021	4138176	21382762.9	
4138238	MD Elektronik GmbH	25/05/2022	4138238	22175326.2	German
4138259	TOYOTA JIDOSHA KABUSHIKI KAISHA	25/07/2022	4138259	22186725.2	
4139119	Millet Innovation	26/04/2021	4139119	21731553.0	French
4139168	VALEO VISION	22/04/2021	4139168	21719674.0	French
4139548	Kiekert AG	01/04/2021	4139548	21725015.8	German
4139946	HAGER-ELECTRO SAS	22/04/2021	4139946	21720478.3	French
4140010	JT International SA	13/04/2021	4140010	21717892.0	
4140270	Pöttinger Landtechnik GmbH	20/07/2022	4140270	22185917.6	German
4140667	Optima Life Science GmbH	04/08/2022	4140667	22188674.0	German
4140690	Lisa Dräxlmaier GmbH	22/08/2022	4140690	22191520.0	German
4141390	Wagner International AG	31/08/2021	4141390	21193945.9	German
4141781	Google LLC	09/04/2019	4141781	22202122.2	
4141850	Sagemcom Broadband SAS	06/08/2022	4141850	22189154.2	French
4142492	MC (US) 3 LLC	23/04/2021	4142492	21724960.6	
4142852	Advanced Medical Balloons GmbH	28/04/2021	4142852	21727548.6	German
4142853	Advanced Medical Balloons GmbH	28/04/2021	4142853	21727549.4	German
4143422	SAFRAN AIRCRAFT ENGINES	28/04/2021	4143422	21732951.5	French
4144331	Politecnico di Milano Fondazione Istituto Italiano di Tecnologia	06/09/2022	4144331	22194044.8	
4144452	Primetals Technologies Japan, Ltd.	12/08/2020	4144452	20949516.7	
4146930	Siemens Gamesa Renewable Energy A/S	21/06/2021	4146930	21734330.0	
4147001	NEXTER Systems	03/05/2021	4147001	21728289.6	French
4148153	Tanaka Kikinzoku Kogyo K.K.	13/07/2022	4148153	22184685.0	
4148210	Baugruppentechnik Pollmeier GmbH	07/09/2022	4148210	22194332.7	German
4148443	Samsung Electronics Co., Ltd.	26/07/2022	4148443	22186902.7	
4148459	Infineon Technologies AG	14/09/2021	4148459	21196466.3	
4148583	Accenture Global Solutions Limited	20/07/2022	4148583	22186121.4	

(10/04/2024)

Journal of the Intellectual Property Office of Ireland

(No. 2513)

4149291	Philip Morris Products S.A.	12/05/2021	4149291	21725738.5	
4149319	DYSON TECHNOLOGY LIMITED	29/03/2021	4149319	21716535.6	
4149803	Same Deutz-Fahr Italia S.p.A.	05/05/2021	4149803	21728119.5	
4150157	Trumer Schutzbauten GmbH	11/05/2021	4150157	21727090.9	German
4150291	Beissbarth Automotive Testing Solutions GmbH	29/04/2021	4150291	21723671.0	German
4151573	Durst Austria GmbH	03/08/2022	4151573	22020369.9	German
4151800	STRABAG Großprojekte GmbH	17/09/2021	4151800	21197486.0	German
4151807	Liebherr-Werk Biberach GmbH	02/05/2019	4151807	22205739.0	German
4151844	Garrett Transportation I Inc.	28/06/2022	4151844	22181597.0	
4154501	Telefonaktiebolaget LM ERICSSON (PUBL)	19/05/2021	4154501	21726409.2	
4155092	Seiko Epson Corporation	22/09/2022	4155092	22197023.9	
4155379	Sartorius Stedim Biotech GmbH	28/09/2021	4155379	21199594.9	
4155649	Alfa Laval Corporate AB	13/09/2019	4155649	22207981.6	
4155653	Alfa Laval Corporate AB	13/09/2019	4155653	22207983.2	
4155717	COMMISSARIAT À L'ÉNERGIE ATOMIQUE ET AUX ÉNERGIES ALTERNATIVES	22/09/2022	4155717	22197160.9	French
4156225	Huawei Digital Power Technologies Co., Ltd.	22/03/2019	4156225	22188382.0	
4156349	Airbus Operations GmbH	24/09/2021	4156349	21198725.0	
4156673	Honor Device Co., Ltd.	06/05/2022	4156673	22793379.3	
4156722	Nokia Technologies Oy	23/09/2021	4156722	21198597.3	
4156831	LG Electronics, Inc.	23/12/2019	4156831	22207000.5	
4157435	Sorin CRM SAS	25/05/2021	4157435	21728548.5	French
4157673	Stellantis Auto SAS	15/04/2021	4157673	21725975.3	French
4157722	Airbus Defence and Space SAS	25/05/2021	4157722	21728541.0	French
4158087	Autoliv Development AB	13/04/2021	4158087	21719564.3	German
4158758	SEW-EURODRIVE GmbH & Co. KG	18/05/2021	4158758	21726902.6	German
4159413	Nike Innovate C.V.	21/09/2016	4159413	22209425.2	
4162089	Constellium Isoire	31/05/2021	4162089	21734420.9	French
4162177	KNORR-BREMSE Systeme für Nutzfahrzeuge GmbH	14/05/2021	4162177	21727394.5	German
4163055	Stanley Black & Decker MEA FZE	07/10/2021	4163055	21201454.2	
4163144	Yazaki Corporation	06/10/2022	4163144	22200032.5	
4163543	Fives North American Combustion, Inc.	17/12/2021	4163543	22210954.8	

4163659	Schneider Electric USA, Inc.	29/09/2022	4163659	22198762.1	
4163688	Finisar Corporation	01/05/2017	4163688	22203323.5	
4163738	Louis Lang S.A.	08/10/2021	4163738	21201627.3	French
4164880	Saint-Gobain Glass France	31/05/2021	4164880	21729533.6	German
4164941	ABB SCHWEIZ AG	11/06/2020	4164941	20732212.4	
4165097	AGFA NV	25/05/2021	4165097	21726937.2	
4165626	AVAtronics SA	11/06/2021	4165626	21731801.3	
4165915	Telefonaktiebolaget LM Ericsson (publ)	10/06/2021	4165915	21733901.9	
4166116	Ottobock SE & Co. KGaA	14/05/2019	4166116	22211524.8	German
4166384	Contemporary Amperex Technology Co., Limited	25/08/2021	4166384	21912342.9	
4166952	Contemporary Amperex Technology Co., Limited	26/08/2021	4166952	21819710.1	
4167091	Samsung Electronics Co., Ltd.	28/09/2022	4167091	22198321.6	
4167812	Bravilor Bonamat BV	17/06/2021	4167812	21733586.8	
4168168	Coperion GmbH	10/06/2021	4168168	21732271.8	German
4170117	Roto Frank Fenster- und Türtechnologie GmbH	05/10/2022	4170117	22199800.8	German
4171326	Société des Produits Nestlé S.A.	04/06/2021	4171326	21730907.9	
4171327	Société des Produits Nestlé S.A.	04/06/2021	4171327	21730910.3	
4171332	Société des Produits Nestlé S.A.	04/06/2021	4171332	21730908.7	
4171333	Société des Produits Nestlé S.A.	04/06/2021	4171333	21730912.9	
4171793	CASALE SA	22/06/2021	4171793	21734142.9	
4172242	Dow Silicones Corporation Dow Global Technologies LLC	16/06/2021	4172242	21740325.2	
4172776	Huawei Technologies Co., Ltd.	23/07/2020	4172776	20746171.6	
4173506	JT International S.A.	29/10/2021	4173506	21205538.8	
4175318	JVC KENWOOD Corporation	13/10/2022	4175318	22201452.4	
4176347	Audi AG	23/07/2021	4176347	21749168.7	
4177236	Gruppo Concorde S.p.a.	19/10/2022	4177236	22202511.6	
4177578	VEGA Grieshaber KG	05/11/2021	4177578	21206634.4	German
4178814	RUD Ketten Rieger & Dietz GmbH u. Co. KG	28/06/2021	4178814	21737417.2	German
4180372	VAF GmbH	10/11/2021	4180372	21207564.2	German
4181313	VEGA Grieshaber KG	16/11/2021	4181313	21208497.4	German
4182126	Inbolt	03/05/2021	4182126	21732421.9	French
4183249	Bruckner, Otto	17/11/2022	4183249	22208037.6	German

*(10/04/2024)**Journal of the Intellectual Property Office of Ireland**(No. 2513)*

4185404	Topsoe A/S	15/07/2021	4185404	21745761.3	
4185459	Andritz AG	02/06/2021	4185459	21731936.7	German
4185617	ROQUETTE FRERES	14/07/2021	4185617	21745679.7	French
4186043	Signify Holding B.V.	13/07/2021	4186043	21745283.8	
4186106	M10 Solar Equipment GmbH	21/12/2021	4186106	21844277.0	German
4187192	Stoneage, Inc.	25/06/2021	4187192	22216434.5	
4188151	DYSON TECHNOLOGY LIMITED	21/07/2021	4188151	21749877.3	
4188719	Stellantis Auto SAS	31/05/2021	4188719	21734419.1	French
4193573	Robert Bosch GmbH	15/07/2021	4193573	21745770.4	German
4195423	Japan Aviation Electronics Industry, Ltd.	28/10/2022	4195423	22204370.5	
4195424	Japan Aviation Electronics Industry, Ltd.	28/10/2022	4195424	22204379.6	
4196308	FRONIUS INTERNATIONAL GmbH	11/08/2021	4196308	21758681.7	German
4196547	The Lubrizol Corporation	19/08/2021	4196547	21766794.8	
4197563	Lumitech Patentverwertung GmbH	16/12/2021	4197563	21215071.8	German
4199024	ABB SCHWEIZ AG	16/12/2021	4199024	21215257.3	
4199531	Sagemcom Energy & Telecom SAS	15/12/2022	4199531	22213837.2	French
4199991	Qufora A/S	20/08/2021	4199991	21765910.1	
4200093	ASK Chemicals GmbH	12/10/2022	4200093	22793664.8	German
4201712	PRIMO1D	30/09/2022	4201712	22199065.8	French
4202255	Nio Technology (Anhui) Co., Ltd	19/12/2022	4202255	22214634.2	
4202298	BECKETT THERMAL SOLUTIONS S.R.L.	20/12/2022	4202298	22214828.0	
4202433	Cokebusters Limited	09/12/2022	4202433	22275155.4	
4203270	ALSTOM Holdings	21/12/2022	4203270	22215391.8	French
4203416	NTT DoCoMo, Inc.	21/12/2021	4203416	21216470.1	
4204478	Wacker Chemie AG	17/11/2020	4204478	20808372.5	
4206071	Yamaha Hatsudoki Kabushiki Kaisha	21/12/2022	4206071	22215535.0	
4208883	ELECTRONICON KONDENSATOREN GMBH	14/10/2022	4208883	22801811.5	German
4214105	Malena Engineering, SL	28/10/2020	4214105	20800077.8	
4214465	Koninklijke Philips N.V.	08/09/2021	4214465	21773564.6	
4217651	Signify Holding B.V.	16/09/2021	4217651	21778032.9	
4218004	Huawei Technologies Co. Ltd.	20/10/2020	4218004	20957997.8	
4218502	NUC Electronics Co., Ltd.	24/01/2023	4218502	23153009.8	
4218961	Personality Gym AB	28/05/2020	4218961	23161264.9	

*(10/04/2024)**Journal of the Intellectual Property Office of Ireland**(No. 2513)*

4222170	OncoOne Research & Development GmbH	01/10/2021	4222170	21786863.7	
4222370	DANFOSS POWER SOLUTIONS (JIANGSU) CO., LTD.	16/12/2021	4222370	21831350.0	
4225265	Wacker Chemie AG	06/10/2020	4225265	20786546.0	German
4225711	Saint-Gobain Glass France	06/10/2021	4225711	21801157.5	French
4225847	Wacker Chemie AG	05/01/2021	4225847	21700831.7	
4226730	Telefonaktiebolaget LM Ericsson (publ)	09/10/2020	4226730	20789935.2	
4228829	TERDESOL SE	12/10/2021	4228829	21848186.9	
4228848	Bystronic Laser AG	15/10/2021	4228848	21794140.0	
4229223	Parox GmbH	14/10/2021	4229223	21789765.1	
4235073	ERLUS AKTIENGESELLSCHAFT	23/02/2022	4235073	22158314.9	German
4235732	JEOL Ltd.	13/02/2023	4235732	23156389.1	
4236826	Cilag GmbH International	26/10/2022	4236826	22797892.1	
4237218	Tobii AB	21/01/2022	4237218	22701264.8	
4237265	ADVANCED DESIGN SOLUTION	21/02/2022	4237265	22715521.5	
4238330	EVOCA S.p.A.	27/10/2021	4238330	21823657.8	
4239689	Solarlab Aiko Europe GmbH	17/06/2022	4239689	22000163.0	
4239878	Rolls-Royce plc	03/02/2023	4239878	23154929.6	
4239944	IDEMIA France	09/01/2023	4239944	23150780.7	French
4240181	Philip Morris Products S.A.	17/12/2021	4240181	21839216.5	
4244565	Magaldi Power S.P.A.	16/11/2020	4244565	20828840.7	
4249709	FAKRO PP Sp. z o.o.	21/03/2023	4249709	23163024.5	
4250732	Nokia Technologies Oy	06/01/2012	4250732	23191375.7	
4252002	PHARMISTA TECHNOLOGIES AB	01/07/2022	4252002	22744154.0	
4252730	Miele & Cie. KG	17/03/2023	4252730	23162497.4	German
4253927	Rolls-Royce plc	09/03/2023	4253927	23160860.5	
4262567	Koninklijke Philips N.V.	08/12/2021	4262567	21820636.5	
4271228	Koninklijke Philips N.V.	17/02/2022	4271228	22705410.3	
4274944	Favoni, Andrea	05/11/2021	4274944	21820683.7	
4281698	HUSQVARNA AB	16/12/2021	4281698	21839950.9	

Deemed to have been Withdrawn - Section 23(9)

S20230009 "A fluid delivery system". PALLIARE LIMITED
S20230010 "A baler". MCHALE ENGINEERING UNLIMITED COMPANY
S20230018 "A wheeled work vehicle". MULTIHOOG R & D LIMITED

Refused - Section 31(1)

20220047 Int. Cl. (2024.01)**F24C 15/00; F28D 15/00**. Thermal Energy Storage
System. COOPER, TIMOTHY PATRICK
S20230389 TRIP GUARD. LIAM CASEY
S20230407 The Fostering App. CLARE GLEESON

Withdrawn – Section 33(1)

S20210192 SYSTEM AND METHOD FOR USER ENGAGEMENT BASED ON
USER PROFILE. JONATAN USSING
S20230041 A Pharmacy Prescription Processing System. SCANLON, DAIRE
20230054 A pipehandler attachment. PEARSE GATELY
20230056 Mobile pipe laser target. PEARSE GATELY
S20230461 Active Engagement of Advertisements for Content Process. MATTHEW
GERAGHTY

Request for Grant of Supplementary Protection Certificate

The name and address of the requestor follow the number allocated to the request. The date in brackets following the name and address is the date of receipt of the request. The Patent number is that under which the product in respect of which a certificate is sought is, allegedly, protected. Market Authorisation references in respect of the product concerned are also shown.

- 2024005** GUERBET, 15, Rue des Vanesses, 93420 Villepinte, France
(07 March 2024)
Patent No: 1931673; COMPOUNDS COMPRISING SHORT
AMINOALCOHOL CHAINS AND METAL COMPLEXES FOR
MEDICAL IMAGING
Product: gadopiclenol
Market Authorisation: Ireland EU/1/23/1772, 07/12/2023
European Union EU/1/23/1772, 07/12/2023
- 2024006** DUKE UNIVERSITY, 2812 Erwin Road, Suite 306 Durham, North
Carolina 27705, United States of America
(05 March 2024)
Patent No: 3122426; TREATING BREAST CANCER USING
SELECTIVE ESTROGEN RECEPTOR MODULATORS
Product: Elacestrant or a salt thereof
Market Authorisation: Ireland EU/1/23/1757/001 and
EU/1/23/1757/002, 18/09/2023
European Union EU/1/23/1757/001 and EU/1/23/1757/002,
18/09/2023
- 2024007** JAPAN TOBACCO INC., 1-1, Toranomom 4-chome Minato-ku, 105-
6927 Tokyo, Japan
(14 March 2024)
Patent No: 3281939; COMBINATION COMPRISING A STABLE
CRYSTAL OF A 4-OXOQUINOLINE COMPOUND
Product: elvitegravir and tenofovir alafenamide
Market Authorisation: Ireland EU/1/15/1061, 23/11/2015
European Union EU/1/15/1061, 23/11/2015
- 2024008** AMBIT BIOSCIENCES CORPORATION, 211 Mount Airy Road
Basking Ridge, New Jersey 07920, United States of America
(20 March 2024)
Patent No: 2429524; Spray dried formulation of AC220
Product: Quizartinib
Market Authorisation: Ireland EU/1/23/1768, 07/11/2023
-

European Union EU/1/23/1768, 07/11/2023

Supplementary Protection Certificates Granted

The name and address of the grantee follows the number allocated to the application for grant of a certificate; this number applies also to the granted certificate. The date in brackets following the name and address is the date of grant of the certificate. The number of the basic Patent and the title of the invention are followed by the name of the product for which the certificate is granted. Market authorisation references in respect of the product concerned are also shown, followed by the date of expiry of the certificate.

2017011 KAI PHARMACEUTICALS, INC., 270 Littlefield Avenue, South San Francisco, CA 94080, United States of America
(14/03/2024)
Patent No: 2459208; THERAPEUTIC AGENTS FOR REDUCING PARATHYROID HORMONE LEVELS
Product: Etelcalcetide, or a salt thereof, including etelcalcetide hydrochloride
Market Authorisation: Ireland EU/1/16/1142/001-012, 11/11/2016
Certificate Expires on: 14/11/2031

Application for Extension of the Duration of a Supplementary Protection Certificate

The name and address of the applicant follow the number allocated to the Supplementary Protection Certificate (SPC). The date in brackets following the name and address is the date of receipt of the application for an extension of the duration of the SPC. The Patent number is that under which the product in respect of which an extension of the duration of the SPC is sought is, allegedly, protected. Market authorisation references in respect of the product concerned are also shown, followed by the original date of expiry of the certificate.

2014022 H. LUNDBECK A/S, Ottiliavej 9 2500 Valby, Copenhagen, Denmark
(12/03/2024)
Patent No: 1436271; PHENYL-PIPERAZINE DERIVATIVES AS SEROTONIN REUPTAKE INHIBITORS
Product: Vortioxetine or a pharmaceutically acceptable acid addition salt thereof
Market Authorisation: Ireland EU/1/13/891, 20/12/2013
Original SPC Expiry Date: 01/10/2027

2024007 JAPAN TOBACCO INC., 1-1, Toranomom 4-chome Minato-ku, 105-6927 Tokyo, Japan
(14/03/2024)

Patent No: 3281939; COMBINATION COMPRISING A STABLE CRYSTAL
OF A 4-OXOQUINOLINE COMPOUND

Product: elvitegravir and tenofovir alafenamide

Market Authorisation: Ireland EU/1/15/1061, 23/11/2015

European Union EU/1/15/1061, 23/11/2015

Original SPC Expiry Date:

Errata

Application for Extension of the Duration of a Supplementary Protection Certificate

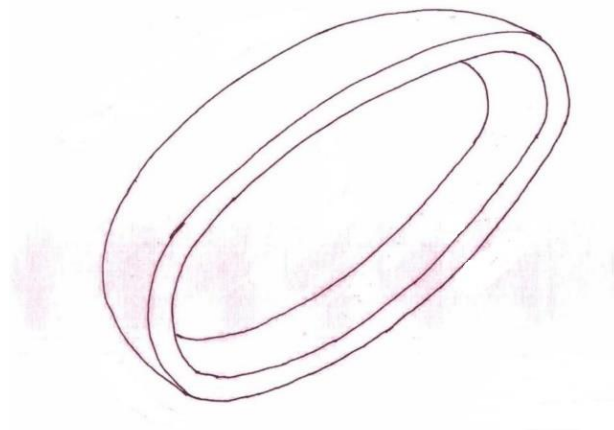
- 2016027** In Journal 2509 dated 14th February 2024 in the list of “Application for Extension of the Duration of a Supplementary Protection Certificate”, Supplementary Protection number 2016/027 was incorrectly published twice. The application should have been published only once as follows:
BIOVEX LIMITED, 69-70 Innovation Drive, Abingdon, Oxon OX14 4RQ,
United Kingdom
(22/01/2024)
Patent No: 1252322; HERPES VIRUS STRAINS FOR GENE THERAPY
Product: Talimogene laherparepvec
Market Authorisation: Ireland EU/1/15/1064/001 and EU/1/15/1064/002,
16/12/2015
Original SPC Expiry Date: 21/01/2026
-

Designs Registered Under The Industrial Designs Act, 2001

23579 25.02 DONEGAL AQUACULTURE SERVICES, ROSSYLONGAN, DONEGAL TOWN, DONEGAL F94N7X6, Ireland
Address for service is c/o DONEGAL AQUACULTURE SERVICES ROSSYLONGAN, DONEGAL TOWN, DONEGAL F94N7X6, Ireland

Date of Registration: 03 March 2023.

A Rotoflot device to support and float for oyster bags in the process of farming oysters. Made from high density plastic.



23580 13.03 Zhang Yi, RM802,NO.29,HongKou Street, TianHe district, 510000, Guangzhou city, China
Address for service is c/o Zhang Yi
C/o Luc Slabinck, 8200 Sint-Michiels, Belgium

Date of Registration: 12 November 2023.

Metal back box for 1 gang electrical sockets



23581 13.03 ZHANG YI, RM802,NO.29,HongKou Street, TianHe district, 510000
Guangzhou city, China
Address for service is c/o Zhang Yi
C/o Luc Slabinck, 8200 Sint-Michiels, Belgium

Date of Registration: 12 November 2023.

Metal back box for 2 gang electrical sockets



23582 11.02,11.05 Ailís Crowley, Mountain View, Liscahane, Ardferf V92 P5V0, Ireland
Address for service is c/o Ailís Crowley
Mountain View, Liscahane, Ardferf V92 P5V0, Ireland

Date of Registration: 12 March 2024.

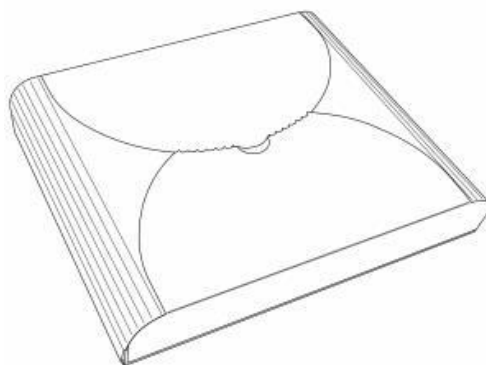
A bespoke unique figurine / Christmas decoration that encompasses the wrens day in dingle including the straw disguise (hat, necklace, and skirt), drum, Dingle sign and wren bird. The figurine has the county / street colours



23583 09.03 pladis (UK) Limited, Building 3, Chiswick Park, 566 Chiswick High Rd,
Chiswick, London W4 5YA, United Kingdom
Address for service is c/o Mark Carmody
Purdylucey Intellectual Property Ltd., 6-7 Harcourt Terrace, Dublin 2
D02FH73, Ireland

Date of Registration: 26 February 2024.

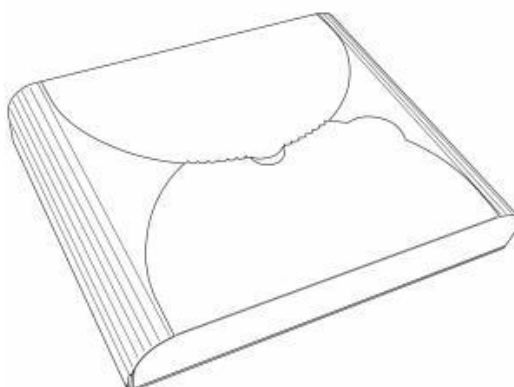
a packaging box
United Kingdom-01/09/2023



23584 09.03 pladis (UK) Limited, Building 3, Chiswick Park, 566 Chiswick High Rd,
Chiswick, London W4 5YA, United Kingdom
Address for service is c/o Mark Carmody
Purdylucey Intellectual Property Ltd., 6-7 Harcourt Terrace, Dublin 2
D02FH73, Ireland

Date of Registration: 26 February 2024.

a packaging box
United Kingdom-01/09/2023



23585 09.03 pladis (UK) Limited, Building 3, Chiswick Park, 566 Chiswick High Rd, Chiswick, London W4 5YA, United Kingdom
Address for service is c/o Mark Carmody
Purdylucey Intellectual Property Ltd., 6-7 Harcourt Terrace, Dublin 2
D02FH73, Ireland

Date of Registration: 26 February 2024.

a packaging box for which features of the packaging covered by blue shading (including text) are disclaimed from protection
United Kingdom-01/09/2023



23586 09.03 pladis (UK) Limited, Building 3, Chiswick Park, 566 Chiswick High Rd, Chiswick, London W4 5YA, United Kingdom
Address for service is c/o Mark Carmody
Purdylucey Intellectual Property Ltd., 6-7 Harcourt Terrace, Dublin 2
D02FH73, Ireland

Date of Registration: 26 February 2024.

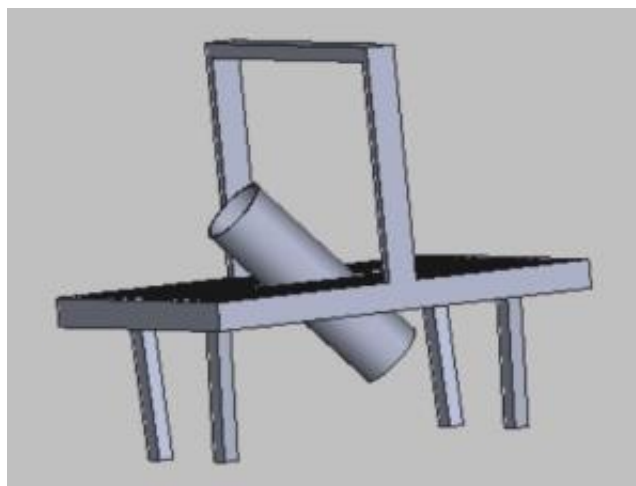
a packaging box for which features of the packaging covered by blue shading (including text) are disclaimed from protection
United Kingdom-01/09/2023



23587 23.01 Tankit, Moyaliffe, Ballycahill, Co. Tipperary E41DF79, Ireland
Address for service is c/o Tankit
Moyaliffe, Ballycahill, Co. Tipperary E41DF79, Ireland

Date of Registration: 09 March 2024.

Tankit is a steel portable cover for slurry pit manholes. It is placed into position while the slurry spreading activity is on-going. Tankit consists of a steel frame, box iron insert and steel swivel pipe. Its design also features a steel handle making it possible to lift it into and out of position by a tractor/loader. No manual lifting required.



23588 21.02 KEITH DAVIN, ROBINS HAVEN BALLINDONEY, BALLYWILLIAM,
ENNISCORTHY CO WEXFORD Y21 RX31, Ireland
Address for service is c/o KEITH DAVIN
ROBINS HAVEN BALLINDONEY, BALLYWILLIAM, ENNISCORTHY
CO WEXFORD Y21 RX31, Ireland

Date of Registration: 11 March 2024.

Hybrid pro series rack. The rack i have designed is the first one to feature a mono action top for squats with the ability to still use it for bench press as well so it is a hybrid of both. It is used in gyms and competitions so it can be used for bench press and adjusted with a loaded bar still on the hooks to different heights via a lever bar action much like a combo rack which are on the market but once you want to switch to squats the bench can be removed along with the bench saftey spotters to allow the rack now be used for squats from a solid set of hooks which adjust via the lever bars just like before or the mono action can be used which will pull back the squat hooks instead of the user stepping away from the hooks to perform the squat movement. The counterweight is lowered by lifting a small retaining handle which allows it to drop. There is an arm from the counterweight bracket to the front squat hooks so when lowering it pulls back the hooks. The counterweight is made to accept regular weight plates to make up the 5/7 kg weight needed to pull back the hooks. The main posts feature rollers machined to the numbered moving upright posts profile so they can raise and lower.



Iris um Oifig Maoine Intleachtúla na hÉireann
Journal of the Intellectual Property Office of Ireland

Cuid II
Trádmharcanna

No. 2513

Wednesday, 10 April, 2024

NOTE: *The office does not guarantee the accuracy of its publications nor undertake any responsibility for errors or omissions or their consequences.*

In this Part of the Journal, unless the context otherwise requires, a reference to the 1963 Act means the Trade Marks Act, 1963, a reference to the 1963 Rules means the Trade Marks Rules, 1963, a reference to the 1996 Act means the Trade Marks Act, 1996 and a reference to the 1996 Rules means the Trade Marks Rules, 1996.

Official Notice

Patent Rules 1992 – Rule 77, – Office Closure

The Intellectual Property office of Ireland (IPOI) will be closed for the transaction of business

on the following dates:

Monday 06th May 2024.

Application for Registration of marks published under Section 43(1) of the 1996 Act following acceptance

Notice is hereby given that Applications for the Registration of the undermentioned trade marks have been accepted.

Any person who desires to oppose the registration of these trade marks may within three months from the date of this Journal give notice to the Controller, in accordance with the provisions of Rule 18.

It should be noted that under the provisions of Rule 63(2) no extension of the opposition period is allowed for lodging opposition under Rule 18.

It is desirable before lodging formal opposition that a communication should be addressed to the Applicant affording him an opportunity to withdraw his application for registration. In this way cost of opposition proceedings may be avoided.

Problem Not Problem technique

270251 15 February 2024

Class 16. Instructional and Teaching
Material.

Jeremiah & Moira Geary, Delmoy Greenpark Avenue,
South Circular Road, Limerick V94EA3F, Ireland.
Address for service is c/o Jeremiah & Moira Geary,
Delmoy Greenpark Avenue, South Circular Road,
Limerick V94EA3F, Ireland.



270252 06 October 2023

Class 11. Coffee roasters.
Class 21. Coffee mugs; Coffee cups.
Class 30. Coffee; Ground coffee;
Coffee beans; Iced coffee;
Coffee beverages; Coffee
drinks; Cakes.
Class 43. Coffee shops.

CC & H Imperial T/A Boxd, 68a Oliver Plunkett St,
CORK T12 Y0Y8, Ireland. Address for service is c/o
CC & H Imperial T/A Boxd, C/o Michael Harding,
Oliver Plunkett St, CORK T12 Y0Y8, Ireland.

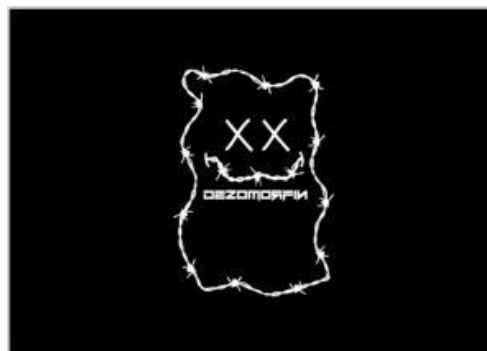
Fanka

270253 19 January 2024

- Class 18. Purses; Travelling cases; Backpacks; Pocket wallets; reusable shopping bags; Handbags; Travelling bags; Haversacks; Garment bags for travel; Key cases; Net bags for shopping; valises; bags for sports; toilet bags, not fitted.
- Class 25. Sweaters; pullovers; Shirts; Short-sleeve shirts; clothing; Ready-made clothing; Trousers; outerclothing; Knitwear [clothing]; jerseys [clothing]; Skirts; sports jerseys; Dresses; overcoats; Jackets [clothing]; Tee-shirts; Skorts; Sports singlets; Camisoles; boxer shorts; Underwear; Tights; Underpants; slippers [underclothing]; shoes; Soles for footwear; Heels; caps being headwear; Hosiery; sweat-absorbent socks; Scarfs; Sleep masks.
- Class 35. Direct mail advertising; Publicity; presentation of goods on communication media, for retail purposes; writing of publicity texts; outdoor advertising; online advertising on computer communication networks; Consumer research.

Shenzhen Star link Network Technology Co., Ltd., Room 201, Building A, No.1, Qianwan 1st Road, Qianhai Shenzhen Hong Kong Cooperation Zone, Shenzhen, China. Address for service is c/o Fiona Gorman, C/O F. F. Gorman & Co, 15 Clanwilliam Square, Dublin 2, Ireland.

The Application for Registration is proceeding with the consent of the Proprietors of European Union Trade Mark Registration No. 018705462



270254 27 October 2023

Class 41. Live Band performances

Kristaps Kriss Arajs, 27-31 Church street, LivStudent Accommodation, Muglins Room 5, Dublin D07RR82, Ireland. Address for service is c/o Kristaps Kriss Arajs, 27-31 Church Street, LivStudent Accommodation, Muglins Room 5, Dublin D07RR82, Ireland.

The mark in use is/will be in the colour(s) White writing and symbols on black background.

Doggy Dry

270255 15 February 2024

Class 31. Pet animals.
Class 44. Grooming (Pet -).

Daniel O Sullivan, Gortalinny north, Green lane, Kenmare V93d8p4, Ireland. Address for service is c/o Daniel O Sullivan, Gortalinny north, Green lane, Kenmare V93d8p4, Ireland.

The mark in use is/will be in the colour(s) blue Hex 0a57a2

WATERFORD UNITED FOOTBALL CLUB

270256 06 March 2024

Class 25. Sports jerseys; Sportswear.

Konnmusik Ltd, Lisnakill, Butlerstown, Waterford
X91 ACW4, Ireland. Address for service is c/o Trama
Legal s.r.o., Bottova 2A, 811 09 Bratislava, Slovakia.



270257 15 February 2024

Class 1. Chemical products and proteins for manufacturing chemical and biological pharmaceutical products; chemical products and proteins for the research of chemical and biological pharmaceutical products; chemical products and proteins for diagnostic use, except medical or veterinary uses; proteins and G-protein-coupled receptors for manufacturing pharmaceutical products; proteins and G-protein-coupled receptors for the research of pharmaceutical products; chemicals and proteins for chemical and

biological drug discovery, lead identification and diagnostics; proteins and G-protein-coupled receptors for drug discovery purposes; chemicals and biologicals, including proteins, transmembrane proteins and G proteins, G-protein-coupled receptors, and fragments thereof being sequences of amino acids, for chemical and biological drug discovery, lead identification and diagnostics; proteins, including transmembrane proteins and G-proteins, G-protein-coupled receptors, and fragments thereof being sequences of amino acids, for use in pharmaceutical research, including, drug discovery purposes.

Class 5. Pharmaceutical preparations; medicines; biological products for medical purposes, namely, G-protein coupled receptors, transmembrane proteins and parts thereof for use in chemical and biological drug discovery, lead identification, diagnostics and therapeutic purposes; biological and chemical products for medical use, namely, proteins, G-protein-coupled receptors, modulators of G-protein coupled receptors, transmembrane proteins, G-proteins, antibodies and peptides and parts thereof, for therapeutic purposes; chemicals, proteins and parts thereof for use in medical diagnostics; biological products for use in chemical and biological drug discovery, lead identification and diagnostics; biological products for therapeutic purposes; biological formulation for developing chemical and biological pharmaceutical products; biological formulation for identifying lead chemical and biological products; biological

formulation for diagnostic use; biological formulation for therapeutic use; proteins and G-protein-coupled receptors for drug discovery purposes; biologicals and small chemical entities, including proteins, G-protein-coupled receptors, modulators of G-protein coupled receptors, transmembrane proteins, G-proteins, antibodies and peptides for therapeutic purposes; proteins, G-protein-coupled receptors, transmembrane proteins, G-proteins, antibodies and peptides for use in medical diagnostics.

Class 35. Business management, organisation and administration in the field of chemical products, biological products, pharmaceuticals, design and development of drugs, drug discovery; business management, organisation and administration in the field of research and development services in the pharmaceutical and biopharmaceutical fields, including technologies related to proteins and G-protein-coupled receptors; retail and wholesale services connected with the sale of pharmaceuticals, biological products and chemical and biological preparations.

Class 42. Drug and pharmaceutical discovery services; biotechnology, pharmaceutical, chemical and medical testing, research, development, advice, consultancy and information services; research and development services in the pharmaceutical and biopharmaceutical fields, including technologies related to proteins and G-protein-coupled receptors; pharmaceutical research services in chemical and biological drug discovery and development; research and

development services for identifying lead chemical compounds; examination and research services in medicinal and synthetic chemistry; research and development services in the creation of libraries or collections of biologicals, chemicals and compounds; research, creation, development and provision of chemical and biological drug targets for screening purposes; research, analysis and examination for identification of compounds through automated screening processes; research and development services in chemical and biological pharmaceutical development; medical laboratory services; provision of information, advisory services and consultancy relating to the aforesaid services.

Class 44. Pharmaceutical services; pharmaceutical advice and consultancy for medical purposes; providing information relating to diagnostic, prophylactic and therapeutic properties of pharmaceuticals; research, creation, development and provision of chemical and biological drug targets for medical screening purposes; all of the aforesaid relating to drug discovery and use of G-protein-coupled receptors in the design and development of pharmaceutical products.

Priority Date Claimed: 09 February 2024 United Kingdom

Sosei Group Corporation, PMO Hanzomon 11F, 2-1 Kojimachi, Chiyoda-ku, Tokyo 102-0083, Japan. Address for service is c/o FRKelly, Waterways House, Grand Canal Quay, Dublin D02 PD39, Ireland.

1.1:



2.1:



Application is for a Series of 2 Trade Marks.

270258 05 February 2024

Class 9. Recorded and downloadable computer software, middleware, and firmware for management and maintenance of connected machines in the nature of computers, networked devices in the nature of wireless communication devices, vehicles, computer systems, and sensors in the nature of temperature, humidity, light, atmospheric, pressure, accelerometer, gyroscope, magnetometer sensors; Computer hardware and downloadable computer software for IoT connected devices; Recorded and downloadable computer software, middleware, and firmware for management and maintenance of connected machines in the nature of computers and wireless communication devices, computer systems, and sensors in the nature of temperature, humidity, light, atmospheric, pressure, accelerometer, gyroscope, magnetometer sensors, all with artificial intelligence capabilities and deep learning technologies; Recorded and downloadable computer software, middleware, and

firmware for connecting, operating, and managing connected machines in the nature of computers, networked devices in the nature of wireless communication devices, vehicles, computer systems, and sensors in the nature of temperature, humidity, light, atmospheric, pressure, accelerometer, gyroscope, magnetometer sensors, and appliances in the internet of things (IoT); Recorded and downloadable computer software, middleware, and firmware for connecting, operating, and managing connected machines in the nature of computers, networked devices in the nature of wireless communication devices, vehicles, computer systems, and sensors in the nature of temperature, humidity, light, atmospheric, pressure, accelerometer, gyroscope, magnetometer sensors, in the internet of things (IoT), all with artificial intelligence capabilities and deep learning technologies; Cameras; Cameras with artificial intelligence capabilities and deep learning technologies; Cameras with artificial intelligence capabilities and deep learning technologies for intelligent observation, detection, and collision avoidance; Cameras for vehicles; Rearview cameras for vehicles; Navigation cameras for vehicles; Computer hardware and downloadable computer software for control of autonomous vehicles; Collision avoidance systems for autonomous vehicles comprised of cameras, computer hardware, and downloadable software with artificial intelligence and deep learning technology features

for intelligent observation, detection, and collision avoidance; Computer programs, namely, recorded and downloadable software for artificial intelligence and deep learning technology applications for managing and analyzing data derived from IOT connected devices; Recorded and downloadable computer software and firmware for operating system programs; recorded computer firmware for artificial intelligence and deep learning technologies for managing and analyzing data derived from IOT connected devices; Microcontrollers for internet of things (IoT) enabled devices; Recorded and downloadable computer software and firmware for use in cargo volume detection and measurement including autonomously determining the volumetric fill level of a trailer or container.

Class 42.

Providing temporary use of non-downloadable cloud based software for management and maintenance of connected machines in the nature of computers and wireless communication devices, computer systems, and sensors in the nature of temperature, humidity, light, atmospheric, pressure, accelerometer, gyroscope, magnetometer sensors; Providing temporary use of non-downloadable cloud based software for management and maintenance of connected machines in the nature of computers and wireless communication devices, computer systems, and sensors in the nature of temperature, humidity, light, atmospheric, pressure, accelerometer, gyroscope, magnetometer sensors, all with artificial intelligence capabilities and deep learning

technologies; Providing temporary use of non-downloadable cloud-based software for connecting, operating, and managing networked devices including computers and wireless communication devices, vehicles, computer systems, and sensors in the nature of temperature, humidity, light, atmospheric, pressure, accelerometer, gyroscope, magnetometer sensors, all in the internet of things (IoT); Providing temporary use of non-downloadable cloud-based software for connecting, operating, and managing networked devices in the nature of computers and wireless communication devices, vehicles, computer systems, and sensors in the nature of temperature, humidity, light, atmospheric, pressure, accelerometer, gyroscope, magnetometer sensors, all in the internet of things (IoT) with artificial intelligence capabilities and deep learning technologies; providing temporary use of online, non-downloadable computer firmware for artificial intelligence and deep learning technologies for managing and analyzing data derived from IOT connected devices.

TAOGLAS GROUP HOLDINGS LIMITED, Unit 5
 Kilcannon Business Park, Old Dublin Road,
 Enniscorthy, Co. Wexford Y21XW56, Ireland.
 Address for service is c/o Fernando Di Blasi, Kilburn
 & Strode LLP, Laapersveld 75, 1213 VB Hilversum,
 The Netherlands.

1.1:



2.1:



Application is for a Series of 2 Trade Marks.

270259 05 February 2024

Class 9. Recorded and downloadable computer software, middleware, and firmware for management and maintenance of connected machines in the nature of computers, networked devices in the nature of wireless communication devices, vehicles, computer systems, and sensors in the nature of temperature, humidity, light, atmospheric, pressure, accelerometer, gyroscope, magnetometer sensors; Computer hardware and downloadable computer software for IoT connected devices; Recorded and downloadable computer software, middleware, and firmware for management and maintenance of connected machines in the nature of computers and wireless

communication devices, computer systems, and sensors in the nature of temperature, humidity, light, atmospheric, pressure, accelerometer, gyroscope, magnetometer sensors, all with artificial intelligence capabilities and deep learning technologies; Recorded and downloadable computer software, middleware, and firmware for connecting, operating, and managing connected machines in the nature of computers, networked devices in the nature of wireless communication devices, vehicles, computer systems, and sensors in the nature of temperature, humidity, light, atmospheric, pressure, accelerometer, gyroscope, magnetometer sensors, and appliances in the internet of things (IoT); Recorded and downloadable computer software, middleware, and firmware for connecting, operating, and managing connected machines in the nature of computers, networked devices in the nature of wireless communication devices, vehicles, computer systems, and sensors in the nature of temperature, humidity, light, atmospheric, pressure, accelerometer, gyroscope, magnetometer sensors, and appliances in the internet of things (IoT), all with artificial intelligence capabilities and deep learning technologies; Cameras; Cameras with artificial intelligence capabilities and deep learning technologies; Cameras with artificial intelligence capabilities and deep learning technologies for intelligent observation, detection, and collision avoidance; Cameras for vehicles; Rearview cameras for vehicles; Navigation

cameras for vehicles;
 Computer hardware and downloadable computer software for control of autonomous vehicles;
 Collision avoidance systems for autonomous vehicles comprised of cameras, computer hardware, and downloadable software with artificial intelligence and deep learning technology features for intelligent observation, detection, and collision avoidance;
 Computer programs, namely, recorded and downloadable software for artificial intelligence and deep learning technology applications for managing and analyzing data derived from IOT connected devices;
 Recorded and downloadable computer software and firmware for operating system programs; recorded computer firmware for artificial intelligence and deep learning technologies for managing and analyzing data derived from IOT connected devices;
 Microcontrollers for internet of things (IoT) enabled devices;
 Recorded and downloadable computer software and firmware for use in cargo volume detection and measurement including autonomously determining the volumetric fill level of a trailer or container.

Class 42. Providing temporary use of non-downloadable cloud based software for management and maintenance of connected machines in the nature of computers and wireless communication devices, computer systems, and sensors in the nature of temperature, humidity, light, atmospheric, pressure, accelerometer, gyroscope, magnetometer sensors;
 Providing temporary use of non-downloadable cloud based software for

management and maintenance of connected machines in the nature of computers and wireless communication devices, computer systems, and sensors in the nature of temperature, humidity, light, atmospheric, pressure, accelerometer, gyroscope, magnetometer sensors, all with artificial intelligence capabilities and deep learning technologies;
 Providing temporary use of non-downloadable cloud-based software for connecting, operating, and managing networked devices including computers and wireless communication devices, vehicles, computer systems, and sensors in the nature of temperature, humidity, light, atmospheric, pressure, accelerometer, gyroscope, magnetometer sensors, all in the internet of things (IoT);
 Providing temporary use of non-downloadable cloud-based software for connecting, operating, and managing networked devices in the nature of computers and wireless communication devices, vehicles, computer systems, and sensors in the nature of temperature, humidity, light, atmospheric, pressure, accelerometer, gyroscope, magnetometer sensors, all in the internet of things (IoT) with artificial intelligence capabilities and deep learning technologies;
 providing temporary use of online, non-downloadable computer firmware for artificial intelligence and deep learning technologies for managing and analyzing data derived from IOT connected devices.

TAOGLAS GROUP HOLDINGS LIMITED, Unit 5
 Kilcannon Business Park, Old Dublin Road,
 Enniscorthy, Co. Wexford Y21XW56, Ireland.
 Address for service is c/o Fernando Di Blasi, Kilburn

& Strode LLP, Laapersveld 75, 1213 VB Hilversum,
The Netherlands.



270260 24 November 2023

Class 35. Wholesale and retail services, including the same via online retail services, relating to the following goods: meat, fish, poultry and game, meat extracts, preserved, frozen, dried and cooked fruits and vegetables, fresh fruit and vegetables, dried beans, cooked beans, canned beans, preserved beans, bean curd, jellies, jams, compotes, eggs, dairy products, oils and fats for foods, rice, noodles, pasta, coffee, tea, cocoa, flour and preparations made from cereals, bread, pastries and confectionery, biscuits, cakes, chocolate, ice cream, sorbets and edible ices, sugar, honey, treacle, yeast, baking-powder, salts, seasonings, flavourings and condiments, spices, preserved herbs, sauces, vinegars, canned fruit and vegetables, almonds, peanuts, cashew nuts, pecan nuts, walnuts, seeds, snack foods based on beans, dates and

nuts, beers, non-alcoholic beverages, mineral and aerated waters, fruit beverages and fruit juices, syrups and other non-alcoholic preparations for making beverages, kitchen utensils, tableware, cutlery, cookware, packaging products, household and kitchen goods, hygienic articles, washing and cleaning preparations, cosmetics, medicines, textile goods.

H B V (IRELAND) LIMITED, 18 Drury Street, Dublin 2 D02 W017, Ireland. Address for service is c/o Anne Ryan & Co, 2 Crofton Terrace, Dun Laoghaire, Co. Dublin, A96 V6P7, Ireland.

Translation is Ya Zhou Hang Transliteration of the symbols is Asia store market.

The mark in use is/will be in the colour(s) Black, yellow and white.

D'naleri

270261 29 February 2024

Class 16. Books.

Jonathan Madden, Ballyleen, Tynagh Loughrea, Galway H62X067, Ireland. Address for service is c/o Jonathan Madden, Ballyleen, Tynagh Loughrea, Galway H62X067, Ireland.

ARAN LEIGH

270262 22 February 2024

- Class 4. Candles; candle torches; illuminants; fuels; wicks for lighting.
- Class 14. Precious metals and their alloys; precious stones; jewellery; horological and chronometric instruments; Watches and clocks; Bands for watches; Statues and figurines, made of or coated with precious or semi-precious metals or stones, or imitations thereof; Ornaments [jewellery]; Trinkets [jewellery]; Coins; Works of art of precious metal; Key rings; Key chains [trinkets or fobs]; Jewellery boxes and watch boxes; Parts and fittings for jewellery; Parts and fittings for watches.
- Class 18. Bags; Luggage; Handbags; Wallets; Purses; Umbrellas; Leather and imitations of leather; animal skins and hides; walking sticks; Saddlery, whips and apparel for animals; collars; leashes and clothing for animals.
- Class 21. Household or kitchen utensils and containers; combs and sponges; brushes (except paint brushes); brush-making materials; articles for cleaning purposes; steelwool; unworked or semi-worked glass (except glass used in building); glassware, porcelain and earthenware not included in other classes.
- Class 24. Textiles and substitutes for textiles; bed covers; table covers; Bed clothes and blankets; Quilted blankets [bedding]; Textile goods for use as bedding; Pillowcases; Pillow covers; Household linen; Kitchen and table linens; Table napkins of textile; Table mats (not of paper).
- Class 25. Clothing; Gloves; Scarves; Headwear; Hats; Footwear.
- Class 28. Toys, games, and playthings; toys; stuffed toys; soft toys; decorations for Christmas trees; Festive decorations, party novelties and artificial Christmas trees; Christmas decorations; Christmas tree ornaments; Christmas crackers; snow globes; gymnastic and sporting articles.
- Class 35. Marketing; Advertising and promotion; Retail services and online retail services in relation to books, diaries, magazines, prints, posters, pictures, picture frames, stationery, cards, gift cards, greeting cards, precious metals and their alloys, precious stones, jewellery, horological and chronometric instruments, watches and clocks, bands for watches, ornaments, Trinkets [jewellery], coins, Works of art of precious metal, Key rings, Key chains [trinkets or fobs], Jewellery boxes and watch boxes, Parts and fittings for jewellery, Parts and fittings for watches; Retail services and online retail services in relation to clothing, hats, gloves, scarves, footwear, headgear, hats, sportswear, children's clothing, clothing accessories, scarves, fashion accessories, wallets, purses, luggage, bags, handbags, umbrellas, sunglasses, walking sticks, animal skins and hides, walking sticks, Saddlery, whips and apparel for animals, collars, leashes and clothing for animals, protective covers and cases for mobile phones, music compact discs; Retail services and online retail services in relation to blankets, duvets, pillows, throws, linen, towels,

bed and table covers, textiles, lace and embroidery, lighting, lamps, furniture, furnishings, tableware, plates, saucers, ceramics, cups, mugs, soft furnishings, table mats, cutlery, crockery, household and kitchen crockery, household and kitchen utensils, household and kitchen containers, porcelain ware, glassware, earthenware, pottery, crystal [glassware], cookware; Retail services and online retail services in relation to candles, candle holders, diffusers, mirrors, food, beverages, flowers, toiletries, cosmetics, creams (cosmetic), fragrances, perfume, crafts, potpourri, heraldics, souvenirs, rugs, festive decorations, Christmas decorations, Christmas ornaments, Christmas lights, synthetic Christmas trees, Christmas crackers, snow globes, gift paper, statues, figurines, toys, stuffed toys, soft toys, and consumer electronics; Retail services relating to food and drink; Retail services and online retail services in relation to Textiles and substitutes for textiles, bed covers, table covers, Bed clothes and blankets, Quilted blankets [bedding], Textile goods for use as bedding, Pillowcases, Pillow covers, Household linen, Kitchen and table linens, Table napkins of textile, Table mats (not of paper); Retail services and online retail services in relation to gymnastic and sporting articles.

Camco Retail Limited, Office 8, Ashleaf Business Centre, Dublin 12, Ireland. Address for service is c/o Camco Retail Limited, C/O Gary Conway, Office 8, Ashleaf Business Centre, Dublin 12, Ireland.

1.1:



2.1:



3.1:



Application is for a Series of 3 Trade Marks.

270263 18 October 2023

- Class 9. Video recordings; video films; pre-recorded videos.
- Class 16. Notebooks; pens.
- Class 18. Bags.
- Class 25. Shirts; T-shirts; wristbands; hats; hijabs.
- Class 26. Badges.
- Class 38. Online forums.

Class 41. Creation of educational content; conferences for organisation of educational and cultural purposes; training for educational purposes; workshops for educational purposes; coaching.

GORM MEDIA DAC, Blessington Rd, Tallaght, Dublin 24, D24 KV8N, Ireland. Address for service is c/o Alison Peate, Artur Cox, Ten, Earlsfort Terrace, Dublin 2, D02 T380, Ireland.

The first mark in the series will be in the colour Neon Blue (HEX: #191DC8) and white (HEX: #FFFFFF) ; the second mark in the series will be in the colour Baby Blue (HEX: #AFE3E4) and white (HEX: #FFFFFF); the third mark in the series will be in the colour white (HEX: #FFFFFF) and black (HEX: #000000).



270264 15 February 2024

Class 1. Chemical products and proteins for manufacturing chemical and biological pharmaceutical products; chemical products and proteins for the research of chemical and biological pharmaceutical products; chemical products and proteins for diagnostic use, except medical or veterinary uses; proteins and G-protein-coupled receptors for manufacturing pharmaceutical products; proteins and G-protein-coupled receptors for the research of pharmaceutical products; chemicals and proteins for chemical and biological drug discovery,

lead identification and diagnostics; proteins and G-protein-coupled receptors for drug discovery purposes; chemicals and biologicals, including proteins, transmembrane proteins and G proteins, G-protein-coupled receptors, and fragments thereof being sequences of amino acids, for chemical and biological drug discovery, lead identification and diagnostics; proteins, including transmembrane proteins and G-proteins, G-protein-coupled receptors, and fragments thereof being sequences of amino acids, for use in pharmaceutical research, including, drug discovery purposes.

Class 5. Pharmaceutical preparations; medicines; biological products for medical purposes, namely, G-protein coupled receptors, transmembrane proteins and parts thereof for use in chemical and biological drug discovery, lead identification, diagnostics and therapeutic purposes; biological and chemical products for medical use, namely, proteins, G-protein-coupled receptors, modulators of G-protein coupled receptors, transmembrane proteins, G-proteins, antibodies and peptides and parts thereof, for therapeutic purposes; chemicals, proteins and parts thereof for use in medical diagnostics; biological products for use in chemical and biological drug discovery, lead identification and diagnostics; biological products for therapeutic purposes; biological formulation for developing chemical and biological pharmaceutical products; biological formulation for identifying lead chemical and biological products; biological formulation for diagnostic

- use; biological formulation for therapeutic use; proteins and G-protein-coupled receptors for drug discovery purposes; biologicals and small chemical entities, including proteins, G-protein-coupled receptors, modulators of G-protein coupled receptors, transmembrane proteins, G-proteins, antibodies and peptides for therapeutic purposes; proteins, G-protein-coupled receptors, transmembrane proteins, G-proteins, antibodies and peptides for use in medical diagnostics.
- Class 35. Business management, organisation and administration in the field of chemical products, biological products, pharmaceuticals, design and development of drugs, drug discovery; business management, organisation and administration in the field of research and development services in the pharmaceutical and biopharmaceutical fields, including technologies related to proteins and G-protein-coupled receptors; retail and wholesale services connected with the sale of pharmaceuticals, biological products and chemical and biological preparations.
- Class 42. Drug and pharmaceutical discovery services; biotechnology, pharmaceutical, chemical and medical testing, research, development, advice, consultancy and information services; research and development services in the pharmaceutical and biopharmaceutical fields, including technologies related to proteins and G-protein-coupled receptors; pharmaceutical research services in chemical and biological drug discovery and development; research and development services for identifying lead chemical compounds; examination and research services in medicinal and synthetic chemistry; research and development services in the creation of libraries or collections of biologicals, chemicals and compounds; research, creation, development and provision of chemical and biological drug targets for screening purposes; research, analysis and examination for identification of compounds through automated screening processes; research and development services in chemical and biological pharmaceutical development; medical laboratory services; provision of information, advisory services and consultancy relating to the aforesaid services.
- Class 44. Pharmaceutical services; pharmaceutical advice and consultancy for medical purposes; providing information relating to diagnostic, prophylactic and therapeutic properties of pharmaceuticals; research, creation, development and provision of chemical and biological drug targets for medical screening purposes; all of the aforesaid relating to drug discovery and use of G-protein-coupled receptors in the design and development of pharmaceutical products.
- Priority Date Claimed: 09 February 2024 United Kingdom
- Sosei Group Corporation, PMO Hanzomon 11F, 2-1 Kojimachi, Chiyoda-ku, Tokyo 102-0083, Japan. Address for service is c/o FRKelly, Waterways House, Grand Canal Quay, Dublin D02 PD39, Ireland.

A Retirement full of possibilities

270265 02 February 2024

Class 41. Training courses.

Redbrickhr Consulting LTD, 20 John Dillon Street, Dublin D08 F7 Y2, Ireland. Address for service is c/o Redbrickhr Consulting LTD, C/O Gerard Browne, 20 John Dillon Street, Dublin D08 F7 Y2, Ireland.

The mark in use is/will be in the colour(s) Black



270266 15 February 2024

Class 1. Chemical products and proteins for manufacturing chemical and biological pharmaceutical products; chemical products and proteins for the research of chemical and biological pharmaceutical products; chemical products and proteins for diagnostic use, except medical or veterinary uses; proteins and G-protein-coupled receptors for manufacturing pharmaceutical products; proteins and G-protein-coupled receptors for the research of pharmaceutical products; chemicals and proteins for chemical and biological drug discovery, lead identification and diagnostics; proteins and G-protein-coupled receptors for drug discovery purposes;

chemicals and biologicals, including proteins, transmembrane proteins and G proteins, G-protein-coupled receptors, and fragments thereof being sequences of amino acids, for chemical and biological drug discovery, lead identification and diagnostics; proteins, including transmembrane proteins and G-proteins, G-protein-coupled receptors, and fragments thereof being sequences of amino acids, for use in pharmaceutical research, including, drug discovery purposes.

Class 5. Pharmaceutical preparations; medicines; biological products for medical purposes, namely, G-protein coupled receptors, transmembrane proteins and parts thereof for use in chemical and biological drug discovery, lead identification, diagnostics and therapeutic purposes; biological and chemical products for medical use, namely, proteins, G-protein-coupled receptors, modulators of G-protein coupled receptors, transmembrane proteins, G-proteins, antibodies and peptides and parts thereof, for therapeutic purposes; chemicals, proteins and parts thereof for use in medical diagnostics; biological products for use in chemical and biological drug discovery, lead identification and diagnostics; biological products for therapeutic purposes; biological formulation for developing chemical and biological pharmaceutical products; biological formulation for identifying lead chemical and biological products; biological formulation for diagnostic use; biological formulation for therapeutic use; proteins and G-protein-coupled receptors for drug discovery purposes;

- biologicals and small chemical entities, including proteins, G-protein-coupled receptors, modulators of G-protein coupled receptors, transmembrane proteins, G-proteins, antibodies and peptides for therapeutic purposes; proteins, G-protein-coupled receptors, transmembrane proteins, G-proteins, antibodies and peptides for use in medical diagnostics.
- Class 35. Business management, organisation and administration in the field of chemical products, biological products, pharmaceuticals, design and development of drugs, drug discovery; business management, organisation and administration in the field of research and development services in the pharmaceutical and biopharmaceutical fields, including technologies related to proteins and G-protein-coupled receptors; retail and wholesale services connected with the sale of pharmaceuticals, biological products and chemical and biological preparations.
- Class 42. Drug and pharmaceutical discovery services; biotechnology, pharmaceutical, chemical and medical testing, research, development, advice, consultancy and information services; research and development services in the pharmaceutical and biopharmaceutical fields, including technologies related to proteins and G-protein-coupled receptors; pharmaceutical research services in chemical and biological drug discovery and development; research and development services for identifying lead chemical compounds; examination and research services in medicinal and synthetic chemistry;
- research and development services in the creation of libraries or collections of biologicals, chemicals and compounds; research, creation, development and provision of chemical and biological drug targets for screening purposes; research, analysis and examination for identification of compounds through automated screening processes; research and development services in chemical and biological pharmaceutical development; medical laboratory services; provision of information, advisory services and consultancy relating to the aforesaid services.
- Class 44. Pharmaceutical services; pharmaceutical advice and consultancy for medical purposes; providing information relating to diagnostic, prophylactic and therapeutic properties of pharmaceuticals; research, creation, development and provision of chemical and biological drug targets for medical screening purposes; all of the aforesaid relating to drug discovery and use of G-protein-coupled receptors in the design and development of pharmaceutical products.

Priority Date Claimed: 09 February 2024 United Kingdom

Sosei Group Corporation, PMO Hanzomon 11F, 2-1 Kojimachi, Chiyoda-ku, Tokyo 102-0083, Japan.
Address for service is c/o FRKelly, Waterways House, Grand Canal Quay, Dublin D02 PD39, Ireland.

LEARNING TO EXHALE

270267 07 March 2024

Class 41. Information (Education -); Educational instruction; Educational demonstrations; Educational seminars; Educational consultancy; Online education services; Team building (education); Physical-education services; Dietary education services; Management education services; Medical education services; Education and training; Education and instruction; Adult education services; Business educational services; Educational information services; Provision of education courses; Education, teaching and training; Teaching of diet education; English language education services; Organising of education conventions; Organising of education conferences; Foreign language education services; Education and training services; Training and education services; Organising of education seminars; Workshops for educational purposes; Wine tastings [educational services]; Conducting of educational conferences; Arranging of educational conferences; Publishing of educational material; Publishing of educational matter; Accreditation of educational services; Educational and training services; Conducting of educational courses; Issuing of educational awards; Awarding of educational certificates; Organising of educational lectures; Organisation of educational seminars; Conducting of

educational events; Arranging of educational events; Organisation of educational events; Provision of education and training; Education services relating to meditation; Education services relating to yoga; Education services relating to management; Education services relating to modelling; Education services for managerial staff; Education services relating to health; Vocational education for young people; Education services relating to pharmacy; Education services relating to cooking; Information relating to sports education; Providing continuing medical education courses; Providing continuing nursing education courses; Education services relating to sports; Education services relating to languages; Education services relating to medicine; Education services relating to nutrition; Organisation of continuing educational seminars; Arranging and conducting educational conferences; Production of educational television programmes; Educational services relating to cooking; Sports coaching; Sports training; Sports tuition; Sports education services; Sports and fitness; Organising of sports competitions and sports events; Conducting of sports events; Cultural activities; Cultural and sporting activities; Workshops for cultural purposes; Organisation of cultural events; Exhibitions (Conducting -) for cultural purposes; Organizing cultural and arts events; Arranging of conferences relating to cultural activities; Arranging of festivals for cultural purposes.

Ralph Quinlan, Portnard, Cappamore, Limerick V94XYOH, Ireland Francis Lanuza, Portnard, Cappamore, Limerick V94XY0H, Ireland. Address for service is c/o Ralph Quinlan and Francis Lanuza, Portnard, Cappamore, Limerick V94XYOH, Ireland.

Story of Mayo

270268 08 March 2024

Class 14. Jewellery.

Robert Blacoe, 4 Rockhill, Salthill, Galway, Ireland. Address for service is c/o Robert Blacoe, 4 Rockhill, Salthill, Galway, Ireland.

AgriZero^{NZ}

270269 20 October 2023

Class 35. Business organisation; business assistance; business management services, including developing and implementing climate and environmental solutions and sustainability practices and goals; providing business and commercial advice and information; providing advice on corporate strategies, mergers, acquisitions, restructures and privatisations; advertising services; procurement services for others (purchasing goods and services for other businesses); collection of data; business

consultancy and advisory services in relation to environmental sustainability; business consultancy services in relation to corporate communication services; market research services; market analysis services; database management; promoting events organised by others; Environmental business management services namely development and implementation of climate and environmental solutions and sustainability practices and goals; information, advisory and consultancy services in relation to the aforesaid services; all the aforesaid services being provided electronically, including via the Internet.

Class 36. Banking and financial services; investment banking services; monetary affairs; real estate services; capital investment and management services; development of investment portfolios; fund investment and fund management; brokerage of emissions rights; project financing; insurance services; sponsorship in the form of financial support; funding of product development; fundraising services; fundraising and financial sponsorship services; provision of grants, funding and financial contributions; financial grant services; administration of financial affairs; information, advisory and consultancy services in relation to the aforesaid services; all the aforesaid services being provided electronically, including via the Internet.

Class 42. Agricultural research; testing, inspection and research services in the fields of agriculture, livestock breeding and fisheries; research in the field of climate change;

providing scientific information in the field of climate change; measuring and analysis of greenhouse gas emissions; scientific research in relation to corporate sustainability; environmental monitoring services; scientific research and development services; analysis of greenhouse gas emissions; research into the reduction of carbon emissions; providing scientific information relating to net zero emissions; environmental testing; information, advisory and consultancy services in relation to the aforesaid services; all the aforesaid services being provided electronically, including via the Internet.

- Class 44. Agriculture, aquaculture, horticulture and forestry services; farming services; information, advisory and consultancy services in relation to the aforesaid services; all the aforesaid services being provided electronically, including via the Internet.

Priority Date Claimed: 19 May 2023 New Zealand

CENTRE FOR CLIMATE ACTION JOINT VENTURE LIMITED, 27 Webber Street, Westmere, Auckland 1022, New Zealand. Address for service is c/o LEO MOORE, William Fry Solicitors, 2 Grand Canal Square, Dublin 2, Ireland.



270270 24 February 2024

- Class 35. Business consulting; Business consulting services.
 Class 41. Training; Training services; Business training; Providing training; Training courses; Coaching [training]; Training consultancy; Adult training; Providing of training; Education and training.

Katie Cooney, 21 Rockbarton Road, Salthill, Galway h91rpc7, Ireland. Address for service is c/o Katie Cooney, 21 Rockbarton road, Salthill, Galway H91 RPC7, Ireland.

The mark in use will be in the colours Green, Purple and Navy.

Occupli

270271 10 January 2024

- Class 41. Training.
 Class 45. Consultancy on regulations on safety at work; Consultancy services relating to health and safety; Consultancy services in the field of the safety needs of commercial and industrial companies; Occupational safety consultancy.

Occupli, Euro Business Park, Little Island, Cork T45DK25, Ireland. Address for service is c/o Occupli, c/o Odhran Molloy, Euro Business Park, Little Island, Cork t45DK25, Ireland.



270272 01 December 2023

Class 16. Paper towels.

Product Direct, 6 Fern Road, Sandyford, Dublin D18 FP98, Ireland. Address for service is c/o Product Direct, c/o Darren Farrell, 6 Fern Road, Sandyford, Dublin D18 FP98, Ireland.

The mark in use is/will be in the colour(s) Yellow, White, Blue, Black



270273 01 December 2023

Class 16. Paper towels.

Product Direct, 6 Fern Road, Sandyford, Dublin D18 FP98, Ireland. Address for service is c/o Product

Direct, c/o Darren Farrell, 60 Black Horse, North Circular Road, Dublin 7, Ireland.

The mark in use is/will be in the colour(s) Blue, Red, Black, White



270274 01 February 2024

Class 9. Game software; Games software for use with video game consoles.

Class 16. Comic books; Printed comic books; Manga comic books; Printed manga comic books.

Ballywire Media, 14 Willow Business Park, Dublin 12, Dublin D12 DW40, Ireland. Address for service is c/o Ballywire Media, C/o Paul Collins, 14 Willow Business Park, Knockmitten Lane, Dublin 12 D12 DW40, Ireland.

The mark in use is/will be in the colour(s) Black

GOLDEN GRACE

270275 13 December 2023

Class 3. Soaps; perfumery, essential oils, cosmetics; colognes, eau de toilette, perfume body sprays; oils, creams and

lotions for the skin; shaving foam, shaving gel, pre-shaving and after-shaving lotions; talcum powder; preparations for the bath and shower; hair lotions; shampoo and hair conditioner; hair styling preparations; body deodorants; anti-perspirants for personal use; non-medicated toilet preparations.

Unilever Global IP Limited, Port Sunlight, Wirral, Merseyside CH62 4ZD, United Kingdom. Address for service is c/o FRKelly, Waterways House, Grand Canal Quay, Dublin D02 PD39, Ireland.



270276 29 February 2024

Class 30. Bakery goods; Mixes for making bakery products; Chocolate fillings for bakery products; Preparations for making bakery products; Gluten-free bakery products; Cakes; Chocolate cake; Sweets; Chocolate truffles.

Kleydinilson Candido de Sousa, Apartment 20 Glenasmole, Two Oaks, Dublin D16E44Y, Ireland
Richard Martins Lima, Apartment 20 Glenasmole, Two Oaks, D16E44Y Dublin, Iran (Islamic Republic of). Address for service is c/o Kleydinilson Candido de Sousa and Richard Martins Lima, Apartment 20, Glenasmole, Two Oaks, Dublin D16E44Y, Ireland.

The mark in use is/will be in the colour(s) orange (F29E3F) and caramel (BF5B2B).

MCCAULEY PHARMORE

270277 04 March 2024

Class 35. Loyalty, incentive and bonus program services; marketing, advertising and promotional services; administration of loyalty rewards programs; market research services relating to customer loyalty.

Allcare Management Services Limited, 4045 Kingswood Road, Citywest Business Park, Dublin 24, Ireland. Address for service is c/o FRKelly, Waterways House, Grand Canal Quay, Dublin D02 PD39, Ireland.



270278 06 October 2022

Class 9. Software; Software and applications for mobile devices.

Class 36. Financial services.

Class 42. Software development, programming and implementation; Software as a service.

FREETRADE LTD, 32-38 Leman Street, London, United Kingdom. Address for service is c/o Patricia McGovern, c/o DFMG Solicitors LLP, 38/39, Fitzwilliam Square, Dublin D02NX53, Ireland.

INNER GLOW

270279 13 December 2023

Class 3. Soaps; perfumery, essential oils, cosmetics; colognes, eau de toilette, perfume body sprays; oils, creams and lotions for the skin; shaving foam, shaving gel, pre-shaving and after-shaving lotions; talcum powder; preparations for the bath and shower; hair lotions; shampoo and hair conditioner; hair styling preparations; body deodorants; anti-perspirants for personal use; non-medicated toilet preparations.

Unilever Global IP Limited, Port Sunlight, Wirral, Merseyside CH62 4ZD, United Kingdom. Address for service is c/o FRKelly, Waterways House, Grand Canal Quay, Dublin D02 PD39, Ireland.

SUPERMAC'S - THE OFFICIAL FOOD OF MATCHDAYS

270280 01 March 2024

Class 16. Printed matter; paper; paper and cardboard packaging; advertising publications and flyers; stationery; leaflets; menus; posters; books and pamphlets; pens and pencils.

Class 39. Delivery services; food and drink delivery services; pizza delivery services; delivery of food by restaurants.

Class 43. Provision of food and drink; restaurant services; bar services; catering services; fast-food restaurant services; canteens; self-service restaurant services; takeaway services; snack-bars.

Supermac's (Holdings) Limited, Ballybrit Business Park, Ballybrit, Co. Galway, Ireland. Address for service is c/o TOMKINS & CO., 5 Dartmouth Road, Dublin 6, Ireland.



270281 29 February 2024

Class 9. Computer keyboards; mouse [computer peripheral]; stands adapted for laptops; covers for tablet computers; bags adapted for laptops; computer programs, downloadable; pedometers; photocopiers [photographic, electrostatic, thermic]; scales ; blinkers [signalling lights]; stands for photographic apparatus; holders adapted for mobile telephones and smartphones; covers for smartphones; teleprompters; cabinets for loudspeakers; headphones; cell phone straps; microphones; tripods for cameras; flashlights [photography]; photography apparatus bag; gimbals for digital cameras; lenses for astrophotography; audiovisual teaching apparatus; optical lenses; USB cables; remote control apparatus; protective masks, not for medical

purposes; theft prevention installations, electric; eyeglasses; portable power chargers; films, exposed; decorative magnets.

Shenzhen Xiaosun Zhichuang Technology Co., Ltd., A1501, Building A, Galaxy WORLD, NO.1 Yabao Road, Bantian Street, Longgang District, Shenzhen, China. Address for service is c/o Shenzhen Xiaosun Zhichuang Technology Co., Ltd., c/o Bayview IP, 134 Hollybrook Park, Bray, County Wicklow N, Ireland.



270282 01 March 2024

Class 37. Cleaning of windows; Interior and exterior window cleaning services; Window cleaning; Clearing and cleaning gutters.

Ruben, flat 3, 50 Garville Avenue, Dublin D06AY07, Ireland. Address for service is c/o Ruben, flat 3, 50 Garville Avenue, Dublin D06AY07, Ireland.

The mark in use is/will be in the colour(s) Yellow Gold #F1C400 / 7406 C

SIENNA ROSE

270283 23 February 2024

Class 25. Clothing; Dresses; Footwear; Headgear; Headwear; Formalwear.

SWEETIE PIE COLLECTION IRELAND LIMITED, Kilree, Bennettsbridge, Kilkenny, Ireland. Address for service is c/o SWEETIE PIE COLLECTION IRELAND LIMITED, Kilree, Bennettsbridge, Kilkenny, Ireland.

Nutri-CUT

270284 04 March 2024

Class 1. Fertilizers.

GRASSLAND AGRO LIMITED, Dock Road, Limerick, Ireland. Address for service is c/o Woodcock Solicitors LLP, 38-39 Fitzwilliam Square, Dublin 2 2, Ireland.

The mark in use is/will be in the colour(s) black

Melt

270285 26 February 2024

Class 3. Massage oil.
Class 10. Massage balls; Acupuncture needles; Acupuncture equipment; Acupuncture

- instruments [electric or non-electric].
- Class 42. Conducting clinical trials in the field of acupuncture therapy.
- Class 44. Massage; Massage services; Acupuncture; Acupuncture services.

Michelle Magill, 2 Saint Declans Road, Marino, Dublin D03 DX85, Ireland. Address for service is c/o Michelle Magill, 2 Saint Declans Road, Marino, Dublin D03 DX85, Ireland.

PERI MAC

270286 18 January 2024

- Class 43. Restaurants; carry-out restaurant services; fast food restaurant outlets; catering; serving of food and beverages; food preparation services.

Nando's Chickenland Limited, St Marys House, 42 Vicarage Crescent, London SW11 3LD, United Kingdom. Address for service is c/o BIRD & BIRD LLP, Avenue Louise 235, B-1050 Bruxelles, Belgium.

Cuisine de France



La Donuterie

270287 04 March 2024

- Class 30. Bakery products; croissants, baguettes, bread, biscuits, cakes, doughnuts and confectionery; prepared desserts (confectionery).

ARYZTA FOOD SOLUTIONS IRELAND UNLIMITED COMPANY, Grange Castle Business Park, New Nangor Road, Clondalkin, Dublin 22, Ireland. Address for service is c/o MACLACHLAN & DONALDSON (IRELAND) LIMITED, trading as MACLACHLAN & DONALDSON, Unit 10, 4075 Kingswood Road, Citywest Business Campus, Dublin 24 D24 C56E, Ireland.

Nature's Drop

270288 06 March 2024

- Class 43. Providing food and beverages.

Muhammad Ahmad, 120 LATCHFORD PARK, CASTAHEANY, Dublin D15, Ireland. Address for service is c/o Muhammad Ahmad, c/o Khubaib, Unit 104A Porters Road, Coolmine Industrial Estate, Dublin 15, Ireland.

Optigrass

270289 04 March 2024

- Class 1. Fertilizers.

GRASSLAND AGRO LIMITED, Dock Road, Limerick, Ireland. Address for service is c/o Woodcock Solicitors LLP, 38-39 Fitzwilliam Square, Dublin 2, Ireland.

The mark in use is/will be in the colour(s) black

FIND YOUR GUT THING

270290 23 February 2024

- Class 35. Demonstration of goods; direct mail advertising; distribution of samples; retail services connected with the sale of dietary supplements and dietetic preparations, herbal supplements and preparations, vitamins and vitamin preparations, food and drinks, health foods, nutritional supplements, pharmaceuticals.
- Class 41. Education; education relating to health and fitness; education relating to wellbeing; education relating to diet and nutrition; education relating to vitamin, mineral and herbal supplements; education relating to allergies; health and wellness training; information, advisory and consultancy services in relation to the aforesaid services.
- Class 44. Health and medical care services; medical information and advice services; medical advice relating to allergies; advisory services relating to medicines and nutritional supplements; advice relating to health and wellbeing; medical testing; diagnostic and screening services; medical diagnostic services; medical testing for diagnostic or treatment purposes; medical analysis services for diagnostic and treatment purposes; dietary and

nutritional advice; information, advisory and consultancy services in relation to the aforesaid services.

Priority Date Claimed: 23 October 2023 United Kingdom

Holland & Barrett International Limited, Samuel Ryder House, Barling Way, Eliot Park, Nuneaton, Warwickshire CV10 7RH, United Kingdom. Address for service is c/o Holland & Barrett International Limited, c/o Jennifer Good, Holland & Barrett Limited, 45 Henry Street, Dublin D01 E9X8, Ireland.

LIVE THE GUT LIFE

270291 23 February 2024

- Class 35. Demonstration of goods; direct mail advertising; distribution of samples; retail services connected with the sale of dietary supplements and dietetic preparations, herbal supplements and preparations, vitamins and vitamin preparations, food and drinks, health foods, nutritional supplements, pharmaceuticals.
- Class 41. Education; education relating to health and fitness; education relating to wellbeing; education relating to diet and nutrition; education relating to vitamin, mineral and herbal supplements; education relating to allergies; health and wellness training; information, advisory and consultancy services in relation to the aforesaid services.
- Class 44. Health and medical care services; medical information and advice services; medical

advice relating to allergies; advisory services relating to medicines and nutritional supplements; advice relating to health and wellbeing; medical testing; diagnostic and screening services; medical diagnostic services; medical testing for diagnostic or treatment purposes; medical analysis services for diagnostic and treatment purposes; dietary and nutritional advice; information, advisory and consultancy services in relation to the aforesaid services.

Priority Date Claimed: 23 October 2023 United Kingdom

Holland & Barrett International Limited, Samuel Ryder House, Barling Way, Eliot Park, Nuneaton, Warwickshire CV10 7RH, United Kingdom. Address for service is c/o Holland & Barrett International Limited, c/o Jennifer Good, Holland & Barrett Limited, 45 Henry Street, Dublin D01 E9X8, Ireland.

LEGENDS OF
AEROO



270292 28 February 2024

- Class 9. Computer gaming software; Downloadable comics.
- Class 16. Comic books; Printed comics.
- Class 28. Console gaming devices.
- Class 41. Online gaming services.

Paul Collins, 14 Willow Business Park, Knockmitten Lane, Dublin D12 DW40, Ireland. Address for service is c/o Paul Collins, 14 Willow Business Park, Knockmitten Lane, Dublin 12 D12 DW40, Ireland.

The mark in use is/will be in the colour(s) Black and White



270293 06 March 2024

- Class 30. Sauces [condiments]; Condiments; Flavourings and seasonings.
- Class 43. Hospitality services [food and drink]; Provision of food and drink; Bar services; Bistro services; Catering; Pubs; Restaurant services; Snack-bar services; Take-away restaurant services; Information, advice and reservation services for the provision of food and drink; Rental of furniture, linens, table settings, and equipment for the provision of food and drink; Preparation and provision of food and drink for immediate consumption.

POULET VOUS LIMITED, Herons Wood, 31 Oakdene, Carrigaline, CORK P43 YH26, Ireland. Address for service is c/o Trama Legal s.r.o., Bottova 2A, 811 09 Bratislava, Slovakia.



270294 07 March 2024

Class 41. Festivals (Organisation of -) for entertainment purposes.

Claire O Sullivan, 40 Cnoc Cluain, Ballina, Tipperary V94 NP7Y, Ireland. Address for service is c/o Claire O Sullivan, 40 Cnoc Cluain, Ballina, Beara V94NP7Y, Ireland.



270295 05 March 2024

Class 41. Entertainment services for children.

Niamh Dunlea, Stratholme, Upper Ardmore, Cork T12A44N, Ireland. Address for service is c/o Niamh Dunlea, Stratholme, Upper Ardmore, Rochestown, Ireland.

PIZZALIST

270296 27 February 2024

Class 43. Restaurant services; Delicatessens [restaurants]; Snack bar services; Snack-bars; Restaurants; Take away food services; Take-away restaurant services.

Triticum Food Limited, C/O Block 3 Airvista Office, Swords Road, Dublin 9 D09 VK65, Ireland. Address for service is c/o Michael Lucey, PurdyLucey Intellectual Property, 6-7 Harcourt Terrace, Dublin 2 D02 FH73, Ireland.

Kyteler's Inn

270297 27 February 2024

Class 43. Restaurants; Pubs.

JD Flynn, Kieran Street, Kilkenny, Kilkenny R95 RP40, Ireland. Address for service is c/o JD Flynn, Kieran Street, Kilkenny, Kilkenny R95 RP40, Ireland.

VIBES

270298 11 October 2022

Class 29. Frozen prepared meals and snack foods consisting primarily of potatoes and potato based products, preserved, dried and cooked fruits and vegetables, meat,

fish, poultry and game, cheese and cheese mixtures; frozen processed potatoes and potato based snacks; frozen French fries and frozen chips; frozen foodstuffs all being fruits and/or vegetables.

Priority Date Claimed: 01 July 2022 United Kingdom

McCain Foods (GB) Limited, Havers Hill, Scarborough, North Yorkshire YO11 3BS, United Kingdom. Address for service is c/o Fiona Gorman, C/O F. F. Gorman & Co, 15 Clanwilliam Square, Dublin 2, Ireland.

The application for registration is proceeding with the consent of the Holder of International Registration No. W01641980 and the proprietor(s) of Registered EUTM No's 018614186 and 018191812.

HICKEY'S PHARMORE

270299 04 March 2024

Class 35. Loyalty, incentive and bonus program services; marketing, advertising and promotional services; administration of loyalty rewards programs; market research services relating to customer loyalty.

Allcare Management Services Limited, 4045 Kingswood Road, Citywest Business Park, Dublin 24, Ireland. Address for service is c/o FRKelly, Waterways House, Grand Canal Quay, Dublin D02 PD39, Ireland.

ALLCARE PHARMORE

270300 04 March 2024

Class 35. Loyalty, incentive and bonus program services; marketing, advertising and promotional services; administration of loyalty rewards programs; market research services relating to customer loyalty.

Allcare Management Services Limited, 4045 Kingswood Road, Citywest Business Park, Dublin 24, Ireland. Address for service is c/o FRKelly, Waterways House, Grand Canal Quay, Dublin D02 PD39, Ireland.

PROTEKK

270301 16 February 2024

Class 6. Metal ladders; mini mesh made of metal; angle beads made of metal.

Class 9. Protective clothing; Protective gloves.

Class 17. Duct tape; insulating tape; masking tape; scrim tape; radon tape; polythene sheeting; weed block ground cover; polythene covering.

Class 19. Floor protection film; flooring underlay; damp proof course (DPC); coriboard sheets; non-metallic angle beads; non-metallic mini mesh; radon barrier; roofing felt; geotextile materials.

Class 20. Non-metallic ladders.

Class 22. Cable ties; polythene sacks; polythene bags.

Allied Merchants Buying Association Limited, 16 Briarhill Business Park, Ballybrit, Galway, Co.

Galway H91 FFH1, Ireland. Address for service is c/o FRKelly, Waterways House, Grand Canal Quay, Dublin D02 PD39, Ireland.

services featuring software for machine learning, deep learning and deep neural networks.

Deborah Jordan, Tanner Hill, Walshestown, Killinick, Wexford Y35 D4E3, Ireland. Address for service is c/o Deborah Jordan, Tanner Hill, Walshestown, Killinick, Wexford Y35 D4E3, Ireland.

LIFE PHARMORE

270302 04 March 2024

Class 35. Loyalty, incentive and bonus program services; marketing, advertising and promotional services; administration of loyalty rewards programs; market research services relating to customer loyalty.

Independent Life Pharmacy PLC, 4045 Kingswood Road, Citywest Business Park, Dublin 24, Ireland. Address for service is c/o FRKelly, Waterways House, Grand Canal Quay, Dublin D02 PD39, Ireland.

Shamrock Claddagh

270304 08 March 2024

Class 14. Jewellery.

Robert Blacoe, 4 Rockhill, Salthill, Galway, Ireland. Address for service is c/o Robert Blacoe, 4 Rockhill, Salthill, Galway, Ireland.

Eliatra OpenSearch Distro

270305 06 March 2024

Class 9. Security software.

Class 42. IT security, protection and restoration; Information technology [IT] consulting services; IT service management [ITSM].

EXCELERATE TECHNOLOGY LIMITED, 77 Camden Street Lower, DUBLIN D02 XE80, Ireland. Address for service is c/o EXCELERATE TECHNOLOGY LIMITED, 77 Camden Street Lower, DUBLIN D02 XE80, Ireland.

The mark in use is/will be in the colour(s) Pantone 328CP / #007A6C



270303 16 February 2024

Class 42. Software as a service [SaaS]; Software as a service [SaaS] featuring software for machine learning; Software as a service [SaaS] featuring software for deep learning; Platforms for artificial intelligence as software as a service [SaaS]; Software as a service [SaaS] featuring computer software platforms for artificial intelligence; Software as a service [SaaS]

Evolve

270306 08 March 2024

- Class 28. Footballs, Reduced sized footballs, Football equipment, Soccer balls, Soccer ball bags, Sports equipment, Sports training apparatus, Sliotar, Bags adapted to carry sports implements, Bags specially adapted for sports equipment.

Striker Football Europe Ltd, Clonteens, Lombardstown, Cork p51fhh6, Ireland. Address for service is c/o Striker Football Europe Ltd, Clonteens, Lombardstown, Cork p51fhh6, Ireland.

VREMT

270307 08 March 2024

- Class 9. Batteries, electric, for vehicles; battery chargers; grids for batteries; mobile power supply [rechargeable batteries]; igniting apparatus, electric, for igniting at a distance; integrated circuits; lightning conductors; video screens; solar panels for the production of electricity; charging stations for electric vehicles.
- Class 12. Cars; automobile chassis; motors for electric vehicles; engines for electric vehicles; vehicles for locomotion by land, air, water or rail; tyres for vehicle wheels; anti-theft

devices for automobiles; electric vehicles; brakes for vehicles; gear boxes for land vehicles; motorcycles.

Zhejiang Geely Holding Group Co., Ltd., 1760 Jiangling Road, Binjiang District, Hangzhou, Zhejiang, China. Address for service is c/o FRKelly, Waterways House, Grand Canal Quay, Dublin D02 PD39, Ireland.

FORTEKK

270308 16 February 2024

- Class 6. Angle beads made of metal; mini mesh made of metal.
- Class 12. Wheelbarrows.
- Class 17. Duct tape; insulating tape; masking tape; scrim tape; radon tape; polythene sheeting; weed block ground cover; polythene covering.
- Class 19. Floor protection film; flooring underlay; damp proof course (DPC); corriboard sheets; non-metallic angle beads; non-metallic mini mesh; radon barrier; roofing felt; geotextile materials.

Allied Merchants Buying Association Limited, 16 Briarhill Business Park, Ballybrit, Galway, Co. Galway H91 FFH1, Ireland. Address for service is c/o FRKelly, Waterways House, Grand Canal Quay, Dublin D02 PD39, Ireland.



270309 08 March 2024

Class 3. Unblocking drain pipes
(Preparations for -).

Ihor Sydorov, 97 Frenchpark, Oranmore, Galway H91N6E8, Ireland. Address for service is c/o Ihor Sydorov, 97 Frenchpark, Oranmore, Galway H91N6E8, Ireland.

The mark in use is/will be in the colour(s) Words - red, Figurative - white, Background - green

270310 17 December 2023

Class 41. Physical fitness instruction;
Sports and fitness;
Conducting fitness classes;
Fitness training services;
Health and wellness training.

OS Sports Management, 1 Spring Grove Mill Road, Corbally, Limerick V94PN8C, Ireland. Address for service is c/o William Fry LLP, 2 Grand Canal Square, Dublin 2 D02 A342, Ireland.

The application for registration is proceeding with the consent of the proprietor of EUTM 013019344.

The mark in use is/will be in the colour(s) Dark Grey - #3E464E, Green - #C5FD50 and White - #FFFFFF.

Euro Notes

270311 05 March 2024

Class 16. Diaries; Notebooks; Journals.

Visvaldis Danielis, The Nursery, Pallaskenry, Limerick V94 F9XA, Ireland. Address for service is c/o Visvaldis Danielis, The Nursery, Pallaskenry, Limerick V94 F9XA, Ireland.

The mark in use is/will be in the colour(s) Black



270312 12 March 2024

Class 42. Software as a service [SaaS];
Software as a service [SAAS]
services; Platforms for

gaming as software as a service [SaaS]; Platforms for artificial intelligence as software as a service [SaaS]; Software as a service [SaaS] featuring software for machine learning; Software as a service [SaaS] featuring software for deep learning; Platforms for graphic design as software as a service [SaaS]; Consulting services in the field of software as a service [SaaS]; Software as a service [SaaS] featuring software for deep neural networks; Software as a service [SaaS] featuring software platforms for graphic design; Software as a service [SaaS] featuring software platforms for electronic gaming; Software as a service [SaaS] featuring computer software platforms for artificial intelligence; Software as a service [SaaS] services featuring software for machine learning, deep learning and deep neural networks.

Deborah Jordan, Tanner Hill, Walshestown, Killinick, Wexford Y35 D4E3, Ireland. Address for service is c/o Deborah Jordan, Tanner Hill, Walshestown, Killinick, Wexford Y35 D4E3, Ireland.



270313 11 March 2024

Class 33. Alcoholic beverages, except beers; alcoholic cocktails.

RTD SAS, 816 Rue du Chat Botté, 01700, Beynost, France. Address for service is c/o Tomkins & Co, 5 Dartmouth Road, Dublin 6 D06 F9C7, Ireland.

1.1:



2.1:



Application is for a Series of 2 Trade Marks.

270314 15 March 2023

Class 9. Computer software; Computer applications; Databases; Reporting software.

Class 35. Business advice, assistance, management and administrative services; Business analytics; Database management; Database

marketing; Marketing strategies; Outsourcing services in the field of business analytics; Statistical Analysis and reporting services for business purposes.

Class 42. Maintaining databases; Monitoring databases; Database design; Database development services; Consultancy and advice relating to databases; Computerised analysis of data and statistics; Discovery, interpreting and communicating significant patterns in data; Computer programming services for commercial analysis and reporting.

RW Analytics Limited, Unit C3, The Exchange, Calmount Park, Co. Dublin D12 ET20, Ireland. Address for service is c/o FRKelly, Waterways House, Grand Canal Quay, Dublin D02 PD39, Ireland.

The application for registration is proceeding based on honest concurrent use with EUTM 015079783 and EU W01279447.



270315 20 June 2023

Class 3. Non-medicated cosmetics and toiletry preparations; non-

medicated dentifrices; perfumery, essential oils; diffusers for use in the home; bleaching preparations and other substances for laundry use; cleaning, polishing, scouring and abrasive preparations.

Class 4. Candles.

Class 5. Food supplements; food for babies; medical preparations; disinfectants.

Class 6. Badges; baskets; bins; bottle caps and bottle closures or fasteners; busts; works of art; buckles; chests and casks; clothes hooks; figurines and statuettes; knife handles; letter boxes; memorial plates and plaques; money boxes; number plates; key rings; signs; tin cans; works of art; locks; holders of metal, boxes and cases; all of the foregoing being made of metal or of alloys of metal.

Class 8. Hand tools and implements, hand-operated; cutlery; side arms, except firearms; razors and razor cases; manicure sets; nail clippers and nail files; scissors; spatulas [hand tools]; tongs.

Class 9. Credit cards, debit cards, and payment cards being encoded or capable of being encoded; computer programmes; computer software and computer systems; CD-ROMs; DVD-ROMs; computer software to enable searching of data; printed matter and publications in electronic form (downloadable) provided on-line from a database or from facilities provided on the internet (including websites) or on other computer networks; pre-recorded compact discs or optical discs; pre-recorded tapes; video tapes and cassettes and audio cassettes; sound recordings; electronic memory cards and electronic cards; computer games and computer games software; containers for

- contact lenses; magnets; pocket calculators; luminous signs; smart cards, encoded cards and encrypted cards; spectacles cases and frames; sunglasses; parts and fittings for all the aforesaid goods; egg timers; downloadable digital files authenticated by non-fungible tokens; mobile phone covers; lanyards for mobile phones.
- Class 14. Precious metals and alloys of precious metals; articles of jewellery made of precious metals or coated therewith; jewellery; badges and buckles of precious metal for personal wear; cases of precious metal; boxes of precious metal; works of art of precious metal; figurines or statuettes of precious metal; tie clips and pins; cuff links; clocks; coins and copper tokens; objects of imitation gold; key-rings; medals; trinkets [jewellery]; horological and chronometric instruments; keyrings; jewellery cases and caskets; lanyards for keys; parts and fittings included in class 14 for all the aforesaid goods.
- Class 15. Musical instruments; music stands and stands for musical instruments; conductors' batons.
- Class 16. Paper and cardboard; printed matter, printed publications; albums; almanacs; bags of paper or plastic for packaging; wrapping paper; binders, binding strips and bookbinding material; book-ends, booklets, book markers and books; brochures; boxes of cardboard or paper; envelopes or wrappers of cardboard or paper; diaries and calendars; cardboard articles; cards; catalogues and charts; chromolithographs; coasters of paper or cardboard; covers; paper cutters and knives; drawing instruments and materials; engravings and prints; erasing products and rulers; etchings; files and folders; paper flags; printed forms and pamphlets; periodicals and magazines; manuals and newsletters; advertising and promotional materials; webpages downloaded from the Internet in the form of printed matter; non-textile labels; lithographic works of art and lithographs; fountain pens, pens, pencils, pencil sharpeners, pencil and pen holders and writing materials; graphic prints and reproductions; paper weights; tickets; notebooks and pads; scrap-books; office requisites other than furniture; packing paper; pictures; instructional and teaching material other than apparatus; paper placemats, cloths and napkins; postcards and posters; signs of paper or cardboard; stencils, stickers and transfers; photographs and photo engravings; stationery.
- Class 18. Leather, imitation leather, animal skins and hides; umbrellas and umbrella covers; parasols, sunshades (in the nature of parasols), bags, pouches, wallets, purses, cases of leather, boxes of leather, articles of luggage and carrying bags, trunks, backpacks, satchels, rucksacks, haversacks and briefcases included in Class 18; bands of leather, imitation leather, animal skins or hides; collars and leashes for animals; clothing for animals; envelopes of leather for packaging; key cases; leather leads and leashes; walking sticks; canes; tote bags.
- Class 20. Plaques of plastic and wood; picture frames; mirrors; furniture; works of art of wood, wax, plaster or plastic; baskets not of metal; bins of wood or plastic; display stands and boards; sign boards of wood or plastic; placards of

- wood or plastic; decorative wall plaques not of textile; non-metal bottle caps and casings; bottle racks; corks for bottles; containers, casks, chests, cases and boxes of wood, wax, plaster or plastic; busts of wood, wax, plaster or plastic; chairs; tables; non-metal closures for containers; clothes hooks, coat hangers; pillows and cushions; deck chairs; decorations of plastic for foodstuffs; decorative mobiles; stools; trays, not of metal; statues and figurines of wood, wax, plaster or plastic; non-metal and non-luminous house numbers; key boards for hanging keys; magazine racks; non-metal name plates and number plates; non-metal plugs and stoppers; wicker work; shells; Meerschaum; Yellow amber.
- Class 21. Glass, glassware, crystal, earthenware, pottery, crockery and porcelain, all included in Class 21; baskets for domestic use; bottle openers and bottles; drinking bottles; holders, boxes and cases of glass included in Class 21; brush goods and combs; perfume burners and sprayers; figurines and busts of china, earthenware, pottery, terracotta or glass; household trays; candlesticks, candle extinguishers and candle rings; ceramics for household purposes; china, glass, earthenware and pottery ornaments; coasters [tableware]; cork screws; drinking vessels, cups, mugs, decanters, goblets, tankards, urns, vases, bowls, salt cellars and salt shakers; dishes, flasks, egg cups, jars, jugs and pots; enamelled glass; holders for flowers and plants; napkin holders and napkin rings not of precious metal; piggy banks; shoe horns; signs of porcelain, earthenware, pottery or glass; tableware not of precious metal; toothbrushes and toothpicks; works of art of porcelain, earthenware, pottery, terracotta or glass; ladles for serving wine; salt cellars and salt shakers; sacred vessels; napkin holders, napkin rings, jugs, dishes, cups, flasks, thermal coffee cups, goblets, tankards, containers of precious metals [household]; urns and vases of precious metal; plaques of glass, pottery, earthenware and porcelain; tea cosies; drinking straws.
- Class 24. Textiles included in Class 24; curtains; tea towels and towels; textile banners; textile flags; beach towels; valances; bed sheets; duvet covers; bath and bed linen; table and household linen; blankets, bed blankets, cloths and bed covers; bedspreads; bunting; textile coasters; loose covers for furniture; eiderdowns; textile handkerchiefs; textile labels; place mats of textile; mattress covers; fabrics; pillow cases and pillow shams; quilts; travelling rugs; table runners of textile; napkins and serviettes of textile materials; sleeping bags; table cloths; wall hangings of textile; curtain tiebacks.
- Class 25. Articles of clothing included in Class 25; headgear, footwear and hosiery; pyjamas, dressing gowns and bathrobes; sweatshirts, hoodies, t-shirts, polo shirts, fleeces, bodywarmers; rugby shirts, track suits, blouses, jackets, jumpers; braces for clothing; gloves and mittens; neck ties; scarves and shawls; socks and stockings; hats; caps; belts of leather.
- Class 26. Lace, embroidery, badges for wear, not of metal or precious metals; buttons; rosettes, haberdashery; ribbons and braid; hair bands, hair slides,

- hair ornaments and hair pins; belt clasps; pin cushions; hat ornaments not of precious metal; heat adhesive patches for decoration of textile articles; fasteners and edgings for clothing; brooches for clothing; buckles for clothing and footwear; belt buckles of precious metals.
- Class 27. Carpets; rugs; mats and matting; materials for covering floors and walls.
- Class 28. Games (other than ordinary playing cards); toys and playthings; party novelty hats; shinguards; gloves for games; balloons; balls; video game apparatus; gymnastic and sporting articles (other than clothing); playing balls; footballs; teddy bears; decorations for Christmas trees; Christmas crackers; synthetic Christmas trees and stands; cups for dice; darts; dice; dolls and dolls' clothes; dolls' beds; dolls' houses and rooms; tables for indoor football; golf bags and gloves; jokes all being playthings and novelties; spinning tops; kites; knee guards and protective padding; marbles; marionettes and puppets; skis; slides; skateboards; skittles; sleighs all being playthings; masks all being playthings; mobiles [toys]; rattles; roller skates; body building apparatus; Christmas and festive decorations; baubles; playing cards; ordinary playing cards.
- Class 30. Coffee, tea, cocoa and artificial coffee; rice, pasta and noodles; tapioca and sago; flour and preparations made from cereals; bread, pastries and confectionery; chocolate; ice cream, sorbets and other edible ices; sugar, honey, treacle; yeast, baking-powder; salt, seasonings, spices, preserved herbs; vinegar, sauces and other condiments; ice (frozen water).
- Class 33. Alcoholic beverages, except beers; whiskey; alcoholic preparations for making beverages.
- Class 35. Marketing and advertising services; advertising, marketing and promotional consultancy, advisory and assistance services.
- Class 39. Travel agency and travel booking services; sightseeing and tour arranging services; travel and transport reservation services; escorting of travellers; transportation of passengers; excursion organization; provision of information, consulting and advisory services relating to all the aforesaid services. Arranging, organising and conducting tours; arranging, organising and conducting tours of the campus; arranging, organising and conducting audio-visual tours of the campus; Arranging, organising and conducting guided tours; arranging, organising and conducting guided tours of the campus in Trinity College Dublin; arranging, organising and conducting audio-visual guided tours of the campus in Trinity College Dublin; Arranging and conducting tours of historic and cultural buildings and sites; arranging and conducting tours of universities and educational establishments; arranging excursions to historic and cultural buildings and sites; arranging excursions to universities and educational establishments.
- Class 41. Ticket booking and reservation services in respect of tours of historic and cultural buildings and sites; ticket booking and reservation services in respect of tours of universities and educational establishments; rental of audio apparatus for use on sightseeing tours and guided

tours; provision of information, consulting and advisory services relating to all the aforesaid services; education; provision of training; entertainment; sporting and cultural activities.

THE PROVOST, FELLOWS, FOUNDATION SCHOLARS, AND THE OTHER MEMBERS OF BOARD OF THE COLLEGE OF THE HOLY AND UNDIVIDED TRINITY OF QUEEN ELIZABETH NEAR DUBLIN, College Green, Dublin 2, Ireland. Address for service is c/o MACLACHLAN & DONALDSON (IRELAND) LIMITED, trading as MACLACHLAN & DONALDSON, Unit 10, 4075 Kingswood Road, Citywest Business Campus, Dublin 24 D24 C56E, Ireland.



270316 13 March 2024

Class 21. Household containers; Household utensils; Household gloves; Containers for household use; Sponges for household purposes; Brushes for household use; Brushes for household purposes; Household scouring pads; Household plastic gloves; Rubber household gloves; Utensils for household purposes; Kitchen jars; Kitchen containers; Kitchen moulds; Kitchen mitts; Kitchen graters; Kitchen sieves; Kitchen utensils; Kitchen sponges; Kitchen cutting boards; Kitchen paper racks; Kitchen paper holders; Moulds [kitchen utensils]; Turners (kitchen utensil); Spatulas [kitchen utensils];

Kitchen boards for chopping; Garlic presses [kitchen utensils]; Presses (Garlic -) [kitchen utensils]; Funnels for kitchen use; Ceramics for kitchen use; Egg separators [kitchen utensils]; Kitchen mixers, non-electric; Kitchen grinders, non-electric; Mixing spoons [kitchen utensils]; Kitchen utensils of silicon; Turners for kitchen use; Spatulas for kitchen use; Kitchen containers for rice; Skimmers for kitchen use; Mortars for kitchen use; Pestles for kitchen use; Household or kitchen utensils; Graters for kitchen use; Household or kitchen containers; Aluminium moulds [kitchen utensils]; Pouring spouts for kitchen use; Skimmers [non-electric kitchen implements]; Chopping boards for kitchen use; Cutting boards for the kitchen; Carving boards for kitchen use; Combined lids for kitchen containers; Bread-cases [for kitchen use]; Abrasive sponges for kitchen [cleaning] use; Wooden chopping boards for kitchen use; Basting spoons, for kitchen use; Spoons (Basting -), for kitchen use; Defrosting trays for kitchen use; Batter dispensers for kitchen use; Bottles; Bottle coolers; Bottle buckets; Bottle cradles; Bottle brushes; Bottle pourers; Bottle gourds; Gourds (Bottle -); Bottle openers; Bottle stands; Glass bottles; Reusable bottles; Biodegradable bottles; Bottles (Refrigerating -); Refrigerating bottles; Vacuum bottles; Drinking bottles; Biobased bottles; Water bottles; Perfume bottles; Plastic bottles; Bottle cleaning brushes; Bottle coolers [receptacles]; Feeding bottle brushes; Squeeze bottle [empty]; Wine bottle cradles; Soap dispensing bottles;

Bottles, sold empty; Insulated vacuum bottles; Insulated bottles [flasks]; Sports bottles [empty]; Empty spray bottles; Squeeze bottles, empty; Stands for bottles; Plastic water bottles; Aluminum water bottles; Bottle openers [hand-operated]; Bottle openers incorporating knives; Travel mugs; Drinking flasks [for travellers]; Drinking flasks for travellers; Flasks for travellers (Drinking -); All-purpose portable household containers; Baking containers made of glass; Bathroom basins [receptacles]; Beverage coolers [containers]; Beverages (Heat insulated containers for -); Brushes for cleaning tanks and containers; Brushes with detergent containers; Containers for beverages; Containers for cosmetics; Containers for dentifrices; Containers for household or kitchen use; Containers for ice; Containers for ice, for household purposes; Disposable lids for household containers; Disposable aluminum foil containers for household purposes; Drinking receptacles; Drinks containers; Double heat insulated containers for food; Foil food containers; Food storage containers; Heat insulated containers for drinks; Heat-insulated containers for beverages; Heat-insulated containers for household use; Heat-insulated containers; Heat insulated containers; Heat retaining containers for food; Cosmetic, hygiene and beauty care utensils.

KLEERD ECOM OPERATIONS LIMITED, 1ST FLOOR, BUILDING TWO, THE GREEN, DUBLIN AIRPORT CENTRAL, SWORDS, DUBLIN K67 E2H3, Ireland. Address for service is c/o KLEERD ECOM OPERATIONS LIMITED, 1ST FLOOR,

BUILDING TWO, THE GREEN, DUBLIN AIRPORT CENTRAL, SWORDS, DUBLIN K67 E2H3, Ireland.

1.1:



KILMAHON

2.1:



KILMAHON

Application is for a Series of 2 Trade Marks.

270317 03 March 2024

Class 37. Building construction; Construction of property; Property maintenance; Renovation of property; Property development services [construction]; Carpentry; Carpentry services; Carpentry contractor services.

Kilmahon Developments Ltd, 45 Greenlea Road, Terenure, Dublin 6w D6WYD74, Ireland. Address for service is c/o Kilmahon Developments Ltd, C/O Alan McGann, 45 Greenlea Road, Terenure, Dublin 6W D6WYD74, Ireland.

The marks in use will be in the colour(s) Light Blue, Navy Blue and Royal Blue.

Killina Presentation Secondary School

270318 11 March 2024

Class 41. Secondary school educational services; Services of schools [education]; Educational services provided by a school.

Board of Management of Killina Presentation Secondary School, c/o Tom Doyle, Kilmucklin, Tullamore, Offaly R35 RD62, Ireland. Address for service is c/o Board of Management of Killina Presentation Secondary School, c/o Tom Doyle, Kilmucklin, Tullamore, Offaly R35 RD62, Ireland.

The mark in use is/will be in the colour(s) Black



270319 11 March 2024

Class 41. Secondary school educational services; Services of schools [education]; Educational services provided by a school.

Board of Management of Killina Presentation Secondary School, c/o Tom Doyle, Kilmucklin, Tullamore, Offaly R35 RD62, Ireland. Address for service is c/o Board of Management of Killina Presentation Secondary School, c/o Tom Doyle, Kilmucklin, Tullamore, Offaly R35 RD62, Ireland.

The mark in use is/will be in the colour(s) Blue, Navy, Yellow, White, Black

REVIVE HEALTHCARE

270320 11 March 2024

Class 5. Allergy medications; Medicinal creams for skin care; Medicinal ointments; Antifungal creams for medical use; Biochemical preparations for medical use; Skin care preparations for medical use; Foot care preparations for medical use; Biotechnological preparations for medical use; Sanitary preparations for medical use.

REVIVE HEALTHCARE LIMITED, Inniscarra, Main Street, Rathcoole, DUBLIN D24 E029, Ireland. Address for service is c/o REVIVE HEALTHCARE LIMITED, c/o LUIS GRACIAS, 96 CARAGH COURT, Naas, Co. Kildare W91TDT3, Ireland.

The mark in use is/will be in the colour(s) BLACK

Steeper Culture

270321 14 March 2024

- Class 30. Kombucha; tea; teas; tea-based beverages (non-medicated -).
- Class 32. Beverages (non-alcoholic -); non-alcoholic beverages; cordials (non-alcoholic beverages); non-alcoholic carbonated beverages; non-alcoholic drinks; carbonated non-alcoholic drinks; non-carbonated soft drinks.

The Craft Tea Brew Co Ltd, 63a Dows Road, Belfast BT8 8LB, United Kingdom. Address for service is c/o METIDA, Business center VERTAS Gyneju str. 16, 01109 Vilnius, Lithuania.



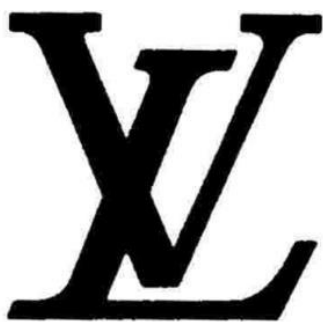
270322 12 March 2024

- Class 31. Trees; Plants; Raw forestry products; Raw and unprocessed forestry products.
- Class 41. Arranging and conducting of in-person educational forums; Providing information in the field of education; Know-how transfer [training]; Transfer of

business knowledge and know-how [training]; Online publication of electronic books and journals; Publication of electronic books and journals online; Providing online electronic publications, not downloadable; Providing online electronic publications; Providing online videos, not downloadable; Practical training [demonstration]; Arranging and conducting seminars; Arranging and conducting workshops; Arranging and conducting of seminars and workshops; Instructional and training services; Entertainment, education and instruction services.

- Class 44. Gardening; Landscape gardening; Gardening advice; Horticulture; Horticulture services; Horticulture, gardening and landscaping; Landscape design; Plant nursery services; Reforestation services; Tree planting for carbon offsetting purposes; The planting of trees for carbon offsetting purposes; Tree surgery; Transplanting of trees; Forestry services; Agriculture, horticulture and forestry services.

Pocket Forests CLG, c/o Digital Hub, 10-13 Thomas Street, Dublin 8, Ireland. Address for service is c/o Jeremy Erwin, Hayes solicitors LLP, Lavery House, Earlsfort Terrace, Dublin D02 T625, Ireland.



270323 16 April 2012

Class 3. Bleaching preparations and other substances for laundry use, cleaning, polishing, scouring and abrasive preparations, cleaning preparations, oils for cleaning purposes, preservatives for leather (waxes), leather bleaching preparations, polishing creams, creams for leather, shoe waxes, shoe polishes, waxes, wax for cobblers; perfumery; perfumes; toilet water; perfume waters, cologne waters, bases for perfumes, flower extracts, essential oils; air perfumes, scented pot pourri, incense; cosmetic products for care of the skin and the lips; cosmetic preparations for slimming purposes; lotions for cosmetic use, beauty masks, cosmetic products for the hands, face and body; products for hair care, conditioning products, hair lotions, hair bleaches, hair dyes, hair styling creams or gels, hair lacquers; depilatory creams, hair removing waxes; shaving preparations, shaving soap, shaving foam, after-shave preparations; sun-screen products for cosmetic use, skin sun-tanning preparations for cosmetic use, self-tanning preparations for cosmetic use; toiletry preparations, dentifrices, soaps, shampoos, shower gels, bath gels, bath oils, bath salts, foaming bath

products, bath pearls, talcum powder for toiletry use, toiletry milks, deodorants ; make-up products, lipsticks, mascara for eyelashes, blushes, make-up powder, eye shadow, make-up pencils, make-up removing preparations; decorative patterns for cosmetic use, temporary tattoos for the body and nails, make-up kits, nail care and beauty preparations, nail varnish, nail protectors, nail lacquers, nail product thinners, false nails for the hands and feet; false nail kits, false nail adhesives.

Priority Date Claimed: 14 November 2011 France

LOUIS VUITTON MALLETIER, 2 rue du Pont-Neuf, 75001 Paris, France. Address for service is c/o TOMKINS & CO., 5 Dartmouth Road, Dublin 6, Ireland.

butt-on

270324 14 March 2024

Class 26. Buttons.

rezero limited, 142 avondale road, dublin a96v4p0, Ireland. Address for service is c/o rezero limited, c/o michael wylde, 142 avondale road, co dublin a96v4p0, Ireland.

The mark in use is/will be in the colour(s) black

1.1:



2.1:



Application is for a Series of 2 Trade Marks.

270325 29 February 2024

- Class 7. Electric door openers and closers; parts and fittings for all the aforesaid goods included in Class 7.
- Class 9. Emergency warning lights, security apparatus and instruments; intruder alarm systems; surveillance apparatus and instruments; facial recognition apparatus and instruments; fingerprint recognition apparatus and instruments; digital video storage and transmission apparatus and instruments; number plate recognition apparatus and instruments; closed circuit television apparatus and instruments; security cameras; security cameras incorporating an audio warning; motion sensitive security lights

incorporating a security camera with or without an audio warning; fire alarms; smoke detectors; electronic/electric entry systems; fire alarm apparatus, instruments and installations; apparatus, instruments and installations for detecting, extinguishing or suppressing fire; sprinklers, sprayers and water jets for extinguishing or controlling fire; fire, gas, flame, heat and smoke alarms, sensors and detectors; testers for fire, gas, flame, heat and smoke alarms, sensors and detectors; electronic communications apparatus and instruments for use in fire alarm, fire detection and fire extinguishing systems; call points in the nature of fire alarm and/or fire signalling apparatus; manual call points in the nature of fire alarm and/or fire signalling apparatus; sounders; sound and voice evacuation systems; monitoring apparatus; closed circuit television surveillance cameras to detect fire and smoke; fire break glass units; signalling lights; life saving apparatus and equipment; control panels; control panels for fire alarm, fire detection and fire extinguishing systems; computer software for use in connection with fire alarm, fire detection and fire extinguishing systems; fire protection apparatus and devices; electrically operated locks; card reader operated or numeric keypad operated machines; apparatus recorded with programs for the management of persons entering or leaving a room or building; parts and fittings for all the aforesaid goods included in Class 9.

Class 11. Apparatus for lighting; emergency lighting apparatus; security lighting; security lighting incorporating a

sensor; motion sensitive security lights; security lighting incorporating an infra-red activated sensor; lighting being for use with security systems; lamps for security lighting; parts and fittings for all the aforesaid goods included in Class 11.

Espire Limited, 102 Tettenhall Road, Wolverhampton West Midlands WV6 0BW, United Kingdom. Address for service is c/o Espire Limited, c/o Bayview IP, 134 Hollybrook Park, Bray, County Wicklow N, Ireland.



The logo for SPIORAD features the word 'SPIORAD' in a bold, green, sans-serif font. Above the letter 'I', there is a stylized green leaf or sprout icon.

270326 26 January 2024

Class 10. Surgical devices; surgical instruments; medical devices; medical instruments.

Judi O' Malley, 27 Strandmill Rd, Portmarnock, Dublin D13Y5Y0, Ireland. Address for service is c/o Judi O' Malley, 27 Strandmill Rd, Portmarnock, Dublin D13Y5Y0, Ireland.

The mark in use is/will be in the colour(s) Pantone / PMS 347 U / #169b62 Hex Color Code



WEST QUAY

270327 13 March 2024

Class 25. Clothing; headgear.

CD One Limited, Lodge Road, Westport, County Mayo, Ireland. Address for service is c/o Anne Ryan & Co, 2 Crofton Terrace, Dun Laoghaire, Co. Dublin, A96 V6P7, Ireland.

The mark in use is/will be in the colour(s) Navy (CMYK: C100, M98, Y30, K23) and white.

Mind Me Mind You

270328 12 March 2024

Class 41. Education.
Class 44. Occupational therapy.

Eithne Hunt, Belvedere, Farranlea Park, Model Farm Road, Cork T12 E6T1, Ireland. Address for service is c/o Eithne Hunt, Belvedere, Farranlea Park, Model Farm Road, Cork T12 E6T1, Ireland.

Circa Diem - Around A Day

270329 12 March 2024

- Class 41. Education.
Class 44. Occupational therapy.

Eithne Hunt, Belvedere, Farranlea Park, Model Farm Road, Cork T12 E6T1, Ireland. Address for service is c/o Eithne Hunt, Belvedere, Farranlea Park, Model Farm Road, Cork T12 E6T1, Ireland.

GDI Hub

270330 16 February 2024

- Class 35. Business consultancy services relating to product development; Business consulting services for start-up companies; Providing business management start-up support for other business; Business project management services; Business management, organisation and administration; office functions.
- Class 36. Investment of funds for charitable purposes; Charitable services; Charitable fund raising; Financial services relating to charities and fund raising; Organisation of collections; Provision of funding for charities; Credit, debit and charge card services; Monetary affairs; Organisation of fund raising activities and events; Financial grant services; Arranging of funds for overseas aid projects; Pension fund administration; Pension

fund management; Pension fund investment management; Investment analysis, Research services relating to investment; Fund investment consultation; Provision of investment savings plans; Financial planning and investment services; Providing financing to emerging and start-up companies; Venture capital funding services to emerging and start-up companies; Consultancy, advisory, and information services relating to all the aforementioned services.

- Class 41. Education, training, and instruction services; Online education services; Educational information services; Education services relating to quality services; Educational services provided by universities; Education services relating to conservation of the environment; Educational and training services relating to healthcare; Provision of educational services relating to biological topics; Arranging and conducting of in-person educational forums; Providing information in the field of education; Organisation of competitions [education or entertainment]; Organising entertainment events including the organising of hackathons; Educational research; Courses (Training -) relating to research and development; Training services in the field of project management; Provision of instruction for the disabled; Consultancy, advisory, and information services relating to all the aforementioned services.

- Class 42. Analysis and evaluation of product development; Product research and development; Design and testing for new product development; Design

services; Consultancy, advisory, and information services relating to all the aforementioned services.

GLOBAL DISABILITY INNOVATION HUB C.I.C., Gdi Hub, One Pool Street C/O Ucl, Institute Of Education, 20 Bedford Way, London, England WC1H 0AL, United Kingdom. Address for service is c/o Patricia McGovern, c/o DFMS Solicitors LLP, 38/39, Fitzwilliam Square, Dublin D02NX53, Ireland.



270331 22 February 2024

- Class 3. Non-medicated toilet preparations; dentifrices, mouthwashes and breath fresheners; oral care preparations, dental gels, bleaching preparations, tooth polishing preparations, tooth whitening preparations and accelerators, cosmetic stain removal preparations.
- Class 5. Medicated oral care preparations; medicated tooth polishing preparations, medicated tooth whitening preparations, medicated mouthwashes, medicated bleaching preparations, medicated chewing gum and lozenges for dental hygiene.
- Class 21. Toothbrushes; toothpicks; dental floss; brushes; sponges.

Stafford-Miller (Ireland) Limited, Clocherane, Youghal Road, Dungarvan, Co. Waterford, Ireland. Address for service is c/o TOMKINS & CO., 5 Dartmouth Road, Dublin 6, Ireland.



270332 22 February 2024

- Class 3. Non-medicated toilet preparations; dentifrices, mouthwashes and breath fresheners; oral care preparations, dental gels, bleaching preparations, tooth polishing preparations, tooth whitening preparations and accelerators, cosmetic stain removal preparations.
- Class 5. Medicated oral care preparations; medicated tooth polishing preparations, medicated tooth whitening preparations, medicated mouthwashes, medicated bleaching preparations, medicated chewing gum and lozenges for dental hygiene.
- Class 21. Toothbrushes; toothpicks; dental floss; brushes; sponges.

Stafford-Miller (Ireland) Limited, Clocherane, Youghal Road, Dungarvan, Co. Waterford, Ireland. Address for service is c/o TOMKINS & CO., 5 Dartmouth Road, Dublin 6, Ireland.

Green Tara College

270333 01 March 2024

Class 41. Vocational education and training services.

Ayni Ltd, Green Tara, Old Athboy Rd, Navan C15FF8X, Ireland. Address for service is c/o Ayni Ltd, c/o Brandt Dainow, Old Athboy Rd, Navan, C15FF8X, Ireland.



READY DOOR

270334 04 March 2024

Class 19. Wooden door frames.
Class 37. Carpentry.

Readydoor LTD, Unit 8, Charvey Court, Rathnew Business park, Wicklow A67 WR68, Ireland. Address for service is c/o Readydoor LTD, c/o Mark O'Brien, Unit 8, Charvey Court, Rathnew Business Park, Wicklow, A67 WR68, Ireland.

The mark in use is/will be in the colour(s) Orange, Black and white



270335 08 March 2024

Class 28. Device for carrying sports equipment.

Clodagh Desmond & Annamai Condon, Ballymacarbry, Waterford, Ireland. Address for service is c/o Clodagh Desmond & Annamai Condon, c/o Sinead Desmond, Tooreach, Ballymacarbry, E91XH10, Ireland.

Synecco

270336 12 March 2024

Class 40. Custom manufacture of medical devices for others.

Synecco Contract Manufacturing Ltd, Scariff Road, Whitegate, Clare v94fa03, Ireland. Address for service is c/o Synecco Contract Manufacturing Ltd, c/o Tony Doherty, Scariff Road, Whitegate, Clare v94fa03, Ireland.



270337 12 February 2024

Class 1. Chemicals used in industry and science; fatty acid methyl esters.

- Class 4. Biodiesel made from vegetable and animal oils and fats and fatty acids.
- Class 40. Custom treatment of materials for apparatus, devices and installations for generating biogas through the fermentation, gasification and pyrolysis of biomass; custom treatment of materials for apparatus, devices and installations for generating fatty acid methyl esters and glycerine through the transesterification of vegetable and animal oils and fats and fatty acids; custom treatment of materials for apparatus, devices and installations for generating ethanol through the fermentation of biomass.
- Class 42. Research and development in the field of chemistry; research and development in the field of the production of biogas, fatty acid methyl esters and ethanol, and products from biogases, fatty acid methyl esters and ethanol; engineering services; design agency services; technical development, technical planning of industrial installations, machines, parts and processes therefor, in the field of the production of biogas, fatty acid methyl esters and ethanol; technical project management; material testing; industrial analysis, synthesis and research in the field of chemistry; providing of expert opinion; engineering, namely start up and commissioning of industrial installations and components therefor, within the framework of technical supervision.

Green Biofuels Ireland Limited, Marshmeadows, New Ross, Co. Wexford Y34 TV72, Ireland. Address for service is c/o TOMKINS & CO., 5 Dartmouth Road, Dublin 6, Ireland.

Registration of this Trade Mark gives no right to the exclusive use of Green Biofuels

Solar Draino

270338 24 January 2024

- Class 9. Solar modules; Solar panels; Photovoltaic solar modules; Solar panel arrays; Solar panels for the production of electricity.
- Class 37. Installation and maintenance of solar thermal installations; Maintenance and repair of solar power installations.

Conor Mc Cormack, 93 Inis Mor, Fr Russell Road, Raheen, Limerick V94CVY6, Ireland. Address for service is c/o Conor Mc Cormack, 93 Inis Mor, Fr Russell Road, Raheen, Limerick V94CVY6, Ireland.

Eliatra Cloud Tresor

270339 14 March 2024

- Class 9. Security software.
- Class 42. IT security, protection and restoration; Information technology [IT] consulting services; Information technology [IT] support services [troubleshooting of software]; IT services.

EXCELERATE TECHNOLOGY LIMITED, 77 Camden Street Lower, DUBLIN D02 XE80, Ireland. Address for service is c/o EXCELERATE

TECHNOLOGY LIMITED, 77 Camden Street
Lower, DUBLIN D02 XE80, Ireland.

The mark in use is/will be in the colour(s) Pantone
328CP /Hex #007A6C

Opposition(s) under Section 43 of the 1996 Act

- 269271** KLEERD ECOM OPERATIONS LIMITED. Opposition filed 29 February 2024
- 269292** Tikolu Limited. Opposition filed 04 March 2024
- 269323** Base Control Management Limited. Opposition filed 04 March 2024
- 269432** Rogerio Adriano. Opposition filed 07 March 2024
- 269450** Vanquish Distributers Limited. Opposition filed 01 March 2024
- 266090** Rivian IP Holdings, LLC. Opposition withdrawn 12 March 2024
- 267620** Rivian IP Holdings, LLC. Opposition withdrawn 12 March 2024
- 267162** Martin O'Neill. Application withdrawn 20 March 2024

Application(s) Amended after Advertisement under the 1996 Act

Any person who desires to oppose the registration of these trade marks may within three months from the date of this Journal give notice to the Controller, in accordance with the provisions of Rule 18.

- 269452** Advertised in Journal No: 2505 on 20/12/2023. Specification of goods amended to read: Cl. 3. Aromatherapy lotions; Essential oils. Cl. 4. Candles. Cl.

16. Art prints; Photographic prints; Notebooks; Cards; Greeting cards; Giclee prints; Pictorial prints; Canvas prints; Photo prints; Printed postcards; Printed calendars; Printed posters; Printed booklets; Printed books. Cl. 21. Mugs. Cl. 24. Cushion covers; Blanket throws. Cl. 30. Chocolate. Cl. 41. Conducting of classes; Training courses; all of the aforesaid in the field of fine art. Cl. 42. Graphic illustration design.

Application(s) Amended after Advertisement under the 1996 Act following Opposition

- 269450** Advertised in Journal No. 2505 dated 20/12/2023
Specification of goods amended to read:
Class 19: Parquet flooring; Paving slabs, not of metal; Planks of wood for building; Wooden flooring.
Class 35: Retail services in relation to building and construction materials and elements, not of metal; Retail services in relation to tiles; Retail services in relation to floor tiles, not of metal; Retail services in relation to parquet flooring; Retail services in relation to paving slabs, not of metal; Retail services in relation to planks of wood for building; Retail services in relation to wall tiles, not of metal; Retail services in relation to wooden flooring; Online retail services in relation to building and construction materials and elements, not of metal; Online retail services in relation to tiles; Online retail services in relation to floor tiles, not of metal; Online retail services in relation to parquet flooring; Online retail services in relation to paving slabs, not of metal; Online retail services in relation to planks of wood for building; Online retail services in relation to wall tiles, not of metal; Online retail services in relation to wooden flooring.

Application(s) Withdrawn after Advertisement under the 1996 Act

269403 Gourmet Burger Kitchen (UK)
Limited

Application(s) deemed to be Withdrawn under Section 45(2) of the 1996 Act

268580 Perpetua Fitness
268581 Adam Nolan
268582 Jennifer O Riordan
268586 Sun Yuyu
268587 Deane McConkey
268589 Alex Gurnee
268592 Jiuhai Liu
268607 Maria Elliott
268611 Joe Corcoran
268638 Carlynn McCarthy
268639 Joe Corcoran
268642 Paul Connellan

Trade Marks Registered under the 1996 Act

259592a (2370) Cl. 29 30 32 WW FOODS, LLC
268617 (2495) Cl. 9. Cathal Ryan Hynes
268874 (2499) Cl. 7 11. Warmflow Engineering
Co. Limited
268909 (2500) Cl. 41. Lets Live Longer Now Ltd
268927 (2500) Cl. 41. Lets Live Longer Now Ltd
268938 (2500) Cl. 5. Alessio Roselli
268971 (2501) Cl. 36. Simon Sweeney
268978 (2501) Cl. 35 39 45. Beijing Qian Dai Fu
Information & Technology Co.
268988 (2501) Cl. 33. Sazerac Brands, LLC
269004 (2501) Cl. 9. Barry Woods
269011 (2501) Cl. 33. Shane Barker
269016 (2501) Cl. 14 16 24 25 28. Cantonlane
Limited
269035 (2501) Cl. 9. Declan Foster
269051 (2502) Cl. 16 25 35. Brendan McCarthy
and Susanne McCarthy
269053 (2502) Cl. 16 41 43 44. THE
FERTILITY KITCHEN LIMITED
269084 (2502) Cl. 29. 2 Sisters Food Group
Limited
269129 (2502) Cl. 7 12. Bernard Ryan
269143 (2503) Cl. 35 36 41. Walfrid Private
Limited

269164 (2503) Cl. 30. Zahra Bakhtiary
269182 (2503) Cl. 44. FASD Ireland Company
Limited by Guarantee
269203 (2503) Cl. 28. Aoife McHugh
269215 (2503) Cl. 24 25 28 37 42. Michael
Bennett
269226 (2503) Cl. 1. karthik chandran
269231 (2503) Cl. 25. Sarah Abail
269232 (2503) Cl. 25. Sarah Abail
269241 (2503) Cl. 30 40 43. Happy Out
Donnybrook Limited
269244 (2503) Cl. 41. Total Event Photography
LTD.
269247 (2503) Cl. 5. Richter Gedeon Nyrt.
269269 (2503) Cl. 10. Invera Medical Limited
269270 (2503) Cl. 10. Invera Medical Limited
269272 (2504) Cl. 29 30 32 35. Paul Cadden
269273 (2504) Cl. 29 30.
INTERCONTINENTAL GREAT
BRANDS LLC
269279 (2504) Cl. 41 43 44. College Green Hotel
Limited
269281 (2504) Cl. 9 35 36 41 42. Netlify, Inc.
269284 (2504) Cl. 3. Holos limited
269285 (2504) Cl. 6 17 19 37. Irish Rollforming
Limited
269286 (2504) Cl. 9 35 37 42. Kuecker Pulse
Integration, L.P.
269287 (2504) Cl. 9 35 37 42. Kuecker Pulse
Integration, L.P.
269288 (2504) Cl. 26. Emma King
269290 (2504) Cl. 36. Permanent TSB Public
Limited Company
269291 (2504) Cl. 9 11 16 18 21 25 32 33 35 36
40 41 43. C&C IP UK Limited
269297 (2504) Cl. 29 35. YOPLAIT MARQUES
269298 (2504) Cl. 38. Virgin Enterprises Limited
269303 (2504) Cl. 33. Old Carrick Mill Ltd
269304 (2504) Cl. 3 21. Spotlight Oral Care
Limited
269311 (2504) Cl. 6 25. COMPAGNIE
GENERALE DES ETABLISSEMENTS
MICHELIN
269312 (2504) Cl. 3 4 5. Thornton & Ross
Limited
269314 (2504) Cl. 10 14 16 24 25 26 28. Lou
Lou & Company, LLC
269315 (2504) Cl. 16 37 41 42. Kilgobbin Castle
Holdings Ltd t/a Insulex.
269316 (2504) Cl. 36 37. Branach Developments
Limited
269317 (2504) Cl. 41. Sean Fitzpatrick
269318 (2504) Cl. 35 44 45. Paul Davis
269321 (2504) Cl. 30 32 35 39 43. Base Control
Management Limited
269322 (2504) Cl. 41. Cathal Ryan Hynes
269325 (2504) Cl. 5 10. Haleon UK IP Limited

269326 (2504) Cl. 5 10. Haleon UK IP Limited
269327 (2504) Cl. 8 9 16 17 20 21 28. Aldi Stores (Ireland) Limited
269329 (2504) Cl. 9 16 35 36 38 41. IRISH LIFE GROUP LIMITED
269330 (2504) Cl. 33. Rothbury Wines Pty Ltd
269332 (2504) Cl. 23. Hedgehog Fibres Limited
269334 (2504) Cl. 9 21 24 25 27 28 35. Dongguan Saizheng Garment Co., Ltd.
269335 (2504) Cl. 5. Gilead Sciences Ireland UC
269336 (2504) Cl. 5. Gilead Sciences Ireland UC
269337 (2504) Cl. 5. Gilead Sciences Ireland UC
269338 (2504) Cl. 5. Gilead Sciences Ireland UC
269339 (2504) Cl. 5. Gilead Sciences Ireland UC
269340 (2504) Cl. 5. Gilead Sciences Ireland UC
269341 (2504) Cl. 5. Gilead Sciences Ireland UC
269342 (2504) Cl. 5. Gilead Sciences Ireland UC
269343 (2504) Cl. 5. Gilead Sciences Ireland UC
269344 (2504) Cl. 5. Gilead Sciences Ireland UC
269345 (2504) Cl. 5. Gilead Sciences Ireland UC
269346 (2504) Cl. 5. Gilead Sciences Ireland UC
269347 (2504) Cl. 5. Gilead Sciences Ireland UC
269348 (2504) Cl. 5. Gilead Sciences Ireland UC
269349 (2504) Cl. 5. Gilead Sciences Ireland UC
269350 (2504) Cl. 5. Gilead Sciences Ireland UC
269351 (2504) Cl. 5. Gilead Sciences Ireland UC
269352 (2504) Cl. 5. Gilead Sciences Ireland UC
269353 (2504) Cl. 5. Gilead Sciences Ireland UC
269354 (2504) Cl. 5. Gilead Sciences Ireland UC
269357 (2504) Cl. 36 42. The Prudential Insurance Company of America
269358 (2504) Cl. 25 28. Ivan Ballesteros
269361 (2504) Cl. 4 7 9 12 35 37 39 42. Micheldever Tyre Services Limited
269362 (2504) Cl. 7 12. Rack Move Ltd.
269363 (2504) Cl. 7. Bernard Ryan
269364 (2504) Cl. 25 35 36 41. The Westport Plaza & Castlecourt Hotel Resort
269366 (2504) Cl. 9 35. USHUAIA MERCHANDISING, S.L.
269367 (2504) Cl. 9 35 38 42. Amazon Technologies, Inc.
269368 (2504) Cl. 9 41. Trasken Retail Ltd
269377 (2504) Cl. 33. Old Carrick Mill
269378 (2504) Cl. 12. Hisham Aljadalla
269379 (2504) Cl. 36. Enterprise Holdings, Inc.
269381 (2504) Cl. 30 43. CC & H Imperial Ltd
269382 (2504) Cl. 37 42 45. MCD Fire Engineering Limited
269384 (2504) Cl. 9 37 41. Brendan Morris
269390 (2504) Cl. 41 44. Escape Studios Limited
269391 (2504) Cl. 14 16 35 36 41 44 45. Childhood Cancer Foundation
269392 (2504) Cl. 31 35 44. VILLA ROTUNDA LIMITED

269393 (2504) Cl. 29 30. Kepak Group Unlimited Company
269394 (2504) Cl. 29 30. Kepak Group Unlimited Company
269395 (2504) Cl. 16 35 41. Irish Pharmacy Union
269396 (2504) Cl. 5. Stephen Kavanagh

Renewal of Registrations Under Section 48 of the 1996 Act

44774 Cl. 25. Bata Brands S.A.
64270 Cl. 34. IMPERIAL TOBACCO LIMITED
64755 Cl. 5. NOVARTIS AG.
74823 Cl. 3. Balenciaga
74952 Cl. 9. PANAVISION INTERNATIONAL L.P.
75157 Cl. 25. R. G. BARRY CORPORATION
107877 Cl. 17. PHILMAC PTY. LIMITED
107897 Cl. 17. PHILMAC PTY. LIMITED
108618 Cl. 22. The Lycra Company UK Limited
108619 Cl. 23. The Lycra Company UK Limited
108740 Cl. 3. Balenciaga
108777 Cl. 7. EMAG MASCHINENFABRIK GMBH.
108779 Cl. 16. Victoria's Secret Stores Brand Management, LLC.
108780 Cl. 25. Victoria's Secret Stores Brand Management, LLC.
108841 Cl. 20. Gispén Nederland B.V.
109083 Cl. 5. TUTOGEN MEDICAL GMBH
109756 Cl. 9. HEICO OHMITE, L.L.C.
110674 Cl. 5. Osmond Ireland on Farm Business Limited
111470 Cl. 3. ALLERGAN, INC.
111471 Cl. 5. ALLERGAN, INC.
112528 Cl. 33. IMPERIAL TOBACCO LIMITED
115218 Cl. 5. Phoenix Labs Unlimited Company
116631 Cl. 30. Jacobs Douwe Egberts DE GmbH
229071 Cl. 21. LG HOUSEHOLD & HEALTH CARE LTD.
229262 Cl. 19. CEMBRIT HOLDING A/S
229369 Cl. 29, Cl. 30. MOLKEREI ALOIS MÜLLER GMBH & CO. KG
229431 Cl. 6. KINGSPAN GROUP PLC
229524 Cl. 29. DALE FARM LIMITED
230011 Cl. 11, Cl. 20, Cl. 40. KINGSPAN GROUP PLC
230544 Cl. 11, Cl. 20. KINGSPAN GROUP PLC
230853 Cl. 35, Cl. 41. WICKLOW SAILING CLUB
231185 Cl. 1, Cl. 5, Cl. 10, Cl. 44. Astellas Pharma Inc.

- 231676** Cl. 3, Cl. 8, Cl. 21, Cl. 24, Cl. 25, Cl. 35, Cl. 44. Unilever Global IP Limited
- 233673** Cl. 21, Cl. 24. FIBERWEB, LLC
- 234360** Cl. 25. Easton Diamond Sports, LLC
- 250185** Cl. 30. MULLINS ICE CREAM LTD
- 250189** Cl. 30. MULLINS ICE CREAM LTD
- 250458** Cl. 30. KELLANOVA
- 250578** Cl. 25. J.D. WILLIAMS & COMPANY LIMITED
- 250801** Cl. 8, Cl. 9, Cl. 10, Cl. 17, Cl. 31. Mullinahone Co-operative Dairy Society Ltd
- 250902** Cl. 29, Cl. 30, Cl. 43. SUPERMAC'S IRELAND LTD
- 251013** Cl. 32. Bulmers Limited
- 251393** Cl. 30, Cl. 35, Cl. 43. NWGH HOLDINGS LTD T/A MR. WAFFLE
- 251477** Cl. 35, Cl. 36. Palmerston Limited
- 251478** Cl. 35, Cl. 36. Palmerston Limited
- 251506** Cl. 3. Unilever Global IP Limited
- 252008** Cl. 33. Vitivinicola Perez Cruz Limitada.
- 253788** Cl. 37. Salta Tyre & Autoservice Holdings Limited
- 257026** Cl. 3. PAPOUTSANIS S.A.

International Registrations under the Madrid Protocol seeking protection in the State.

Any person desiring to oppose the conferring of protection in the State to the undermentioned marks may, within three months from the date of this Journal give notice to the Controller, in accordance with the provisions of Rule 18.

It should be noted that under the provisions of Rule 63(2) no extension of the opposition period is allowed for lodging opposition under Rule 18.

It is desirable before lodging formal opposition that a communication should be addressed to the holder affording him an opportunity to withdraw his application for protection of the International Registration in the State. In this way cost of opposition proceedings may be avoided.

TRADERNET

1745026 29/03/2023

Class 9. Software; software platforms; application software; software applications; downloadable software; mobile software; financial management software; computer software platforms; all of the aforesaid for use in relation to financial investment, stock brokerage, stock trading, buying stocks, stock investment management and financial services relating to buying and trading of commodities; none of the aforesaid relating to the provision of insurance, loans, mortgages, vehicle financing or loan and mortgage comparison tools.

Class 35. Business analysis; business information; business marketing services; database management; collection of data; compilation of data; business data analysis; electronic data processing; advertising services relating to financial investment, stock brokerage, stock trading,

buying stocks, stock investment management and financial services relating to buying and trading of commodities; recording the transfer of stocks; recording the transfer of shares; registration of securities transfers; information, advisory and consultancy services relating to all of the aforesaid; none of the aforesaid relating to the provision of insurance, loans, mortgages, vehicle financing or loan and mortgage comparison tools.

Class 36. Investment brokerage; investment management; investment information; investment analysis; investment consultancy; investment advice; investment services; fund investment; capital investment; stock investment management; brokerage; brokerage services; stock brokerage; bonds brokerage; brokerage (financial -); stock trading; trading in bonds; currency trading; electronic financial trading services; financial services relating to buying and trading of commodities; share management; share portfolio

management; brokerage of shares and other securities; financial management of share accounts; stocks and shares information services; financial services related to dealing in shares; financial management of shares in other companies; stock exchanges for dealing in shares and other financial securities; conducting share transactions; conducting financial investment transactions in the securities sector; conducting transactions in securities and bonds; settlement of stock exchange transactions; equity brokerage; management of stocks; financial information processing; financial investment brokerage; agencies in the field of bonds and other securities; exchange market services relating to commodity futures contracts; electronic stock transfer initiation services; quotation of stock exchange prices; stockbroker services; creation of share investment plans; bullion brokerage services; provision of information and data on stock exchanges; provision of information relating to stock exchange prices; information, advisory and consultancy services relating to all of the aforesaid; none of the aforesaid relating to the provision of insurance, loans, mortgages, vehicle financing or loan and mortgage comparison tools.

Class 42.

Providing online, non-downloadable software; providing temporary use of non-downloadable software; platform as a service [PaaS]; software as a service [SaaS]; all of the aforesaid for use in relation to financial investment, stock brokerage, stock trading, buying stocks, stock investment management and financial services relating to buying and trading of

commodities; information, advisory and consultancy services relating to all of the aforesaid; none of the aforesaid relating to the provision of insurance, loans, mortgages, vehicle financing or loan and mortgage comparison tools.

Class 45. Mediation services in relation to shares.

Priority Date Claimed: 14 November 2022 United Kingdom

Freedom Prime UK Ltd, 30 Churchill Place, Canary Wharf, London E14 5RE, United Kingdom

Representative: Mathys & Squire LLP, The Shard, 32 London Bridge Street, London SE1 9SG, United Kingdom

Address for service: FRKelly, Waterways House, Grand Canal Quay, Dublin D02 PD39, Ireland



1766159 13/11/2023

Class 3. Cosmetic skin care preparations; cosmetic skin cleansing preparations; cosmetic bath and shower preparations; deodorants and anti-perspirants for personal use.

Priority Date Claimed: 11 September 2023 Germany

Beiersdorf AG, Corporate Trademark Department, Unnastr. 48, 20253 Hamburg, Germany

Notings: The request for protection is proceeding with the consent of the proprietors of Registered

European Union Trademark No.
003682671.

Address for
service: TOMKINS & CO., 5 Dartmouth
Road, Dublin 6, Ireland

NJJ

1774186 23/11/2023

- Class 35. Commercial business management; commercial administration; commercial or industrial company management assistance; business management and organization consultancy; accounting; commercial assistance in business management; company management for others; commercial intermediary services in the framework of bringing prospective private investors in contact with entrepreneurs looking for financing; public relations; company audits (commercial analyses); business information; commercial business expertise; market study.
- Class 36. Financial affairs; monetary affairs; real estate affairs; financial operations; monetary operations; trading of shares; management of the share capital of holding companies; investment trust management; financial management of stocks; management of mutual funds; asset management services; fund management services; management of pension fund investments; Investment company services; financial investment services, in particular capital, financing and insurance investments;

financial management of holding companies; investment of funds for others; equity capital investment; financial investments; fund investment; financing services; equity financing; loan financing; financial services concerning shares; financing of mergers; acquisition financing; raising of financial capital; venture capital financing; recording of share transfers; equity underwriting services; share registration services; recording transactions between parties relating to corporate shares; management of capital investment funds; valuation of equity capital; stock brokerage services; stock brokerage; financial information; financial analysis; financial consultation.

- Class 38. Telecommunication; providing information with respect to telecommunications; provision of access to and rental of access time to computer networks; communications by fiber-optic networks; communications by computer terminals; radio communications; telephone communications; provision of computer access to communication networks; paging services (radio, telephone or other electronic means of communication); cellular telephone communication; message transmission; computer-aided image transmission; voice messaging services; electronic messaging services; information relating to telecommunications; providing access to Internet forums.

- Class 42. Research and development of new products for third parties; conducting of technical

project studies; updating services for computer programs; design and updating of software; technical assistance services (advice) in the field of telecommunications; electronic data storage; data hosting.

Priority Date Claimed: 16 November 2023 France

NJJ HOLDING, 16 rue de la Ville L'Évêque, F-75008 Paris, France

Representative: ATLAN & BOKSENBAUM AVOCATS, Madame BOKSENBAUM Nathalie, 5 rue Saint-Didier, F-75116 Paris, France



1774240 29/08/2023

Class 9. Computers; compact discs, DVDs and other digital recording media; computer software; computer software programs; computer software downloadable from the internet; computer game software; interactive computer software; computer software (recorded); cryptography software; downloadable computer software for managing cryptocurrency assets using blockchain technology; virtual reality apparatus; virtual reality software; downloadable digital media content, including digital collectibles in the nature of downloadable files authenticated by non-fungible tokens [NFTs]; downloadable virtual goods, namely, computer programs in relation to sporting equipment, vehicle

equipment, decorative items, clothing, clothing accessories, bags, wallets, umbrellas, lanyards, ear protectors, headphones, games, toys, souvenirs, trinkets, keyrings, printed matter, books, posters, digital art, photographs, paintings, sculptures, audio recordings, video recordings, stationery, jewellery, perfumery, electronic products, DVDs, cellular telephone covers, computer software, computer games, containers for food, containers for beverages; downloadable digital files authenticated by non-fungible tokens (NFTs) in relation to sporting equipment, vehicle equipment, decorative items, clothing, clothing accessories, bags, wallets, umbrellas, lanyards, ear protectors, headphones, games, toys, souvenirs, trinkets, keyrings, printed matter, books, posters, digital art, photographs, paintings, sculptures, audio recordings, video recordings, stationery, jewelry, perfumery, electronic products, DVDs, cellular telephone covers, computer software, computer games, containers for food, containers for beverages for use online and in online virtual worlds; downloadable e-wallets; televisions; photographic equipment; radios; apparatus for reading digital music; audio recordings; video recordings; entertainment software; earphones; earphones with hearing protection; headsets; headsets for cellular telephones; headsets with hearing protection; headphones; headphones with hearing protection; headphones for cellular telephones; stereo headphones; music headphones; in-ear headphones; noise cancelling

headphones; noise cancelling headsets; noise reduction headsets; noise reduction headphones; wireless headphones; wireless headsets; cases for headphones; cases for headsets; cases for ear plugs; binoculars; rechargeable batteries; batteries; protective helmets for sports; video game cassettes; mouse pads; cords for sunglasses; cords for glasses; video game discs; portable electronic storage devices, namely disk drives, jump drives, USB flash drives and other electronic information storage and memory devices; mobile phone cases; cellular telephone covers; gloves for protection against accidents; magnets; decorative magnets; eyeglasses; memory sticks; magnetic identification bracelets; software for games; electronic publications; electronic publications (downloadable); electronic publications downloadable from internet; portable radios; audio-receivers; video-receivers; clothing for protection against fire; simulators for the steering and control of vehicles; integrated circuit cards (smart cards); magnetic cards (encoded); magnetic identity cards; magnetic payment cards; anti-glare glasses; protection goggles; sunglasses; clothing for protection against accidents, irradiation and fire; video discs, video tapes, magnetic tapes, magnetic discs, DVDs, floppy discs, optical discs, compact discs, mini-discs, CD-ROMs, all the aforementioned being blank or pre-recorded with music, sound or images (which may be animated); anti-dazzle spectacles; trading cards, magnetically encoded; digital trading cards; encoded loyalty

cards; digital loyalty cards; protective masks, not for medical purposes; dust masks; respiratory masks, not for medical purposes; face protection shields.

Class 12. Apparatus for locomotion by land, air or water; vehicles; non-skid devices for vehicle tires; tires for vehicles; motor buses; automobiles; aeroplanes; bicycles; air pumps (vehicle accessories); bicycle bells; anti-skid chains; inner tubes for pneumatic tires; vans; trucks; caravans; treads for retreading tires; safety belts for vehicle seats; casings for pneumatic tires; tire covers; sun-blinds adapted for automobiles; motor racing cars; baby carriages (strollers); windshield wipers; seat covers for vehicles; vehicle covers (shaped); covers for vehicle steering wheels; gear shift covers; hot air balloons; airships; hub caps; rims for vehicle wheels; vehicle wheel covers; rim stands; motorcycles; engines for land vehicles; scooters (vehicles); luggage carriers for vehicles; ski carriers for vehicles; trailers (vehicles); rear-view mirrors; vehicle wheels; safety seats for children (for vehicles); boats; valves for tires; electric vehicles; refrigerated vehicles; utility vehicles; wagons; adhesive rubber patches for repairing inner tubes; remote controlled vehicles.

Class 16. Photographs; instructional materials; teaching materials (except apparatus); books; stationery; paintbrushes; printed matter; stickers (stationery); diaries; albums; sticker albums; photograph albums; tickets; notepads; pens; fibre-tip writing pens; felt-tip writing pens; paper bags; pencil cases; decalcomanias; calendars; paint boxes; folders for

- papers; posters; newspapers; writing cases (stationery); bumper stickers; pamphlets; pen sets; pencil sets; drawing sets; collectible photographs of sports personalities; identity card holders; rubber erasers; writing instruments; pencils; colouring pencils; pencil ornaments; activity books; plastic holders for visiting cards; autograph books; pencil sharpeners (electric or non-electric); marker pens; printed teaching material; writing cases (sets); paper banners; paper; entry tickets; books and reviews, including those relating to sports personalities and sports events; boxes for pens; event programs; colouring books; drawing books; writing books; covers for entry tickets; event entry passes; lanyards for holding cards and tickets; lanyard holders for holding cards and tickets; lanyards for holding tickets; lanyards for holding paper cards; comic books; magazines (periodicals); greeting cards; postcards; trading cards; printed event admission tickets; holders for tickets; works of art, figurines and models of paper and cardboard.
- Class 18. Leather and imitations of leather and goods made of these materials, namely bags, handbags, travel bags, leisure bags, rucksacks, backpacks, trunks and suitcases; umbrellas; parasols; tote bags; suitcases; bags; sport bags; sport bags (other than those adapted for the goods they are designed to contain); belt bags; school bags; bags of leather; handbags; travel bags; leisure bags; boxes of leather or leather board; wallets; travel trunks; vanity cases (not fitted); leather; imitation leather; luggage bags; carrying bags; key cases (leatherware); luggage tags; purses; backpacks; rucksacks; toiletry bags; wheeled bags; beach bags; garment bags for travel; card cases (notecases); business card cases; leather straps; leather cases for entry passes, VIP passes; document holders (carrying cases); baggage tags.
- Class 25. Clothing; footwear; headgear; coats; waistcoats; stadium vests (marking vests); scrimmage vests; swimwear; hats; caps; boots; scarves; shoes; shirts; headbands; belts (clothing); neckties; aprons; sweatshirts; braces for clothing; skirts; shawls; bandanas (neckerchiefs); knitted caps; gloves; waterproof clothing; jackets; blazers; sports jackets; sleeveless jerseys; pullovers; sleeveless pullovers; sweaters; tracksuits; socks; trousers; shorts; knitwear (clothing); wrist bands; suits; sports shoes; t-shirts; sandals; uniforms; dresses; motorists' clothing; caps with visors; sashes for wear; face masks [clothing]; none of the aforementioned goods intended or adapted for use in an orthopaedic or therapeutic setting, for orthopaedic or therapeutic muscle or joint support, or as orthopaedic or therapeutic compression or anti-embolism products.
- Class 28. Gymnastic and sporting articles not included in other classes; games; toys; playthings; electronic games apparatus adapted for use with television sets; electronic games apparatus other than those adapted for use with television sets; electronic game apparatus with liquid crystal displays; electronic games apparatus; video game machines; handheld video games apparatus; apparatus for games other than those adapted for use with an

external display screen or monitor; steering wheel shaped game controllers for use with video games and electronic games; pedal shaped controllers for use with video and electronic games; gear lever shaped controllers for use with video and electronic games; gaming equipment, namely, gaming simulator seats and cockpits for use with video and electronic games; cabinets for video and electronic game machines; articles for sports; balls for play; sporting bags adapted for carrying sports articles; containers adapted for carrying sports articles; gaming consoles; voice-adapted or hand-operated game controllers; playing cards; trading cards for games; board games; portable games with liquid crystal display; inflatable toys; robots (toys) for entertainment; joysticks for video games; foam hands (toys); scale model vehicles; skate boards; plush dolls; joysticks for game consoles; toy scooters; roller skates; plush toys; toy figurines; scale model figures; balls for games; puzzles; jigsaw puzzles; toy vehicles; remote control toy vehicles; paper face masks; face masks for sports; action skill games; toy construction sets; toy construction sets, namely miniature race cars; radio-controlled toys; radio-controlled model vehicles; none of the aforementioned goods intended or adapted for use in an orthopaedic or therapeutic setting, for orthopaedic or therapeutic muscle or joint support, or as orthopaedic or therapeutic compression or anti-embolism products.

Class 35. Advertising; advertising services; compilation and recording of data and

information on sports performances; dissemination of advertising matter; compilation of statistics; rental of advertising space; rental of advertising time via any means of communication media; presentation of goods on any communication media for retail services; promotion of the goods and services of third parties; promotion of third parties through advertisements (sponsors); promotion of goods and services through sponsorship; promotion of goods and services through sponsorship of sports events; promotion (advertising) of events, sports, cultural and leisure activities; provision of space on websites for advertising of goods and services; online advertising on a computer network; advertising for sports events; television advertising, radio advertising; promoting the goods and services of others by arranging for sponsors to affiliate their goods and services with events, sports, cultural and leisure activities; arranging of contracts for the purchase and sale of goods or services for others; arranging of buying and selling contracts for third parties; promotion of sports competitions and events; promotion of goods and services for others through sponsorship of sports events; compilation of statistical information; provision of statistical information relating to business; services for retailing of solvents, paraffin, waxes, bitumen and gasoline; retailing of goods of all kinds [business intermediary services]; promotion of services in relation to motorsport training and development; administration and management of sports personalities; business

<p>representation services for others; administration and management of motor racing drivers; promotional management of sports personalities; promotional management of young racing drivers; sponsorship search and consultancy, administration and management on this service.</p> <p>Class 41. Sporting and cultural activities; education; entertainment; providing of training in relation to motorsport; education relating to motorsports; provision of training relating to the business of motorsport; provision of training relating to team performance and dynamics; provision of training relating to theoretical and practical understanding of vehicle dynamics; coaching in the field of sports; coaching in the field of motor sports; provision of information relating to motor sport; driving instruction; driving schools; entertainment services provided at motor racing circuits; corporate hospitality in the nature of entertainment services relating to motor sports; sports management of motorsports teams; organisation of electronic sports activities; arranging of award ceremonies in recognition of sports achievements; arranging of award ceremonies; sports refereeing and officiating; training services through simulators; rental of training simulators; radio or television reporting services in the field of sports events; timing of sports events; music entertainment services via digital and telecommunication networks; booking agencies for tickets for cultural and sport events, including motor sports; entertainment through films,</p>	<p>television, performances and shows; interactive entertainment; practical training (demonstration); educational information provided online from a computer database or via the internet or via any wireless electronic communication network; entertainment information (including in connection with sport), provided online from a computer database or via the internet or via any wireless electronic communication network; rental of sound and picture recordings for entertainment purposes; rental of video and audio-visual installations; organisation of motorsport racing; conducting, organising and arranging of training for motorsport racing; organisation of events relating to motor sport; organising and conducting motorsport competitions; organisation of sports competitions; arranging motorsport/racing contests; organisation of computer games competitions; arranging and conducting of training workshops; providing sports facilities; providing recreation facilities; production of radio and television programmes and videotape films; production, presentation, distribution and/or rental of film recordings and sound and video recordings; providing electronic publications; reservation of entry tickets to sports or entertainment events; organisation of public viewing events for live and delayed broadcasts of motorsports events; entertainment services in connection with sports events; information services concerning sports events or entertainment; hospitality services (entertainment);</p>
--	--

audio and video recording services; electronic games services provided by means of the internet or mobile telephones; ticket reservation services for entertainment, sporting and cultural events; provision of entertainment facilities; provision of sports information; providing facilities for sports events; arranging and conducting of entertainment events for charitable purposes; arranging and conducting of sports events for charitable purposes; arranging and conducting of educational events for charitable purposes; arranging and conducting of sporting and cultural activities for charitable purposes.

Priority Date Claimed: 03 March 2023 Benelux

Priority Date Claimed: 28 March 2023 Benelux

Formula One Licensing B.V., Beursplein 37, NL-3011 AA Rotterdam, The Netherlands

Representative: Gill & Gill, 1 Cornhill, London EC3V 3ND, United Kingdom



1774449 21/11/2023

- Class 12. Parts and fittings for land vehicles.
- Class 35. Retail services in relation to parts and fittings for land vehicles; wholesale services in relation to parts and fittings for land vehicles.

ALTE AUTOMOTIVE SPÓŁKA Z OGRANICZONA ODPOWIEDZIALNOSCIA, Zakopianska 112, PL-30-435 Kraków, Poland

Colour Claimed: Gray and dark blue.

Representative: JOANNA MAGDALENA GRAJCZYNSKA, Wierzbicice 9, PL-61-569 POZNAN, Poland

FIERCELY HUMAN CONSULTING

1774655 20/09/2023

- Class 35. Business consulting and information services; business consulting, management, planning and supervision; business management consulting and advisory services; providing business management information in connection with consulting and advisory services in the field of strategic planning; business process management and consulting; business process re-engineering services; business merger consultation.
- Class 36. Financial analysis and consultation.
- Class 42. Information technology consultation; computer project management in the fields of information systems design, specification, procurement of computer hardware and software for others; consulting services in the field of providing online, non-downloadable software and applications; consulting services in the field of providing online, downloadable software and applications; design and development of computer

software; design and development of on-line computer software systems; computer software consultation; computer systems analysis; consultation services in the fields of selection, implementation and use of computer hardware and software systems for others; consulting services in the field of design of computer hardware and software systems for others.

Priority Date Claimed: 22 March 2023 United States of America

Slalom, Inc., Suite 1900, 821 2nd Avenue, Seattle WA 98104, United States of America

Representative: Jeffrey A. Smith Millen, White, Zelano & Branigan, P.C., 2200 Clarendon Boulevard, Suite 1400, Arlington VA 22201, United States of America

Registration of this Trade Mark gives no right to the exclusive use of "CONSULTING"

Archi-Flame

1775030 03/01/2024

Class 11. Air reheaters; hot air apparatus; heating apparatus; hearths; fireplaces, domestic; heating apparatus for solid, liquid or gaseous fuels; stoves [heating apparatus]; radiators, electric; pocket warmers.

Ningbo Richen Electrical Appliance Co., Ltd., No. 1, Building 1 (Floor 1 & 2), No. 19, Yongdinghe Road, Xiapu, Beilun, Ningbo, 315800 Zhejiang, China

Representative: Ningbo Tianyi Trademark Agency Co., Ltd., 8-82-1, Building 017, No. 128 Huizhan

Road, Yinzhou, Ningbo, 315040 Zhejiang, China

THEAPHY

1775199 08/12/2023

Class 3. Cosmetics for ocular and periocular use; ocular and periocular washing solutions, other than for medical use.

Class 5. Pharmaceutical products for ocular and periocular use; preparations, substances and products for ocular and periocular use; eye lotions for medical use; collyriums; solutions for ocular washes; disinfectants for ocular and periocular use.

Priority Date Claimed: 28 July 2023 France

LABORATOIRES THEA, 12 rue Louis Blériot, Zone Industrielle du Brezet, F-63100 CLERMONT-FERRAND, France

Representative: HARLAY AVOCATS, Madame Dominique MALLO, 83 boulevard Haussmann, F-75008 PARIS, France

BE YOURSELF WITH EACH BREATH

1775378 21/12/2023

Class 3. Amber [perfume]; antistatic preparations for household purposes; air fragrancing preparations; balms, other than for medical purposes; sachets for perfuming linen;

adhesives for cosmetic purposes; scented water; Javelle water; lavender water; micellar water; toilet water; massage gels, other than for medical purposes; heliotropine; geraniol; deodorants for human beings or for animals; air fragrance reed diffusers; scented wood; perfumes; perfumery; ionone [perfumery]; hair conditioners; cosmetic dyes; body paint for cosmetic purposes; cosmetic creams; creams for whitening the skin; incense; hair lotions; lotions for cosmetic purposes; after-shave lotions; beauty masks; oils for perfumes and scents; oils for cleaning purposes; oils for cosmetic purposes; oils for toilet purposes; essential oils; essential oils of cedarwood; essential oils of lemon; essential oils of citron; bergamot oil; gaultheria oil; jasmine oil; lavender oil; almond oil; rose oil; oil of turpentine for degreasing; almond milk for cosmetic purposes; cleansing milk for toilet purposes; musk [perfumery]; soap; deodorant soap; shaving soap; cakes of toilet soap; antiperspirant soap; almond soap; mint for perfumery; make-up kits; eau de Cologne; joss sticks; cosmetic preparations for baths; bath preparations, not for medical purposes; collagen preparations for cosmetic purposes; aloe vera preparations for cosmetic purposes; tissues impregnated with cosmetic lotions; tissues impregnated with make-up removing preparations; safrol; massage candles for cosmetic purposes; potpourris [fragrances]; bath salts, not for medical purposes; fumigation preparations [perfumes]; astringents for cosmetic purposes; eyebrow cosmetics; sun-tanning

preparations [cosmetics]; cosmetic preparations for skin care; cosmetics; cosmetics for children; douching preparations for personal sanitary or deodorant purposes [toiletries]; bleaching preparations [decolorants] for cosmetic purposes; toiletry preparations; antiperspirants [toiletries]; phytocosmetic preparations; talcum powder, for toilet use; cotton swabs for cosmetic purposes; terpenes [essential oils]; henna [cosmetic dye]; shampoos; dry shampoos; herbal extracts for cosmetic purposes; extracts of flowers [perfumes]; ethereal essences; badian essence; mint essence [essential oil].

Zielinski and Rozen perfumerie LLC, Samokatnaya street, house 4, bldg. 6, room 1, suite 1, office rooms 1, 1a, 1b, 2, part of room 9, RU-111033 Moscow, Russian Federation

Representative: Elena Vorobieva, Card Patent LLC, P.O. Box 9, RU-123298 Moscow, Russian Federation



1775812 14/11/2023

Class 35. Billing services in the field of energy; reading of electricity meters for billing purposes; administrative services in the field of energy distribution; assistance and consultancy

services in the field of business management of companies in the energy sector; tracking and monitoring of energy consumption for third parties for account auditing purposes; commercial advertising and promotion of services in the field of energy; commercial information relating to the field of energy; business management and administration; management assistance for commercial or industrial businesses; office functions; computerized file management services; management and compilation of databases; computer file management; computerized file management; arranging subscriptions to services on the Internet for third parties; establishing statistics; management of loyalty and incentive programs; services provided by a franchiser, namely commercial assistance in the operation or management of industrial or commercial companies; information and advisory services relating to the aforesaid services, including online.

Class 39. Distribution of energy; energy and electricity distribution; storage of energy and fuels; distribution of energy for heating and cooling buildings; distribution of electrical energy, gas, water and district heating; storage and distribution of energy and fuels as well as supply of these products; storage and distribution as well as supply of energy and fuel; information services and provision of advice in relation to the distribution of energy; information and advisory services relating to the aforesaid services, including online.

H & C ABDON - ISIDORE, 22 route du Col de Sous, F-66230 Prats-de-Mollo-la-Preste, France

Representative: CABINET BREV&SUD,
Monsieur RHEIN Alain, 55 av
Clément Ader, F-34170
CASTELNAU-LE-LEZ, France

Cancellations effected for the following goods/services under the Madrid protocol

- 1629574** Respire Pink Flex
Cancellation in respect of all goods and services registered at WIPO on 01/03/2024.
- 1494800** BY WE
Cancellation in respect of all goods and services registered at WIPO on 01/03/2024.