

## Research Article

# Evolutionary Origins of the Fumonisin Secondary Metabolite Gene Cluster in *Fusarium verticillioides* and *Aspergillus niger*

Nora Khaldi<sup>1</sup> and Kenneth H. Wolfe<sup>2</sup>

<sup>1</sup>UCD Conway Institute of Biomolecular and Biomedical Research, UCD School of Medicine and Medical Sciences, and UCD Complex and Adaptive Systems Laboratory, University College Dublin, Dublin 4, Ireland

<sup>2</sup>Smurfit Institute of Genetics, Trinity College Dublin, Dublin 2, Ireland

Correspondence should be addressed to Nora Khaldi, khaldin@tcd.ie

Received 15 October 2010; Revised 10 January 2011; Accepted 15 March 2011

Academic Editor: Hiromi Nishida

Copyright © 2011 N. Khaldi and K. H. Wolfe. This is an open access article distributed under the Creative Commons Attribution License, which permits unrestricted use, distribution, and reproduction in any medium, provided the original work is properly cited.

The secondary metabolite gene clusters of eukaryotic fungi are among the largest known clusters of functionally related genes in eukaryotes. Most of these clusters are species specific or genus specific, and little is known about how they are formed during evolution. We used a comparative genomics approach to study the evolutionary origins of a secondary metabolite cluster that synthesizes a polyketide derivative, namely, the fumonisin (FUM) cluster of *Fusarium verticillioides*, and that of *Aspergillus niger* another fumonisin (fumonisin B) producing species. We identified homologs in other eukaryotes of the *Fusarium verticillioides* FUM genes and their flanking genes. We discuss four models for the origin of the FUM cluster in *Fusarium verticillioides* and argue that two of these are plausible: (i) assembly by relocation of initially scattered genes in a recent *Fusarium verticillioides*; or (ii) horizontal transfer of the FUM cluster from a distantly related Sordariomycete species. We also propose that the FUM cluster was horizontally transferred into *Aspergillus niger*, most probably from a Sordariomycete species.

## 1. Introduction

The order of genes along eukaryotic chromosomes is often assumed to be random, but there is growing evidence that the chromosomal position of some genes is maintained by natural selection [1–3], and that selection can sometimes operate to move genes to new locations [4–6]. Among the eukaryotes, many of the most notable examples of the physical clustering of genes with related functions occur in the filamentous fungi [7–10]. The most striking fungal gene clusters are those involved in the synthesis of secondary metabolites such as sterigmatocystin (a 25-gene cluster in *Aspergillus nidulans* [11]), fumonisin (a 17-gene cluster in *Fusarium verticillioides* [12, 13]), and trichothecene (a 12-gene cluster in *Fusarium sporotrichioides* [14]). Secondary metabolites are organic molecules that are not essential for the normal growth of the fungus but which function in host/pathogen interactions or other forms of communication or warfare between organisms. They are typically modified polyketides, terpenes, alkaloids, or nonribosomal

peptides [15]. Synthesis of these molecules requires many successive enzymatic steps, and the genes for these enzymes are almost invariably clustered together at a single genomic location. It has been suggested that physical clustering may allow the genes to be coregulated by means of chromatin modification [15], or that it may facilitate horizontal transfer of intact clusters between species [16].

Since the discovery of secondary metabolite gene clusters, their mechanism of origin and assembly has remained a matter of speculation. The growing number of available eukaryotic genome sequences now enables us to both predict new secondary metabolite clusters [17] and take a phylogenomic approach to the evolutionary origins of these clusters. In this study we focus on one of the largest known secondary metabolite clusters “Fumonisin”, a polyketide synthase type cluster. Fumonisin (FB/FC) are mycotoxins produced by some species in the *Gibberella fujikuroi* species complex, of which *F. verticillioides* and *F. proliferatum* are the most studied (*Gibberella* is a teleomorphic form of the genus *Fusarium*). The FUM genes are organized as a

cluster of 17 genes in both species (including *FUM20* and *FUM21*, two additional genes recently revealed in the cluster [13]), though the location of the cluster differs between the two [12, 18]. The products of the *FUM* cluster genes include a polyketide synthase, fatty acyl-CoA synthases, and cytochrome P450 monooxygenases. Expression of the genes in the cluster, but not the neighboring genes, is induced under conditions when fumonisin (FB/FC) is synthesized [12]. The ability to synthesize fumonisin (FB/FC) has a patchy phylogenetic distribution across the genus *Fusarium*, due to the variable presence or absence of the *FUM* cluster among different isolates [19]. *F. graminearum*, for instance, does not synthesize fumonisin.

Recently, fumonisin (FB) production has also been reported in *Aspergillus niger* [20]. The genes in this species are also clustered and homologous to the *FUM* genes of *F. verticillioides* [21]. This is surprising given the large evolutionary distance between *A. niger* and *F. verticillioides*.

We combined comparative genomics with phylogenetic analysis to investigate whether genes in the *FUM* cluster have homologs in filamentous fungi that do not synthesize the mycotoxins, and so to study how this cluster was formed.

## 2. Methods

Our analysis was done using the completely sequenced genomes of the euascomycetes *A. nidulans* [22], *F. graminearum* [23], *M. grisea* [24], and *N. crassa* [25]. A set of 87,000 expressed sequence tags from *F. verticillioides* [26] was used for analysis of rates of sequence evolution in this species compared to *F. graminearum*.

To identify homologs of genes in the *FUM* clusters, we first used each protein as a query in a BLASTP search against the NCBI nonredundant protein sequence database. Because the *F. verticillioides* genome is not present in this database, we made a local BLAST database for expressed sequence tags from this species. Sequences giving hits with Expect (*E*) values of less than  $1e - 4$  were retained and used for phylogenetic analysis. Each set of proteins was aligned using ClustalW [27] and poorly aligned regions were removed using Gblocks [28]. Maximum likelihood trees were constructed using PHYML [29] with the JTT amino acid substitution matrix and four categories of substitution rates. Bootstrapping was done using the default options in PHYML with 100 replicates per run. The trees were eyeballed, the distant sequences were removed, and the steps above (ClustalW, Gblocks, and PHYML) were repeated on the remaining sequences.

## 3. Results

In the following we are interested in identifying scenarios that can explain the origins of the current *FUM* gene cluster. We do this by listing all possible scenarios that might have taken place in evolution, and comparing their plausibility. Building an evolutionary scenario is not straightforward because many of the events took place in extinct species and only a few clues remain in the current organisms. Almost any

scenario is formally possible, but what makes one scenario more likely than another is parsimony-consideration of the number of separate events that are required to have taken place in order to account for it. In other words, a scenario involving fewer events is a more likely explanation of the observed data.

*3.1. Origins of the FUM Gene Cluster in F. verticillioides.* Gene-by-gene phylogenetic analyses were carried out to decipher the evolutionary history of the *FUM* genes using homologs of these genes in four euascomycetes: *Fusarium graminearum*, *Neurospora crassa*, *Magnaporthe grisea*, and *Aspergillus nidulans* (we use the word “homologs” for convenience in situations where we are unsure whether genes are orthologs or paralogs). We also constructed individual phylogenies for the genes located on either side of the *F. verticillioides* *FUM* cluster. Homology relationships between the genes in or near the *F. verticillioides* *FUM* cluster and other euascomycete genes are summarized in Figure 1. We identified probable orthologs of 13 of the 17 *FUM* genes (Figure 1). These genes are not arranged in clusters in the other genomes.

A region of *F. graminearum* chromosome 1 (genes *FG00269–F00276*; Figure 1) contains orthologs of the five genes to the left of the *FUM* cluster (*F. verticillioides* *NPT1*, *WDR1*, *PNG1*, *ZNF1*, and *ZBD1*) immediately adjacent to orthologs of the two genes to the right of the cluster (*F. verticillioides* *ORF21* and *MPU1*), with nothing in between them in *F. graminearum*. Similarly, in *M. grisea* the *ZBD1* ortholog is beside the *ORF21* ortholog, and in *A. nidulans* the *PNG1* ortholog is beside the *ORF21* ortholog. Thus, chromosomal sites orthologous to the *F. verticillioides* *FUM* cluster-flanking regions exist adjacent to one another in *F. graminearum*, *M. grisea*, and *A. nidulans*, but no orthologs of the *FUM* genes themselves are found at these sites (Figure 1). Instead, homologs of the *FUM* genes are scattered on different chromosomes of the genomes of these fumonisin-nonproducing species. In *F. graminearum*, for instance, the 10 homologs of *FUM* genes are dispersed across four chromosomes and none of them is located close to another or to the *FUM*-flanking genes. Thus the *FUM* cluster genes appear to have been inserted into a pre-existing genomic locus between *ZBD1* and *ORF21*.

Further, we examined the genomic contexts around each of the *FUM* cluster homologs in other species. For example, the *F. verticillioides* *FUM* cluster gene *FUM11* is homologous to *FG07875* in *F. graminearum* and to *MG03479* in *M. grisea* (Figure 1). We will refer to *FG07875* and *MG03479* as focal genes. When we examine the regions around these focal genes in the *F. graminearum* and *M. grisea* genomes, we find that some of the neighboring genes near them are also orthologs of each other. On one side *FG07874* (1 gene away from the focal gene) is an ortholog of *MG03474* (5 genes away), and on the other side *FG07864* (11 genes away from the focal gene) is an ortholog of *MG03480* (1 gene away from the focal gene). In Figure 1, only the focal genes are shown but these similarities of context are indicated by the

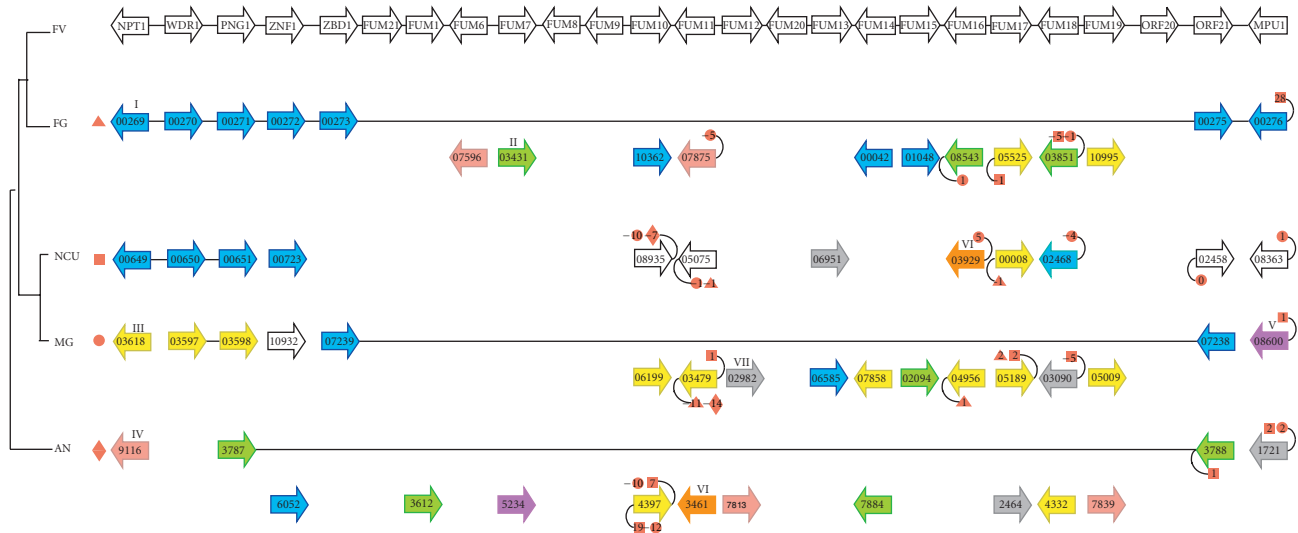


FIGURE 1: Representation of the fumonisin cluster and its flanking genes in *F. verticillioides* (FV). Columns are homologs of the FUM genes and orthologs of the flanking genes identified by phylogenetic analysis in *F. graminearum* (FG), *N. crassa* (NCU), *M. grisea* (MG), and *A. nidulans* (AN). Genes in the latter four species are identified by gene numbers from their genome projects. Different colors represent different chromosomes. The long lines in *F. graminearum*, *M. grisea*, and *A. nidulans* show that in those species, there is a site in the genome that corresponds to the FUM cluster location, but no FUM genes are present at that locus. Curved lines and numbers in orange symbols indicate conservation of the neighboring genes around FUM homologs in *F. graminearum*, *N. crassa*, *M. grisea*, and *A. nidulans*. For each gene show in the figure (the focal genes) we considered the two genes immediately next to it. If these genes have orthologs located <20 genes away from the focal gene's ortholog in another species, a symbol indicates this fact. For example, the numbers -10 (in a circle) and -7 (in a diamond) connected to gene NCU08935 indicate that the gene immediately after NCU08935 (i.e., NCU08936) has an ortholog in *M. grisea* that is 10 genes away from MG06199 (i.e., MG06189), and an ortholog in *A. nidulans* that is 7 genes away from AN04397 (i.e., AN04392). Triangles, squares, circles, and diamonds indicate relationships to *F. graminearum*, *N. crassa*, *M. grisea*, and *A. nidulans*, respectively.

small numbers at the ends of the curved lines attached to the symbols for the focal genes *FG07875* and *MG03479*.

Overall, the homologs of five FUM cluster genes (*FUM10*, *FUM11*, *FUM16*, *FUM17*, and *FUM18*) show some degree of local synteny conservation among the four species that do not contain FUM clusters. In other words, each of these genes is in a conserved location among some of the four species, and these locations are not close to one another.

The phylogenetic trees obtained from individual FUM genes are shown in Figure 2 (for *FUM6* and *FUM15*) and supplemental 1 available on line at doi:10.4061/2011/423821 (for the other genes). The trees present a diversity of topologies, such that no one sentence story can explain the origin of the FUM cluster. One cannot expect all the FUM gene trees to have identical topologies—especially given the possibility that different genes have been subject to very different evolutionary constraints—but even still the diversity of topologies is surprising. To interpret these trees, we consider four possible scenarios for the origin of the cluster (Figure 3), and what tree topologies they would predict. To evaluate these scenarios, we concentrate on the FUM genes that are present in both *F. verticillioides* and *A. niger* (*FUM1*, *FUM6*, *FUM7*, *FUM8*, *FUM9*, *FUM10*, *FUM13*, *FUM14*, *FUM15*, and *FUM19*). Below, we discuss these four scenarios.

*Scenario 1 (vertical inheritance of an ancestral cluster).* This scenario is illustrated schematically in Figure 3(a).

According to it, a cluster existed in the common ancestor of Sordariomycetes (i.e., *F. verticillioides*, *F. graminearum*, *N. crassa*, and *M. grisea*). This cluster became duplicated in this ancestor, and then one copy disintegrated, dispersing its genes around the genome. *F. verticillioides* retained both the cluster and the scattered genes, whereas the other Sordariomycete species retained only the scattered genes.

Support for this scenario comes from some trees (*Fum6*, *Fum10*, *Fum15*, and *Fum19*) which show that the FUM genes have duplicates in *F. verticillioides*, but are single copy in non-producing fumonisin species. A duplication in the common ancestor of Sordariomycetes is suggested by the trees for some genes (*Fum6*, *Fum13*, and *Fum15*), whereas an older duplication in the common ancestor of Sordariomycetes plus Eurotiomycetes (not as shown in Figure 3(a)) is suggested by the trees for other genes (*Fum7*, *Fum8*, *Fum10*, and *Fum19*).

*Scenario 2 (ancient duplications of scattered genes, followed by recent assembly of a cluster in F. verticillioides).* This scenario is illustrated in Figure 3(b). Scenarios 1 and 2 both require that through evolution numerous independent events of loss have occurred in very distantly related species (for illustration purposes all the losses in Figures 3(a) and 3(b) are placed on the *F. graminearum* branch and in the common ancestor of *N. crassa* and *M. graminearum*, but other combinations or losses on other branches are also possible).

One problem with Scenarios 1 and 2 is that, according to the phylogenies of *Fum7*, *Fum10*, *Fum15*, and *Fum19*,

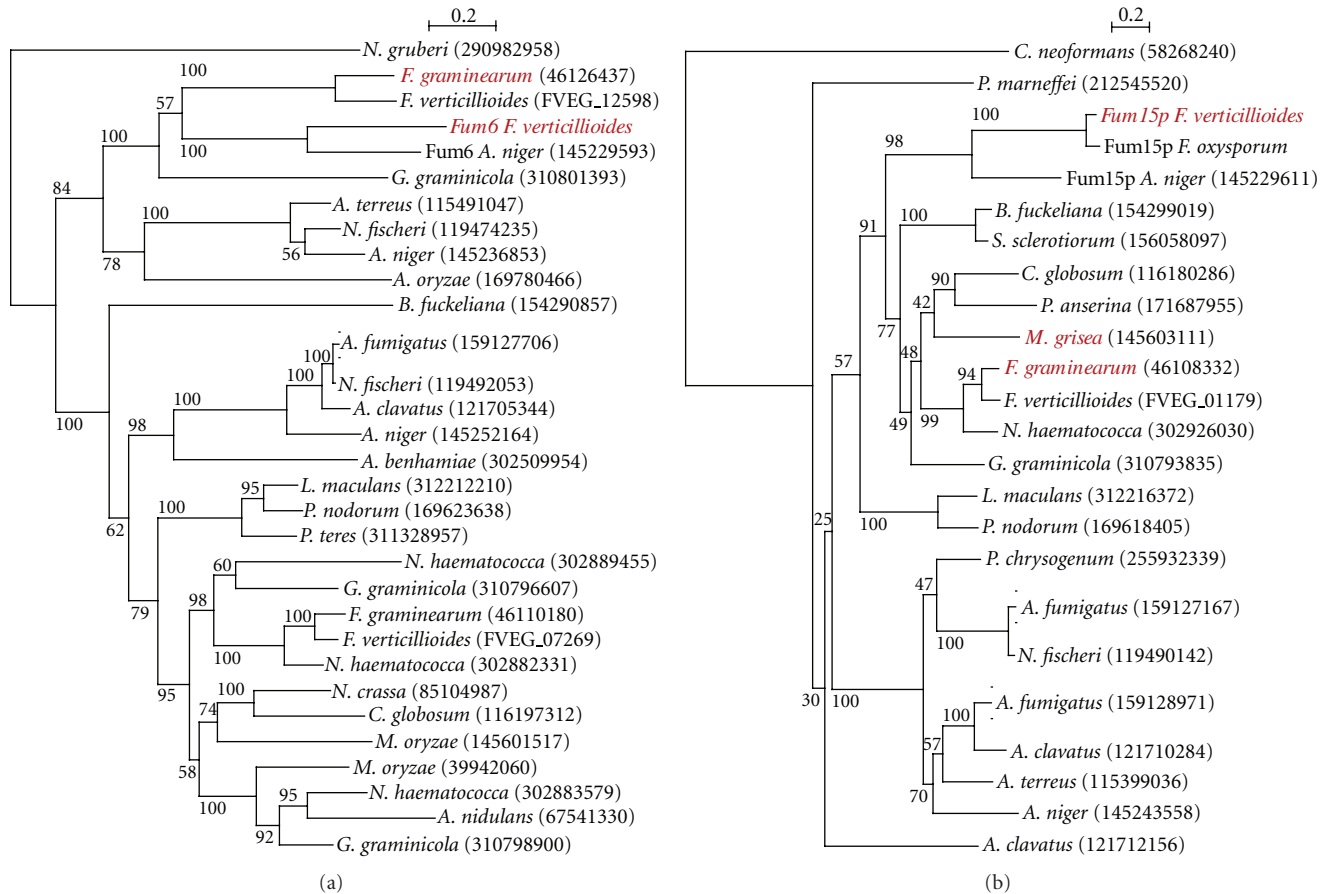


FIGURE 2: Maximum likelihood trees for FUM6, 15, and their homologs. (a) FUM6; (b) FUM15. In each tree, genes that appear in Figure 1 are named in red. The species name and the NCBI ID are provided on each branch. Bootstrap percentages are shown for all nodes. Trees were constructed from amino acid sequences as described in Section 2 using PHYML after alignment with ClustalW.

the duplicates retained in all the fumonisin-nonproducing Sordariomycetes are coincidentally always the same copy (as illustrated by the parallel losses of multiple green genes, but not pink ones, in Figures 3(a) and 3(b)). This can be visualized in the trees by the fact that the homologs of the *FUM* genes in fumonisin-non-producing species are orthologs of each other, showing a more or less typical species phylogeny. If the second copy in *F. graminearum*, *M. grisea*, or *N. crassa* (the one represented in green dots in Figures 3(a) and 3(b) had been retained, this copy would be closer to the *FUM* gene than to genes in the fumonisin-non-producing species, which is not what we observe. Together these observations make both Scenarios 1 and 2 very unlikely.

*Scenario 3 (FUM gene duplication and cluster assembly specifically on the branch leading to F. verticillioides and the GFSC).* The specificity of the *FUM* cluster to the *Gibberella fujikuroi* species complex (GFSC, which includes *F. verticillioides*, *F. oxysporum*, and *F. proliferatum*) points towards a complex-specific cluster. This scenario is shown in Figure 3(c). It proposes that the *FUM* cluster was built in an ancestor of *F. verticillioides* after its speciation from *F. graminearum*. Most of the gene trees do not support this model, because

with the exception of two genes (*Fum10* and *Fum19*) no homolog of a *FUM* gene has remained in *F. verticillioides*. Although the trees for *Fum6* and *Fum15* show homologs in *F. verticillioides*, the duplications in these cases greatly precede the origin of the GFSC clade.

The numbers of steps required for the different scenarios in Figures 3(a), 3(b), and 3(c) make it more parsimonious to argue that the *FUM* cluster became assembled in an ancestor of *F. verticillioides* (Figure 3(c)) than to argue that either the cluster or the individual genes underwent early duplication and then got lost multiple times (Figures 3(a) and 3(b)). Additionally, as explained above, Figures 3(a) and 3(b) would also imply that the same copy of the duplicates in the fumonisin-non-producing species were independently retained (a minimum of two independent retentions of the same copy are required: one on the *F. graminearum* lineage, and one in the common ancestor of *N. crassa* and *M. grisea*, pink genes in Figures 3(a) and 3(b)).

The hypothesis of assembly requires that each gene transposed once, from an ancestral location, to its current location in *F. verticillioides*. The genes must have been sequentially relocated, with selection for each step.



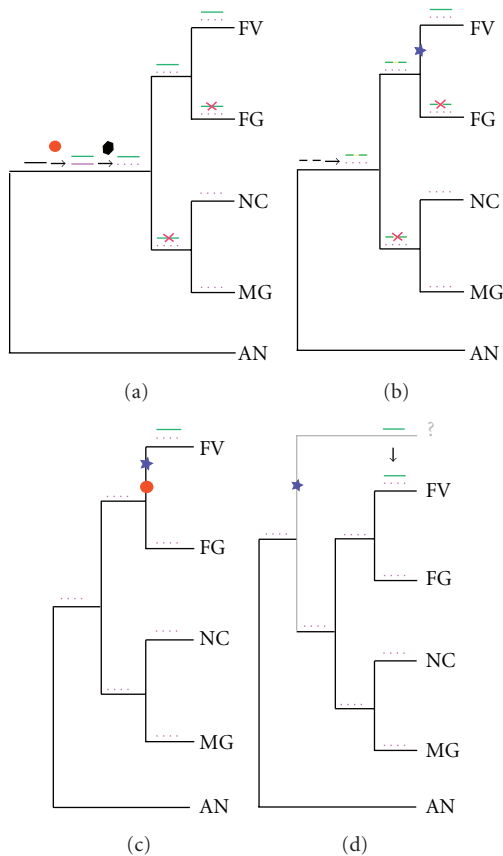


FIGURE 3: The four most likely scenarios giving rise to the current fumonisin cluster in *F. verticillioides*. The species represented on all four trees are: *F. verticillioides* (FV), *F. graminearum* (FG), *N. crassa* (NCU), *M. grisea* (MG), and *A. nidulans* (AN). A red circle represents a duplication event. A blue star represents an assembly and clustering event, while a disassembly is shown using a black square. Red crosses indicate a loss event. When the FUM genes, or their ancestral genes, are clustered they are represented by a short line. The line is dashed if the genes are not clustered. Two colors are assigned to the duplicated genes and green genes are ancestors of the FUM genes (or the current FUM genes), while pink genes are the paralogs of FUM genes (ones found in all other Sordariomycetes). (a) represents the vertical transfer where the ancestor possessed a version of the FUM cluster. (b) The ancestor in this scenario contained the ancestral genes of the FUM cluster (scattered). (c) represents a recent event of duplication and assembly of the FUM cluster in an ancestor of *F. verticillioides*. Finally, (d) represents the horizontal gene transfer scenario.

*Scenario 4 (origin of the *F. verticillioides* fum cluster by horizontal transfer from a distantly related fungus).* This scenario is shown in Figure 3(d). Under this scenario the donor could be a Sordariomycete (as suggested by the trees for Fum6, Fum13, and Fum15), or a more distant species that is an outgroup to both Sordariomycetes and Eurotiomycetes (as suggested by Fum7, Fum9, Fum10, and Fum19). Although we cannot identify a specific donor, we cannot rule out this possibility. Indeed this scenario reduces the number of events leading to the current trees. Under this scenario, we would not have multiple losses, nor the

unexpected retention of the same copy in many of the trees (represented in pink in Figure 3(b); Fum7, Fum10, Fum15, and Fum19). This scenario may explain the unexpected phylogenetic positioning of some *FUM* gene outside the expected class of species. For example, in the case of Fum7, Fum 9, Fum 10, Fum13, Fum15, and Fum19 a horizontal gene transfer of the FUM genes into *F. verticillioides* would explain such topologies.

Figure 3(d) illustrates how the horizontal transfer scenario, like the recent assembly hypothesis (Figure 3(c)), reduces the number of independent events necessary to explain the *FUM* cluster. However, the horizontal transfer scenario does not posit any mechanism for the assembly of the cluster; it just shifts the question to how the cluster became assembled in the donor species.

**3.2. The Fumonisin Cluster in *A. niger* Results from Horizontal Gene Transfer.** *A. niger* has been shown to produce fumonisin [13] and contains clustered homologs of many of the *F. verticillioides* FUM genes [21] (Figure 2). Our phylogenetic analysis illuminates the origin of this cluster in *A. niger* and how it relates to the cluster in *F. verticillioides* (phylogenetic trees in Figure 2 and Supplemental Figure 1).

The first trend evident from this phylogenetic analysis is that genes from the *FUM* cluster in *F. verticillioides*, *F. oxysporum*, and *A. niger* define clades supported by high bootstrap values (>90%, Figure 2), to the exclusion of homologous genes from Sordariomycetes and Eurotiomycetes.

Because we extended our analysis to many species, we were faced with the problem of low bootstrap values for many of the *FUM* genes trees. The two trees shown in Figure 2(b) (*FUM6* and *FUM15*) are the ones with the high bootstrap support for relevant branches, and a reasonably correct species phylogeny. Our analysis shows that both these genes in *A. niger* clearly group with genes from the Sordariomycetes, rather than with genes in the more closely related (Eurotiomycetes) species including other *A. niger* genes. Bootstrap values for grouping the *A. niger* FUM genes with the Sordariomycete homologs are 98–100% (Figure 2).

The disagreement of this result with the expected *A. niger* species relationships, are suggestive of horizontal gene transfer between *A. niger* and an ancestor existing prior to the divergence of *F. verticillioides* and *F. oxysporum*. More importantly, it is more likely that the transfer occurred from Sordariomycetes to *A. niger* (or an ancestor of this species), rather than the opposite. Indeed, the opposite would result in the *FUM* genes (from *F. verticillioides*, *F. oxysporum*, and *A. niger*) clustering in the Eurotiomycetes subphylum as opposed to the Sordariomycetes as seen in Figure 2. For the *FUM6* and *FUM15* trees, we used the likelihood ratio test (LRT) to test whether the topologies shown (Figure 2) have significantly higher likelihoods than alternative trees where the *A. niger* was placed in the Eurotiomycetes and constrained to form a monophyletic group. In both cases the topology shown in Figure 2 is significantly more likely than the tree expected if genes were inherited vertically ( $P < .001$  for each).

Because the clusters in *A. niger* and in *F. verticillioides* share only 11 of the 17 known *FUM* genes (including *FUM21*), these two types of cluster have probably had a long history of independent evolution, although they certainly share a common ancestor. We conclude that the cluster in *A. niger* originated by horizontal transfer from an ancestor of *F. verticillioides* and *F. oxysporum*.

#### 4. Discussion

In the literature three scenarios for the creation of a gene cluster have been described: horizontal of an existing cluster from one genome to another [30, 31]; the duplication of an ancestral cluster [31]; the *de novo* creation of a cluster from initially scattered genes that become relocated into one locus [4]. We find that the *FUM* genes are apparent duplicates of conserved genes in Sordariomycetes (Figures 1 and 2). We think that two of the scenarios we discussed could plausibly account for the observed data. First, the *FUM* cluster could be the result of horizontal cluster transfer into an ancestor of *F. verticillioides* (Scenario 4). This scenario is similar to our observation of the *ACE1* cluster in *A. clavatus* [31], and the more recent observation of the horizontal gene transfer of the sterigmatocystin cluster [32]. Secondly, the *FUM* cluster may have been assembled after recent gene duplication in an ancestor of *F. verticillioides* (Scenario 3). The latter scenario resembles our previous observations on the *DAL* gene cluster of *S. cerevisiae* [4], though it should be noted that the *DAL* genes code for a catabolic pathway (degradation of allantoin, a secondary nitrogen source), whereas the *FUM* genes are part of an anabolic pathway (secondary metabolite biosynthesis).

On the other hand we propose that the fumonisin cluster in *A. niger* was acquired via horizontal gene transfer. It has been shown in recent years that horizontal gene transfer between filamentous fungi is more common than was originally thought. Many independent genes can transfer between distantly related species such as that observed between and ancestor of *A. oryzae* and Sordariomycetes [33]; also an entire secondary metabolite cluster has been shown to have horizontally transferred between a relative of *M. grisea* into an ancestor of *A. clavatus* [31]. Here again this finding adds to the repertoire of horizontally transferred genes between fungal species and shows that this exchange mechanism is not so uncommon after all. Moreover it shows how an entire cluster can transfer between distantly related species and remain functional in the new species. In addition, the differences between the *A. niger* and *F. verticillioides* *Fum* clusters highlights how a cluster can diverge by adding, removing, or reshuffling the genes.

Our lack of knowledge about what benefit the metabolite confers on the organism hampers our understanding of the selective purpose of this clustering. However, we can be almost certain that the reason behind the clustering is not simply to synthesize the metabolite, which is possible with scattered genes. It is more likely that the selective force involves selection for a tight coregulation of gene expression, perhaps mediated by a LaeA-type universal regulator.

Competition, either between one fungal species and another, or between a fungus and a host species, is likely to result in strong selection on the secondary metabolite repertoire of filamentous fungal species. This arms race between organisms pressurizes the organism to create new chemical weapons, which are the products of new secondary metabolite gene clusters. It is relatively easy to envisage that neofunctionalization after gene duplication, or partial cluster duplication as appears to have happened in the origins of the *Ace1* cluster [31], could result in the production of a new secondary metabolite and so could be selectively advantageous. It is harder to understand why relocating genes, as has happened in the *FUM* cluster, can be evolutionarily advantageous. One possibility is that the mere act of relocating a gene can have the consequence of changing the end product of a pathway, because the expression of all the genes in a cluster is coordinated. For example, imagine that we have two secondary metabolite biosynthesis pathways, 1 and 2. If a cytochrome P450 oxidoreductase gene that originally functioned in pathway 1 is suddenly relocated so that it becomes coexpressed with the genes in pathway 2 (and no longer co-expressed with pathway 1), it is possible that its product could begin to act on one of the intermediate molecules in pathway 2. The result would be that the products of pathways 1 and 2 are both changed. Alternative possibilities include that there is selection for tighter regulation (e.g., if an intermediate molecule in the pathway is toxic), or that there is epistatic selection for tight linkage between interacting alleles [34].

#### Acknowledgment

The authors would like to thank the reviewers for their valuable comments and suggestions.

#### References

- [1] L. D. Hurst, C. Pál, and M. J. Lercher, "The evolutionary dynamics of eukaryotic gene order," *Nature Reviews Genetics*, vol. 5, no. 4, pp. 299–310, 2004.
- [2] L. D. Hurst, E. J. B. Williams, and C. Pál, "Natural selection promotes the conservation of linkage of co-expressed genes," *Trends in Genetics*, vol. 18, no. 12, pp. 604–606, 2002.
- [3] G. A. C. Singer, A. T. Lloyd, L. B. Huminiacki, and K. H. Wolfe, "Clusters of co-expressed genes in mammalian genomes are conserved by natural selection," *Molecular Biology and Evolution*, vol. 22, no. 3, pp. 767–775, 2005.
- [4] S. Wong and K. H. Wolfe, "Birth of a metabolic gene cluster in yeast by adaptive gene relocation," *Nature Genetics*, vol. 37, no. 7, pp. 777–782, 2005.
- [5] B. Field and A. E. Osbourn, "Metabolic diversification— independent assembly of operon-like gene clusters in different plants," *Science*, vol. 320, no. 5875, pp. 543–547, 2008.
- [6] X. Qi, S. Bakht, M. Leggett, C. Maxwell, R. Melton, and A. Osbourn, "A gene cluster for secondary metabolism in oat: implications for the evolution of metabolic diversity in plants," *Proceedings of the National Academy of Sciences of the United States of America*, vol. 101, no. 21, pp. 8233–8238, 2004.
- [7] N. H. Giles, M. E. Case, and J. Baum, "Gene organization and regulation in the qa (quinic acid) gene cluster of *Neurospora*

- crassa," *Microbiological Reviews*, vol. 49, no. 3, pp. 338–358, 1985.
- [8] E. P. Hull, P. M. Green, H. N. Arst, and C. Scazzocchio, "Cloning and physical characterization of the L-proline catabolism gene cluster of *Aspergillus nidulans*," *Molecular Microbiology*, vol. 3, no. 4, pp. 553–559, 1989.
- [9] N. P. Keller and T. M. Hohn, "Metabolic pathway gene clusters in filamentous fungi," *Fungal Genetics and Biology*, vol. 21, no. 1, pp. 17–29, 1997.
- [10] J. W. Cary, P.-K. Chang, and D. Bhatnagar, "Clustered metabolic pathway genes in filamentous fungi," in *Applied Mycology and Biotechnology*, G. G. Khachatourians and D. K. Arora, Eds., pp. 165–198, Elsevier, Amsterdam, The Netherlands, 2001.
- [11] D. W. Brown, J. H. Yu, H. S. Kelkar et al., "Twenty-five coregulated transcripts define a sterigmatocystin gene cluster in *Aspergillus nidulans*," *Proceedings of the National Academy of Sciences of the United States of America*, vol. 93, no. 4, pp. 1418–1422, 1996.
- [12] R. H. Proctor, D. W. Brown, R. D. Plattner, and A. E. Desjardins, "Co-expression of 15 contiguous genes delineates a fumonisin biosynthetic gene cluster in *Gibberella moniliformis*," *Fungal Genetics and Biology*, vol. 38, no. 2, pp. 237–249, 2003.
- [13] D. W. Brown, R. A. E. Butchko, M. Busman, and R. H. Proctor, "The *Fusarium verticillioides* FUM gene cluster encodes a Zn(II)2Cys6 protein that affects FUM gene expression and fumonisin production," *Eukaryotic Cell*, vol. 6, no. 7, pp. 1210–1218, 2007.
- [14] D. W. Brown, R. B. Dyer, S. P. McCormick, D. F. Kendra, and R. D. Plattner, "Functional demarcation of the *Fusarium* core trichothecene gene cluster," *Fungal Genetics and Biology*, vol. 41, no. 4, pp. 454–462, 2004.
- [15] N. P. Keller, G. Turner, and J. W. Bennett, "Fungal secondary metabolism—from biochemistry to genomics," *Nature Reviews Microbiology*, vol. 3, no. 12, pp. 937–947, 2005.
- [16] U. L. Rosewich and H. C. Kistler, "Role of horizontal gene transfer in the evolution of fungi," *Annual Review of Phytopathology*, vol. 38, pp. 325–363, 2000.
- [17] N. Khaldi, F. T. Seifuddin, G. Turner et al., "SMURF: genomic mapping of fungal secondary metabolite clusters," *Fungal Genetics and Biology*, vol. 47, no. 9, pp. 736–741, 2010.
- [18] C. Waalwijk, T. Van Der Lee, I. De Vries, T. Hesselink, J. Arts, and G. H. J. Kema, "Synteny in toxigenic *Fusarium* species: the fumonisin gene cluster and the mating type region as examples," *European Journal of Plant Pathology*, vol. 110, no. 5-6, pp. 533–544, 2004.
- [19] R. H. Proctor, R. D. Plattner, D. W. Brown, J. A. Seo, and Y. W. Lee, "Discontinuous distribution of fumonisin biosynthetic genes in the *Gibberella fujikuroi* species complex," *Mycological Research*, vol. 108, no. 7, pp. 815–822, 2004.
- [20] J. C. Frisvad, J. Smedsgaard, R. A. Samson, T. O. Larsen, and U. Thrane, "Fumonisin B production by *Aspergillus niger*," *Journal of Agricultural and Food Chemistry*, vol. 55, no. 23, pp. 9727–9732, 2007.
- [21] S. E. Baker, "*Aspergillus niger* genomics: past, present and into the future," *Medical Mycology*, vol. 44, no. 1, pp. 17–21, 2006.
- [22] J. E. Galagan, S. E. Calvo, C. Cuomo et al., "Sequencing of *Aspergillus nidulans* and comparative analysis with *A. fumigatus* and *A. oryzae*," *Nature*, vol. 438, no. 7071, pp. 1105–1115, 2005.
- [23] C. A. Cuomo, U. Guldener, J.-R. Xu et al., "The *Fusarium graminearum* genome reveals a link between localized polymorphism and pathogen specialization," *Science*, vol. 317, no. 5843, pp. 1400–1402, 2007.
- [24] R. A. Dean, N. J. Talbot, D. J. Ebbole et al., "The genome sequence of the rice blast fungus *Magnaporthe grisea*," *Nature*, vol. 434, no. 7036, pp. 980–986, 2005.
- [25] J. E. Galagan, S. E. Calvo, K. A. Borkovich et al., "The genome sequence of the filamentous fungus *Neurospora crassa*," *Nature*, vol. 422, no. 6934, pp. 859–868, 2003.
- [26] D. W. Brown, F. Cheung, R. H. Proctor et al., "Comparative analysis of 87,000 expressed sequence tags from the fumonisin-producing fungus *Fusarium verticillioides*," *Fungal Genetics and Biology*, vol. 42, no. 10, pp. 848–861, 2005.
- [27] J. D. Thompson, D. G. Higgins, and T. J. Gibson, "CLUSTAL W: improving the sensitivity of progressive multiple sequence alignment through sequence weighting, position-specific gap penalties and weight matrix choice," *Nucleic Acids Research*, vol. 22, no. 22, pp. 4673–4680, 1994.
- [28] J. Castresana, "Selection of conserved blocks from multiple alignments for their use in phylogenetic analysis," *Molecular Biology and Evolution*, vol. 17, no. 4, pp. 540–552, 2000.
- [29] S. Guindon and O. Gascuel, "A simple, fast, and accurate algorithm to estimate large phylogenies by maximum likelihood," *Systematic Biology*, vol. 52, no. 5, pp. 696–704, 2003.
- [30] N. J. Patron, R. F. Waller, A. J. Cozijnsen et al., "Origin and distribution of epipolythiodioxopiperazine (ETP) gene clusters in filamentous ascomycetes," *BMC Evolutionary Biology*, vol. 7, article 174, 2007.
- [31] N. Khaldi, J. Collemare, M. H. Lebrun, and K. H. Wolfe, "Evidence for horizontal transfer of a secondary metabolite gene cluster between fungi," *Genome Biology*, vol. 9, no. 1, article R18, 2008.
- [32] J. C. Slot and A. Rokas, "Horizontal transfer of a large and highly toxic secondary metabolic gene cluster between fungi," *Current Biology*, vol. 21, no. 2, pp. 134–139, 2011.
- [33] N. Khaldi and K. H. Wolfe, "Elusive origins of the extra genes in *Aspergillus oryzae*," *PLoS ONE*, vol. 3, no. 8, article e3036, 2008.
- [34] M. Nei, "Modification of linkage intensity by natural selection," *Genetics*, vol. 57, no. 3, pp. 625–641, 1967.